

ENGINEERING  
TOMORROW

*Danfoss*

CTR 3-Way Heat Reclaim Valve

**Reclaim the heat** that is  
**already paid** for in your  
refrigeration system



**Easy**

way to benefit from  
the excess heat of  
the system

[food-retail.danfoss.com](http://food-retail.danfoss.com)

# Simple, Serviceable and Safe

The CTR 3-way heat reclaim valve is designed to allow full proportional control of the surplus heat from compressor pack into the heat exchanger of transcritical heat reclaim solutions, securing availability of heat and hot water.

The CTR valve prevents pressure peaks eliminating costly system down-time and the risk of insufficient heat supply for store heating and hot water, regardless the installation size.

The cartridge design of the component means that all functional parts are easy to service and replace using only a spanner. The valve features combi connections allowing for both solder/braze and welding

## Technical Data

Ports:	2 inlets and 1 outlet - 1 inlet and 2 outlets <b>added advantage</b>
Positions:	on / off, and Proportional opening (both inlets open)
Refrigerant:	R744
Oil types:	PAG / POE
MWP/Refrigerant:	140 bar / 2030 psi
MOPD:	3 bar / 43 psi
Allowed refrigerant temperature range:	0 – 150 °C / 32 – 302 °F
Serviceable:	Yes
IP rating of electric connection:	67
Closing/opening time:	88 secs.
Step rate (current control):	75 step / sec.
Recommended controller/driver:	AK-XM 208C, EKD 316C, EKD 316

## Ordering

Type	Connections (Combi)		Value		Code number
	Weld* [in]	Solder ODF X ODF [in]	K <sub>v</sub>	C <sub>v</sub>	Single Pack
CTR 20	1	1 1/8	20	23.12	027H7244

\*OD according to EN 10220

## Related Products

Get the best out of your transcritical CO<sub>2</sub> system with Danfoss ADAP-KOOL® solutions.



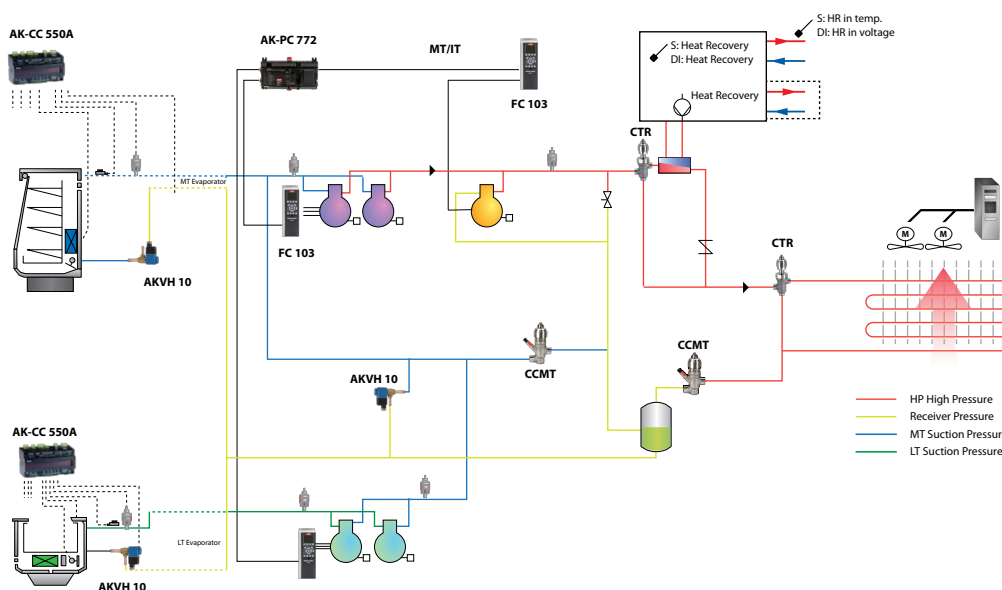
AK-PC 772/781  
Capacity Controller



AK-XM 208C  
Electronic Driver



EKD 316 / EKD 316C  
Superheat Controller



*Transcritical booster application featuring parallel compression with full proportional control of heat reclaim and gas cooler by pass option through the CTR 3-way heat reclaim valve*



Visit  
[ctr.danfoss.com](http://ctr.danfoss.com)