



DAS HERZ DER FRISCHE

# OPERATING INSTRUCTIONS

BETRIEBSANLEITUNG

INSTRUCTION DE SERVICE

CB-110-1

<b>VARIPACK IP55/66 - External BITZER Frequency Inverters (FI)</b> Translation of the original operating instructions English.....	<b>2</b>
<b>VARIPACK IP55/66 - Externe BITZER Frequenzumrichter (FU)</b> Originalbetriebsanleitung Deutsch .....	<b>41</b>
<b>VARIPACK IP55/66 – Convertisseurs de fréquences externes (CF) BITZER</b> Traduction des instructions de service d'origine Français.....	<b>82</b>

FMY+6-4	FPW+61-4
FMY+10-4	FPW+72-4
FMY+14-4	FPW+90-4
FNY+18-4	FQW+110-4
FNY+24-4	FQW+150-4
FNY+30-4	FQW+180-4
FOY+39-4	FRW+202-4
FOY+46-4	FRW+240-4
	FRW+302-4

Document for electrically skilled installers  
Dokument für elektrisch unterwiesene Monteure  
Document pour des monteurs instrués électriquement



## Table of contents

<b>1 Introduction</b>	<b>3</b>
<b>2 Safety</b>	<b>3</b>
2.1 Authorized staff	3
2.2 Residual risks	3
2.3 Personal protective equipment	3
2.4 Safety references	3
2.4.1 General safety references	3
<b>3 Technical data</b>	<b>4</b>
<b>4 Mounting</b>	<b>5</b>
4.1 Transport and storage	6
4.2 Ventilation	6
4.3 Dimensional drawings	7
<b>5 Electrical connection</b>	<b>8</b>
5.1 ECO design IEC61800-9-2	9
5.2 Cable cross-sections, tightening torques and fuses	10
5.3 Connector cover removal	11
5.4 Earth connection	11
5.5 Information for UL compliance	11
5.6 Power connections (voltage supply cable and motor cable)	12
5.7 Control connections (inputs and outputs)	13
5.8 Operating modes	14
5.8.1 Setpoint input selection	14
5.8.2 Capacity control of the compressor depending on an external setpoint signal (P2-27)	14
5.8.3 Capacity control of the compressor as a function of the evaporation pressure	15
5.9 Electromagnetic compatibility (EMC)	16
5.9.1 Analysis of harmonics	18
5.10 Safe Torque Off (STO)	19
5.11 Schematic wiring diagrams	22
<b>6 Control functions</b>	<b>30</b>
6.1 Extension module for pressure control	31
<b>7 Commissioning</b>	<b>33</b>
<b>8 Operation</b>	<b>34</b>
<b>9 Fault messages and monitoring functions</b>	<b>40</b>
<b>10 Maintenance</b>	<b>40</b>

## 1 Introduction

The VARIPACK frequency inverters (FI) have been developed for use in refrigeration, especially for capacity control of BITZER compressors. In addition to speed control, the VARIPACK frequency inverters can also take over control functions of the refrigeration system.

These Operating Instructions describe the BITZER VARIPACK frequency inverters for refrigeration compressors. For further information on programming the Modbus RTU interface, see BEST SOFTWARE.

The VARIPACK frequency inverters have been built in accordance with state-of-the-art methods and current regulations. Particular importance has been placed on user safety. The supplied Operating Instructions CB-111 must be kept available in the vicinity of the VARIPACK frequency inverter!

## 2 Safety

### 2.1 Authorized staff

All work done on frequency inverters may only be performed by qualified and authorized staff who have been trained and instructed accordingly. Local regulations and guidelines apply with respect to the staff's qualification and expertise.

### 2.2 Residual risks

The products, electronic accessories and further system components may present unavoidable residual risks. Therefore, any person working on it must carefully read this document! The following are mandatory:

- relevant safety regulations and standards
- generally accepted safety rules
- EU directives
- national regulations and safety standards

Example of applicable standards: EN378, EN60204, EN60335, EN ISO14120, ISO5149, IEC60204, IEC60335, ASHRAE 15, NEC, UL standards.

### 2.3 Personal protective equipment

When working on systems and their components: Wear protective work shoes, protective clothing and safety goggles. In addition, wear cold-protective gloves when working on the open refrigeration circuit and on components that may contain refrigerant.



Fig. 1: Wear personal protective equipment!

### 2.4 Safety references

Safety references are instructions intended to prevent hazards. They must be stringently observed!



#### NOTICE

Safety reference to avoid situations which may result in damage to a device or its equipment.



#### CAUTION

Safety reference to avoid a potentially hazardous situation which may result in minor or moderate injury.



#### WARNING

Safety reference to avoid a potentially hazardous situation which could result in death or serious injury.



#### DANGER

Safety reference to avoid an imminently hazardous situation which may result in death or serious injury.

#### 2.4.1 General safety references



#### DANGER

Life-threatening voltages inside the frequency inverter housing!



Contact can lead to serious injuries or death. Never open the FI housing in operation! Switch off the main switch and secure it against being switched on again.

Wait for at least 10 minutes until all capacitors have been discharged!

Before switching on again, close the FI housing.



#### DANGER

Wrong or insufficient earthing may result in life-threatening electric shocks upon contact with the frequency inverter!



Earth the complete frequency inverter permanently and check the earth contacts at regular intervals!

Prior to any intervention in the device, check all voltage connections for proper insulation.



**NOTICE**

Risk of frequency inverter failure caused by over-voltage!  
Always disconnect the frequency inverter from the circuit to be tested before any high-voltage tests or an insulation test on lines in operation!



**CAUTION**

In operation, the heat sink of the frequency inverter will get hot.  
Risk of burns upon contact!  
Prior to performing work on the frequency inverter, disconnect the power supply and wait for at least 15 minutes until the heat sink has cooled down.



**3 Technical data**

<b>VARIPACK frequency inverter</b>	
Operating voltage	380 .. 480 V +/- 10% (TN and TT mains supply), 50 ... 60 Hz +/-5%  Operation on IT networks upon request. To obtain compatibility with this network configuration and the network monitoring installed there, the integrated EMC filters must be deactivated and special external filters must be used.  Operation on generators, emergency power units and networks equipped with power factor correction units only after consultation with BITZER.
Leakage current	< 10 mA
Permitted phase asymmetry	maximum 3%
Enclosure class	Enclosure rating - IP55 and IP66 (NEMA 4X) Overvoltage category III
Storage	-40°C .. +60°C
Place of installation	<ul style="list-style-type: none"> <li>Permitted ambient temperature: -10°C .. +50°C. From 40°C ambient temperature onwards, capacity reduction of 1.5% per degree Celsius for IP55 and 2.5% for IP66 (derating). The selection in the BITZER SOFTWARE can take this directly into account.</li> <li>Permitted relative humidity: max. 95%, non-condensing (EN60721-3-3 classes 3S3 and 3C3).</li> <li>Maximum permitted altitude above sea level: 4000 m. From 1000 m above sea level onwards, capacity reduction by 1% per 100 m (derating). The selection in the BITZER SOFTWARE can take this directly into account.</li> <li>IP55: Environment according to EN60664-4: Pollution degree 2, non-flammable, non-corrosive.  IP66: Environment according to EN60664-4: Pollution degree 4, non-flammable, non-corrosive.</li> </ul>
Vibrations / oscillations	Test according to EN 60068-2-6 (Fc), 10 cycles per axis on each of three mutually perpendicular axes: <ul style="list-style-type: none"> <li>10 Hz &lt; f &lt; 57 Hz sinusoidal amplitude 0.075 mm.</li> <li>57 Hz &lt; f &lt; 150 Hz sinusoidal 1 g.</li> </ul>
Safe Torque Off (STO)	Safe Torque Off is a safety function for the electrical power drive, Safe Torque Off (STO).
EMC	The compressor with frequency inverter (FI) meets the EU EMC directive 2014/30/EU, see chapter Electromagnetic compatibility (EMC), page 16.

The selection and assignment of the VARIPACK frequency inverters to the BITZER reciprocating com-

pressors is done by means of the BITZER SOFTWARE using the ACCESSORIES button.

## Nominal value table

380 ... 480 V (+/- 10%), 3-phase input, 3-phase output

Type	Weight	Rated capacity		Rated input current	Rated output current	Special features
	kg	kW	PS	A	A	C2 EMC filter
FMY+6-4	4.8	2.2	3	4.7	5.8	Integrated
FMY+10-4	4.8	4	5	7.7	9.5	Integrated
FMY+14-4	4.8	5.5	7.5	11.4	14	Integrated
FNY+18-4	7.7	7.5	10	15	18	Integrated
FNY+24-4	7.7	11	15	20.5	24	Integrated
FNY+30-4	7.7	15	20	25.3	30	Integrated
FOY+39-4	9.5	18.5	25	35.2	39	Integrated
FOY+46-4	9.5	22	30	42.2	46	Integrated
FPW+61-4	23	30	40	52.3	61	Integrated
FPW+72-4	23	37	50	62.5	72	Integrated
FPW+90-4	23	45	60	79.5	90	Integrated
FQW+110-4	55	55	75	126.4	110	External*
FQW+150-4	55	75	100	164.7	150	External*
FQW+180-4	55	90	150	192.1	180	External*
FRW+202-4	89	110	175	210.8	202	External*
FRW+240-4	89	132	200	241	240	External*
FRW+302-4	89	160	250	299	302	External**

\* External EMC filter for C2 EMC limit: Part number: 347 955 02, designation: FN 3359-250-28

\*\* External EMC filter for C2 EMC limit: Part number: 347 955 03, designation: FN 3359-320-99

## 4 Mounting

- The frequency inverter must be mounted in a vertical position only.
- Installation should be on a suitable flat, flame resistant surface. Do not mount flammable material close to the FI.
- Refer to technical data and ensure the chosen mounting location is within the FI specification.
- The mounting location must be free from vibration.
- Do not mount the FI in any area with excessive humidity, corrosive airborne chemicals or potentially dangerous dust particles.
- Do not mount close to high heat sources.
- The FI must not be mounted in direct sunlight. If necessary, install a suitable shade cover.
- Do not restrict the flow of air through the FI heat sink. The FI generates heat which must be allowed to naturally dissipate. The specified minimum distances around the FI must be observed.

## 4.1 Transport and storage



### NOTICE

Risk of damage to the frequency inverter!  
Do not lift or put down the frequency inverter on the connections.

Place it on clean, flat and dry surfaces only.  
Storage in well-ventilated places only and protected from high temperatures, humidity, dust and metal particles!



### Information

If the FI (FQW and FRW series) has been in storage for more than 2 years, the DC link capacitors must be reformed.

Storage temperature:  $-40^{\circ}\text{C} \dots +60^{\circ}\text{C}$ .

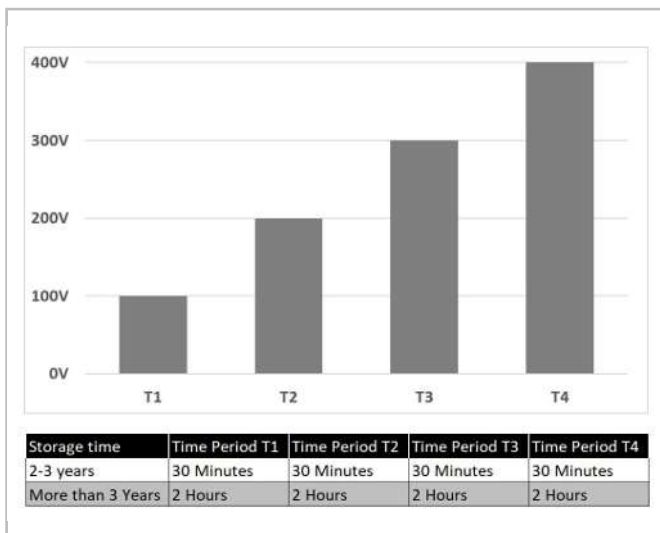


Fig. 2: Reformation

## 4.2 Ventilation



### NOTICE

The frequency inverters give off heat during operation.

Insufficient or blocked air circulation and air supply at the heat sink of the frequency inverter can lead to failure due to overheating!

Observe the minimum clearances for ventilation!

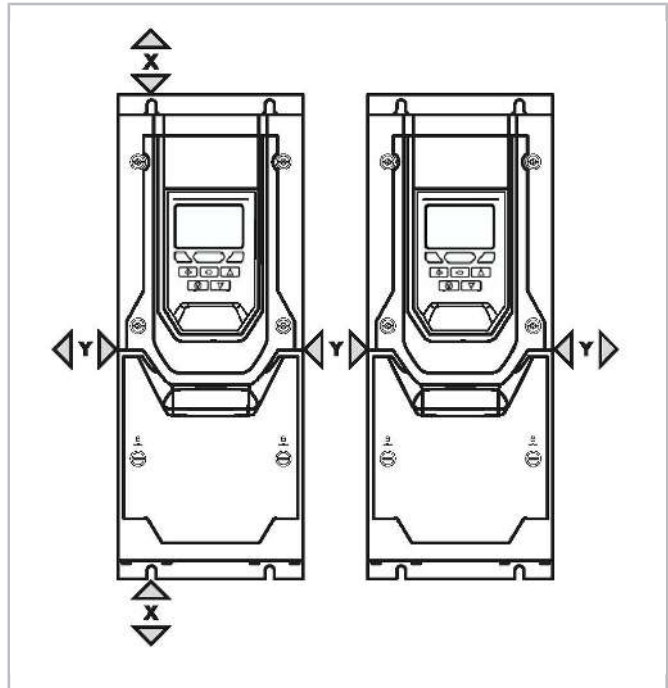


Fig. 3: Minimum ventilation clearances IP55, IP66

Minimum ventilation clearances		
	X	Y
	mm	mm
F.Y	200	10
F.W	200	10

### 4.3 Dimensional drawings

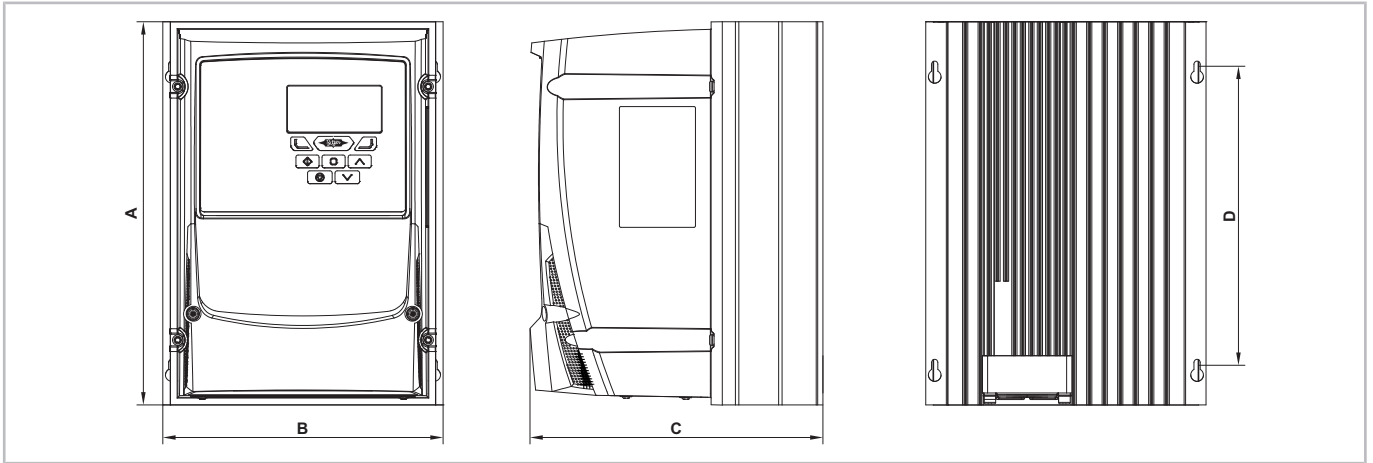


Fig. 4: IP66

	A	B	C	D	E
	mm	mm	mm	mm	mm
FMY+6-4, FMY+10-4	257	188	172	200	176
FMY+14-4	257	188	196	200	176
FNY+18-4, FNY+24-4, FNY+30-4	310	211	225	252	198
FOY+39-4, FOY+46-4	360	240	260	300	227

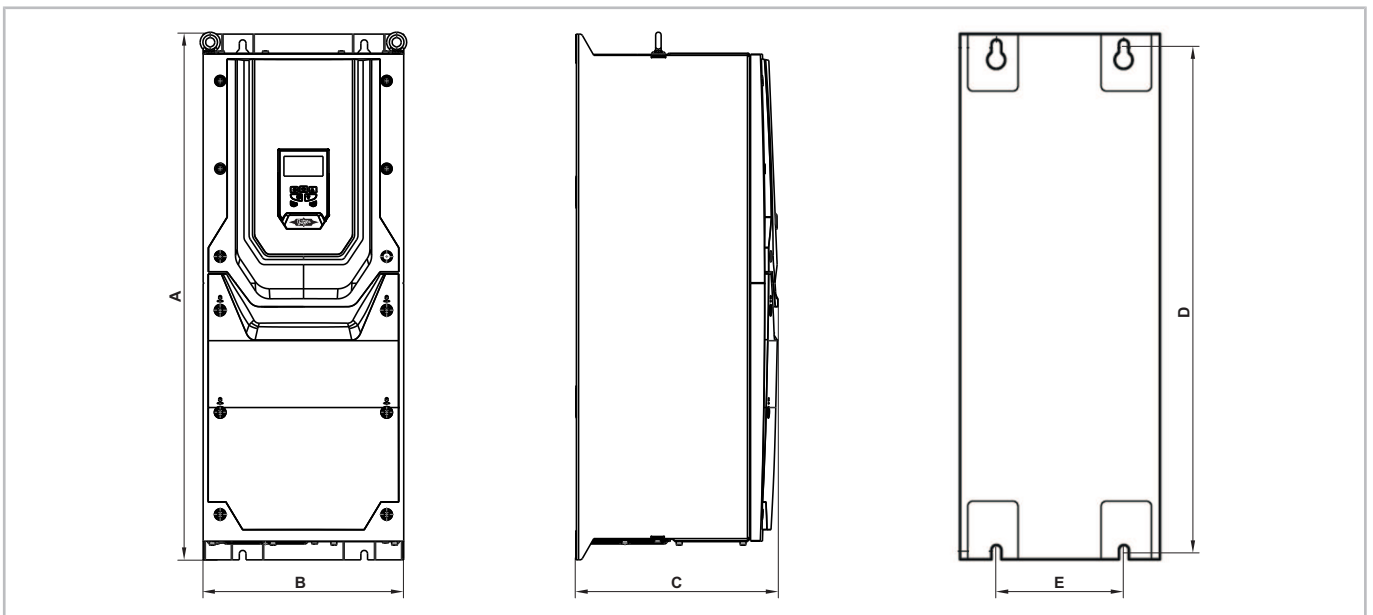


Fig. 5: IP55

	A	B	C	D	E
	mm	mm	mm	mm	mm
FPW+61-4, FPW+72-4, FPW+90-4	540	235	270	520	175
FQW+110-4, FQW+150-4, FQW+180-4	865	330	330	840	200
FRW+202-4, FRW+240-4, FRW+302-4	1280	330	360	1255	200

## 5 Electrical connection

Before performing any work on the electrical system:



### **DANGER**

Life-threatening voltages inside the frequency inverter housing!



Contact can lead to serious injuries or death.  
Never open the FI housing in operation! Switch off the main switch and secure it against being switched on again.  
Wait for at least 10 minutes until all capacitors have been discharged!  
Before switching on again, close the FI housing.



### **DANGER**

As soon as the frequency inverter is energised, the capacitors in the DC link are charged.



From this moment on, all electrical components in the frequency inverter present risks!

The operation of the frequency inverter requires the following electrical connections:

- earth connection.
- power connections (voltage supply cable and motor cable).
- control connections.

For the design of cable cross-sections, tightening torques of earth and power connections and fuses see chapter Cable cross-sections, tightening torques and fuses, page 10. Fuses of type gG (IEC 60269) or UL fuses of type J, T or CC, or thermal overload switches with corresponding characteristics must be used.

A fixed installation is required according to IEC61800-5-1 with a suitable disconnecting device installed between the FI and the AC power source. The disconnecting device must conform to the local safety code / regulations (e.g. within Europe, EN60204-1, Safety of machinery).



## 5.1 ECO design IEC61800-9-2

### IP55

VARIPACK WATTS loss according IEC61800-9-2											
Type	Rated Apparent Output Power (kVA)	IE Class	45 Hz	45 Hz	25 Hz	25 Hz	25 Hz	0 Hz	0 Hz	0Hz	Standby Watts
			100% Load	50% Load	100% Load	50% Load	25% Load	100% Load	50% Load	25% Load	
			Losses %	Losses %	Losses %	Losses %	Losses %	Losses %	Losses %	Losses %	W
VARIPACK IP55, 3Ph. Input, 3Ph. Output, 380-480V 50/60Hz, EMC Filter, TFT Display											
FPW+61-4	42.26	IE2	1.6	0.9	1.8	1.1	0.8	1.8	1.1	0.9	15.3
FPW+72-4	49.88	IE2	1.7	0.9	1.9	1.1	0.8	1.9	1.1	0.8	15.3
FPW+90-4	62.35	IE2	1.8	1.4	2.1	1.1	0.8	1.9	1.1	0.8	15.3
FQW+110-4	76.21	IE2	1.6	0.8	1.3	0.7	0.7	1.1	0.7	0.7	31
FQW+150-4	103.92	IE2	1.6	0.8	1.5	0.8	0.5	1.2	0.7	0.5	31
FQW+180-4	124.71	IE2	1.7	0.9	1.7	0.8	0.5	1.5	0.8	0.5	31
FRW+202-4	139.95	IE2	1.7	0.9	1.6	0.7	0.5	0.1	0.6	0.4	38
FRW+240-4	166.28	IE2	1.6	0.9	1.4	0.8	0.5	1.1	0.6	0.4	38
FRW+302-4	209.23	IE2	1.7	0.9	1.5	0.7	0.5	1.2	0.6	0.5	38

### IP66

VARIPACK WATTS loss according IEC61800-9-2											
Type	Rated Apparent Output Power (kVA)	IE Class	45 Hz	45 Hz	25 Hz	25 Hz	25 Hz	0 Hz	0 Hz	0Hz	Standby Watts
			100% Load	50% Load	100% Load	50% Load	25% Load	100% Load	50% Load	25% Load	
			Losses %	Losses %	Losses %	Losses %	Losses %	Losses %	Losses %	Losses %	W
VARIPACK IP66, 3Ph. Input, 3Ph. Output, 380-480V 50/60Hz, EMC Filter, TFT Display											
FMY+6-4	4.02	IE2	2.1	1.6	2.3	1.8	1.7	2.1	1.6	1.6	15.7
FMY+10-4	6.58	IE2	2.1	2.9	2.2	1.8	1.5	2.1	1.7	1.5	17.1
FMY+14-4	9.7	IE2	1.9	1.1	2	1.3	1.3	1.9	1.1	1.3	18.8
FNY+18-4	12.47	IE2	2.4	1.3	2.2	1.4	1.2	1.9	1.4	1.2	10
FNY+24-4	16.63	IE2	2.5	1.6	3	2	1.7	2.5	1.6	1.7	10.9
FNY+30-4	20.78	IE2	2.7	1.5	3	1.9	1.5	2.7	1.5	1.5	9.4
FOY+39-4	27.02	IE2	1.6	1	1.7	1.1	0.9	1.6	1	0.9	12
FOY+46-4	31.87	IE2	1.8	1	1.9	1.2	1	1.8	1.2	1	11.5

## 5.2 Cable cross-sections, tightening torques and fuses

Size of the FI	Rated input current	Maximum cable cross-sections and tightening torques						Fuses			
		Control terminals		Power terminals		Earth connections		Max. rated fuse current (A)			
	A	mm <sup>2</sup>	Nm	mm <sup>2</sup>	Nm	mm <sup>2</sup>	Nm	Non-UL	UL		
FMY+6-4	4.7	1.5	0.5	8	0.8	M4 ring cable lug	2	6	6		
FMY+10-4	7.7							10	10		
FMY+14-4	11.4							16	15		
FNY+18-4	15							25	20		
FNY+24-4	20.5							25	25		
FNY+30-4	25.3							32	35		
FOY+39-4	35.2			16	2	16	2			50	45
FOY+46-4	42.2									63	60
FPW+61-4	52.3			35	4	35	4	35	4	63	70
FPW+72-4	62.5									80	80
FPW+90-4	79.5									100	100
FQW+110-4	126.4			150	15	150	15	150	15	160	175
FQW+150-4	164.7									200	200
FQW+180-4	192.1									250	250
FRW+202-4	210.8									315	300
FRW+240-4	241									315	300
FRW+302-4	299	400	400								



### Information

Cable sizes shown are the maximum possible that may be connected to the FI. Select cables according to local wiring codes or regulations at the point of installation.

### 5.3 Connector cover removal

Turn the fastening screws of the connector cover counterclockwise and remove the cover.

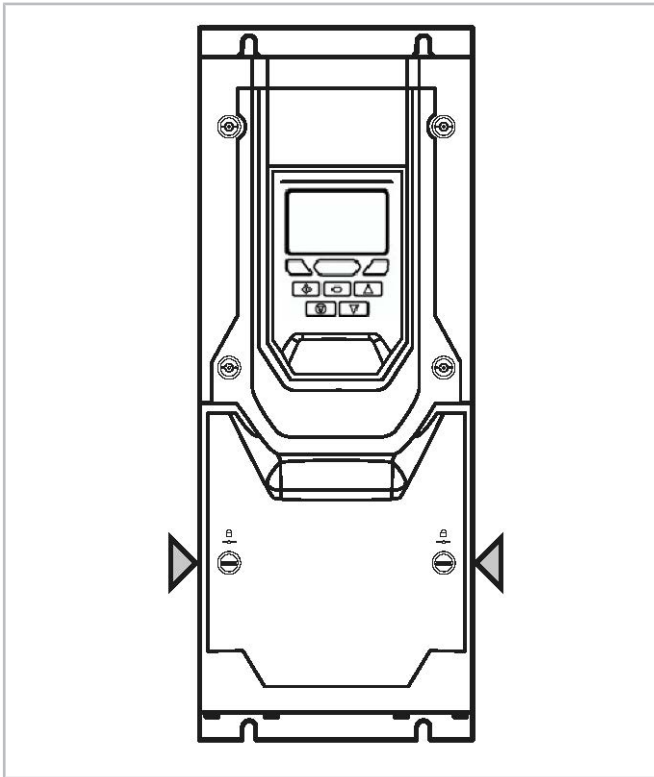


Fig. 6: Fastening screws for connector cover

### 5.4 Earth connection

- IP66: M4 ring cable lug for mounting on base
- IP55: Normal cable lug

EN 61800-5-1 (product standard for adjustable speed electrical power drive systems) and DIN EN 50178 DIN VDE 0160 (Electronic equipment for use in power installations) have special earthing requirements as soon as an earth leakage current of 3.5 mA is exceeded.

- The protective earth conductor cross-section for the line conductors (L1, L2, L3)  $< 16\text{mm}^2$  must be  $10\text{mm}^2$  with a single wire design or must have two wires with the respective phase cross-section.
- For line conductors (L1, L2, L3)  $\geq 16\text{mm}^2$  and  $\leq 35\text{mm}^2$ , the protective earth conductor must have a cross section of  $16\text{mm}^2$ .
- For line conductors (L1, L2, L3)  $> 35\text{mm}^2$ , the protective earth conductor cross-section must be at least 50% of that of the line conductors used (L1, L2, L3).

All exposed metal parts in the VARIPACK frequency inverter are protected with a basic insulation and connected to the protective earth conductor.



#### WARNING

The VARIPACK frequency inverters can generate a direct current in the protective earth conductor.



Risk of electric shock upon contact!

Wherever a residual current device (RCD) or a residual current monitoring device (RCM) is used for protection against direct or indirect contact, only a RCD or RCM of type B (according to IEC/EN 60755) is permitted on the power supply side!

### Residual current circuit breakers (RCD or FI switch)

- Use only FI circuit breakers (RCD) of type B that are sensitive to all types of currents and capable of detecting residual direct currents.
- Select a separate RCD for each FI with respect to the system configuration and environmental conditions.

### 5.5 Information for UL compliance

The frequency inverter is designed to meet the UL requirements. For an up to date list of UL compliant products, please refer to UL listing NMMS.E475976. In order to ensure full compliance, the following must be fully observed.

#### Input power supply requirements

Supply voltage	380 .. 480 V +/- 10% (TN and TT power grid)
Frequency	50 .. 60 Hz +/- 5%
Short circuit capacity	All FI are suitable for use on a circuit capable of delivering not more than 100 kA maximum short-circuit current symmetrical with the specified maximum supply voltage when protected by class J fuses.

#### Mechanical installation requirements

All frequency inverter units are intended for installation within controlled environments which meet the condition limits shown in the technical data section of this Quick Start Guide.

For IP55 units, installation in a pollution degree 2 environment is permissible.

For IP66 (Nema 4X) units, installation in a pollution degree 4 environment is permissible.

## Electrical installation requirements

Suitable power and motor cables should be selected according to the data shown in technical data section of this Quick Start Guide and the National Electrical Code or other applicable local codes.


Motor Cable: min. 75°C copper must be used.

Integral solid state short circuit protection does not provide branch circuit protection. Branch circuit protection must be provided in accordance with the national electrical code and any additional local codes. Ratings are shown in the technical data section of this Quick Start Guide.


For Canadian installations transient surge suppression must be installed on the line side of this equipment and shall be rated 480 V (phase to ground), 480 V (phase to phase), suitable for over voltage category III and shall provide protection for a rated impulse withstand voltage peak of 2.5 kV.

UL Listed ring terminals/lugs must be used for all bus bar and grounding connections.

**WARNING**




The opening of the branch-circuit protective device may be an indication that a fault has been interrupted. To reduce the risk of fire or electric shock, current-carrying parts and other components of the controller should be examined and replaced if damaged. If burnout of the current element of an overload relay occurs, the complete overload relay must be replaced.




## 5.6 Power connections (voltage supply cable and motor cable)

**DANGER**



Wrong or insufficient earthing may result in life-threatening electric shocks upon contact with the frequency inverter!



Earth the complete frequency inverter permanently and check the earth contacts at regular intervals!

Prior to any intervention in the device, check all voltage connections for proper insulation.

## Cable bushing preparation

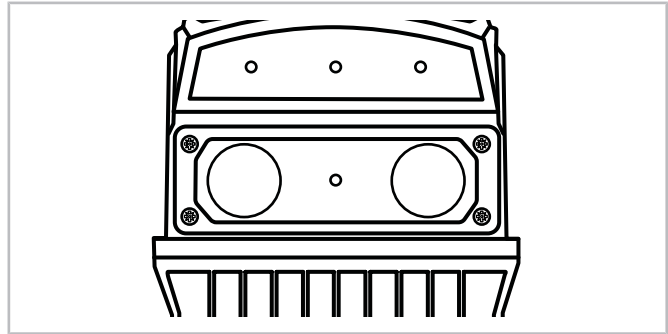



Fig. 7: Cable bushing plate IP66

**Information**



The holes for screwed cable glands of voltage supply, control lines and motor cable (EMC) must be drilled into the cable bushing plate. Screwed cable glands for control and bus lines can alternatively be fitted in the top plastic cover (IP66). To prevent drilling dust or particles from entering the housing, the cable bushing plate must be removed before drilling!

The use of a suitable gland system is required in order to maintain the appropriate IP / NEMA rating.

- IP55: Unscrew the cable bushing plate, drill holes for voltage supply cables, motor cables and control lines and fit screwed cable glands in the cable bushing holes. Then fix the plate again.
- IP66: Unscrew the cable bushing plate and fit the screwed cable glands in the cable bushing holes provided. A separate hole must be drilled for the control cable and fitted with a screwed cable gland. Then fix the plate again.

## Cable gland sizes

FI size	Hole size	Recommended PG gland	Alternative metric gland
M, N	27 mm	PG21	M25
O	37 mm	PG29	M32
P, Q, R	not prepared	-	-

## Cable connection

Feed the voltage supply cable and the shielded motor cable through the screwed cable glands into the VARI-PACK frequency inverter and connect them to the power terminals. Observe the tightening torques of the

terminals see chapter Cable cross-sections, tightening torques and fuses, page 10!

- Connect the voltage supply cable to the terminals L1, L2, L3 and the protective earth terminal. Phase sequence is not important.
- Connect the motor cable to the terminals U, V, W and the protective earth terminal.
- Observe the information regarding electromagnetic compatibility (EMC) see chapter Electromagnetic compatibility (EMC), page 16!

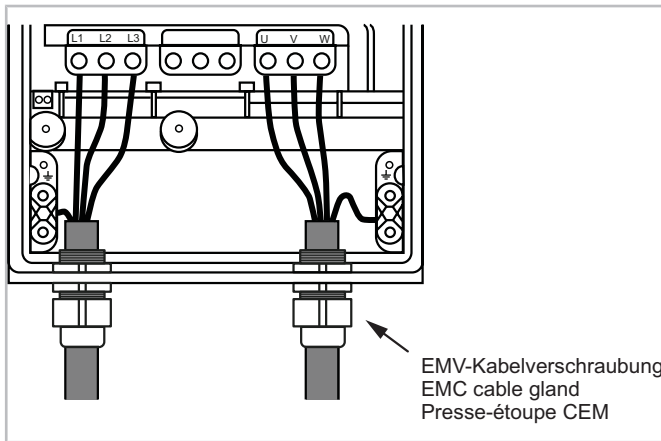


Fig. 8: Power connections (voltage supply cable and motor cable)

## 5.7 Control connections (inputs and outputs)



### Information

The entire external wiring must be approved for maximum system voltage!  
All control and signal terminals ensure safety extra low voltages (SELV), i.e., they are protected by double insulation.

Specification of the control connections:

- Cables with insulated or uninsulated wire end ferrules: 0.25 .. 1.5 mm<sup>2</sup>.

### Digital inputs

- Function
  - 2: DI1 (Start)  
Compressor start command.
  - 3: DI2 (Force)  
Operation of the compressor with a configurable frequency (50 Hz factory setting).
  - 4: DI3 (Reset)  
Reset of faults.

### Technical data

- Status:
  - Off: 0 .. 7 V DC
  - On: 8 .. 30 V DC
- Max. input voltage: +30 V DC
- Input impedance: 10 kΩ.

### Analogue inputs

- Function
  - 6: AI1 (V / p0)  
External control: Setpoint as 0 .. 10 V signal.  
With extension module (pressure control): Input for low pressure transmitter.
  - 7: 0 V
  - 10: AI2 (mA / pc)  
External control: Setpoint as 4 .. 20 mA signal.  
With extension module (pressure control): Input for high-pressure transmitter.

### Technical data

- Input signal: 0 .. 10 V or 4 .. 20 mA
- Max. input current: ≤ 20 mA (current signal)
- Max. input voltage: +30 V DC (voltage signal)
- Input impedance:
  - Voltage range: 86 kΩ.
  - Current range: 500 Ω

### Analogue outputs

- Function
  - 8: AO1 (Fan)  
External control: without function.  
With extension module (pressure control): Activation for condenser fan 0 .. 10 V.
  - 11: AO2  
Reserve.
- Technical data
  - Output signal: 0 .. 10 V.
  - Max. output load: 20 mA, with short-circuit protection.
  - Output impedance: Voltage range 86 kΩ.

## Relays

- Function
  - 14: RL1-In → 15: RL1-NO  
 "No fault" (factory setting) or "No fault and no time delay" or "No fault, no time delay and start" configurable via parameter "Logic of relay 1 (RL1)" P2-15.
  - 17: RL2-A → 18: RL2-B  
 Compressor is running.
- Technical data
  - Potential-free relay.
  - Maximum switching current range: 5 A (250 V AC / 30 V DC)
  - Minimum switching current range: 20 mA (min. 24 V AC / 24 V DC)
  - Protection against inductive or capacitive loads must be provided by external measures.



### Information

The STO input must be activated to allow the compressor to start!

## STO

- Function Safe Torque Off (STO)
  - 12: STO  
 STO input (Safe Torque Off).
  - 13: Common
- Technical data
  - Status:
    - Off: < 18 V DC
    - On: 18 .. 30 V DC
  - Max. input voltage: +30 V DC

## 5.8 Operating modes

The VARIPACK frequency inverter can be operated in two different operating modes:

- Capacity control of the compressor depending on an external setpoint signal (see chapter Setpoint input selection, page 14).
- Capacity control of the compressor depending on the evaporation pressure, which will require the optional extension module for pressure control (see chapter Capacity control of the compressor as a function of the evaporation pressure, page 15).

In addition to direct evaporation pressure control, the condenser fan can also be controlled via a 0 .. 10 V output signal and a second compressor can be connected.

### 5.8.1 Setpoint input selection

The VARIPACK frequency inverters can be controlled via parameter change (P1-13) with a 0 ... 10 V (factory setting) or 4 ... 20 mA signal.

### 5.8.2 Capacity control of the compressor depending on an external setpoint signal (P2-27)

- With the "Min ... Max" control characteristic, the compressor starts up when the DI1 start-up command is given. The setpoint signal provides linear frequency control between the minimum and maximum frequency of the compressor.
  - If a 0 .. 10 V signal is used, it must be connected to the input AI1 (6).
  - If a 4 .. 20 mA signal is used, it must be connected to the input AI2 (10).

Graphical explanation of the "Min .. Max" control characteristic, see figure 9, page 15.

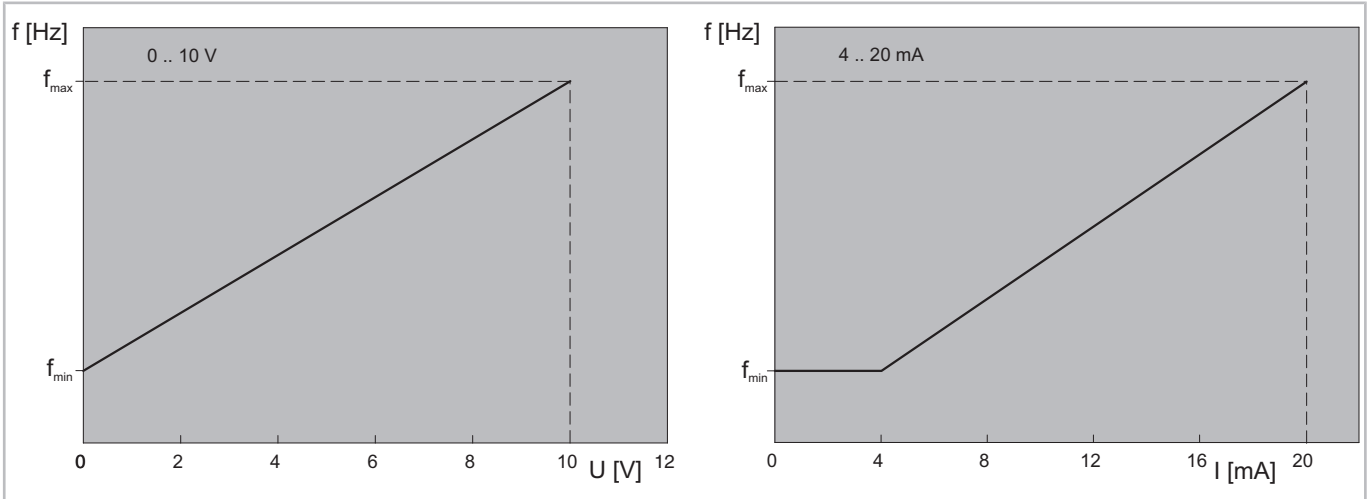


Fig. 9: "Min .. Max" control characteristic

### Control characteristic "0 .. Max"

Alternatively, the control characteristic "Min .. Max" can be changed by changing the parameter to "0 .. Max".

- With the "0 .. Max" control characteristic, in addition to the DI1 (2) start-up command, a setpoint signal of > 1% (0.1 V) is required for starting the compressor.

The setpoint signal presets the frequency to a value between 0 Hz and the maximum frequency. If the signal is > 1% but lower than the minimum frequency of the compressor, the compressor will run at the minimum frequency.

Graphical explanation of the "0 .. Max" control characteristic, see figure 10, page 15.

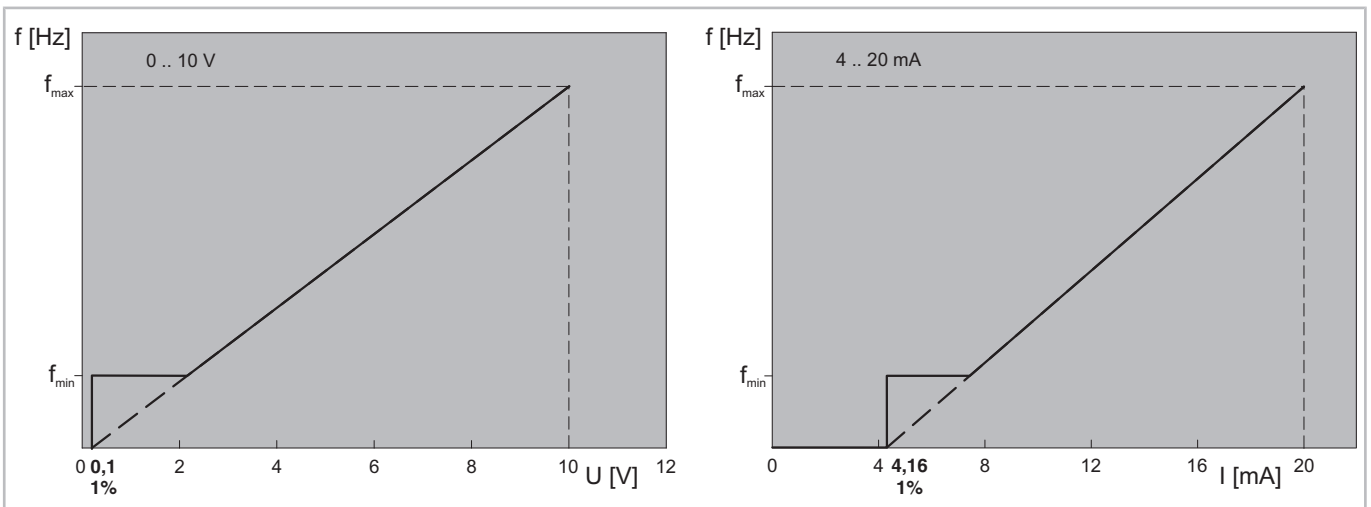


Fig. 10: "0 .. Max" control characteristic

### 5.8.3 Capacity control of the compressor as a function of the evaporation pressure

To control the capacity of the compressor as a function of the evaporation pressure requires the optional extension module for pressure control.

Installation of the extension module kit (part number 34797202):

- Press the extension module into the extension slot of the FI and tighten the two screws with a T10 screwdriver.
- Pressure transmitter
  - Install the pressure transmitter labelled "TA-12,8SS" on the low pressure side.
  - Install the pressure transmitter labelled "TA-34,5SS" on the high pressure side.

- In the case of Schrader valves, install the pressure transmitters without a copper gasket ring to ensure safe opening (max. torque 15 Nm).

Wiring of the extension module see chapter Schematic wiring diagrams, page 22.



Fig. 11: Extension module

## Function and technical data of the extension module

### Digital inputs

- Function
  - Terminal 1  
Switch over from evaporation temperature set-point 1 to 2.
  - Terminal 2  
Switch over from condensing temperature set-point 1 to 2.
- Technical data
  - Status: Off: 0 .. 7 V DC, On: 8 .. 30 V DC
  - Max. input voltage: +30 V DC
  - Input impedance: 10 kΩ

### Relays

- Function
  - Terminals 5 and 6  
Potential-free relay for starting the 2nd compressor.  
Max. Spannung: 250 V AC / 30 V DC  
Protection against inductive or capacitive loads must be provided by external measures.

Max. current: 6A (250 V AC) / 5 A (30 V DC) resistive load.

Min. current: 20 mA (24 V AC / 24 V DC) resistive load.

## 5.9 Electromagnetic compatibility (EMC)

Overview see chapter Analysis of harmonics, page 18.

The VARIPACK frequency inverters comply with the EU EMC directives 2014/30/EU and 2004/108/EC.

The product standard EN61800-3 applies to the interference immunity of frequency inverters. The frequency inverters meet the requirements for the first and second environment.

The interference emission of the frequency inverters is regulated by the product standard EN 61800-3, which distinguishes between categories C1 – C4. Compared with the generic standards, the category C2 according to EN 61800-3:2004 corresponds to EN 61000-6-4-2007+A1: 2011. The category C3 is not transferable. The text below only refers to C categories.

General EMC requirements for meeting category C2:

- Use of a shielded cable between FI and motor (motor cable), see figure 8, page 13.
  - Connect shield on both sides.
  - Route the shielded cable up to the VARIPACK in the switch cabinet and lay it properly through an EMC screwed cable gland.
- The motor cable
  - should not cross other cables. If it does, crossovers must be made at a 90° angle!
  - should be installed separately from the feed line and the control lines, if possible. If a parallel installation is unavoidable, maintain a clearance of at least 0.25 m.



### WARNING

Possible high-frequency EMC interference of the voltage supply system!  
FMY+6-4 .. FMY+14-4 are classified as professionally used device according to EN61000-3-2:2014.  
Before connecting them to the public low-voltage supply network, approval from the energy supply company must be obtained.



### Information

FMY+18-4 .. FPW+72-4 meet all requirements of the standard EN61000-3-12:2011 (see chapter Analysis of harmonics, page 18).



#### FMY+6-4 .. FPW+90-4:

- are equipped as standard with an integrated EMC filter for category C2.

If the EMC requirements of category C3 are sufficient, the line length between FI and motor may be up to 25 m.



#### WARNING

Without the use of an external EMC filter, high-frequency interferences may occur in the voltage supply system!

In a residential environment, this drive constellation may cause high-frequency interferences which may require mitigation measures.

#### FQW+110-4 .. FRW-302-4:

- are equipped with an integrated EMC filter for category C3. To meet category 2 requirements, an external EMC filter is required at the input of the frequency inverter:

FQW+110-4 .. FRW-240-4:

part no. 34795502,

designation FN 3359-250-28,

FRW+302-4: part no. 4795503,

designation FN 3359-320-99.



#### WARNING

Without the use of an external EMC filter, high-frequency interferences may occur in the voltage supply system!

This drive constellation is not intended for use in a public low voltage network supplying residential environments.

Size of the FI	Enclosure class	Maximum motor cable length		
		C1 <sup>①</sup>	C2	C3
M, N, O	IP66	1 m	5 m	25 m
P	IP55	1 m	5 m	25 m
Q, R	IP55	-	5 m <sup>②</sup>	25 m

① Conformity is only achieved with category C1 Conducted emissions.

② with external filter

### 5.9.1 Analysis of harmonics

Frequency inverter type	FMY+6-4	FMY+10-4	FMY+14-4	FNY+18-4	FNY+24-4	FNY+30-4	FOY+39-4	FOY+46-4
rated Power (kW)	2.2	4	5.5	7.5	11	15	18.5	22
Harmonic No.	RMS Current (A)							
1	4.650	7.590	10.700	13.800	18.900	24.500	28.500	35.400
3	0.031	0.065	0.039	0.088	0.199	0.045	0.305	0.283
5	0.940	1.530	2.200	2.980	3.970	5.150	7.200	8.190
7	0.706	1.110	1.540	1.930	2.580	3.380	3.190	4.070
9	0.028	0.061	0.025	0.043	0.142	0.029	0.121	0.147
11	0.399	0.657	0.969	1.260	1.570	2.180	3.430	3.020
13	0.434	0.667	0.917	1.220	1.690	2.100	0.893	2.560
15	0.016	0.032	0.020	0.037	0.165	0.046	0.134	0.115
17	0.292	0.470	0.738	1.030	1.210	1.840	1.490	2.060
19	0.284	0.410	0.602	0.812	1.040	1.290	1.110	1.710
21	0.050	0.065	0.037	0.067	0.190	0.057	0.093	0.075
23	0.254	0.337	0.643	0.940	0.942	1.450	1.260	1.750
25	0.207	0.325	0.435	0.463	0.793	0.820	0.790	0.918
27	0.040	0.084	0.055	0.065	0.267	0.082	0.108	0.267
29	0.219	0.319	0.543	0.804	0.944	1.210	0.988	1.330
31	0.170	0.288	0.344	0.424	0.646	0.677	0.753	0.471
33	0.036	0.065	0.043	0.102	0.311	0.046	0.139	0.196
35	0.177	0.264	0.472	0.656	0.831	1.010	1.020	0.920
37	0.140	0.210	0.220	0.250	0.498	0.487	0.663	0.379
39	0.042	0.073	0.013	0.058	0.270	0.063	0.277	0.140
40	0.006	0.012	0.017	0.026	0.069	0.089	0.111	0.084
Total RMS Current (A)	1.46	2.32	3.35	4.46	5.87	7.63	9.14	10.66
THD (I) %	29.73%	29.12%	23.73%	30.31%	29.33%	29.44%	23.14%	22.87%

Fig. 12: Table for analysis of the harmonics FMY+6-4 .. FOY+46-4

FMY+6-4 .. FMY+14-4 are classified as professionally used device according to EN61000-3-2.

Frequency inverter type	FPW+61-4	FPW+72-4	FPW+90-4	FQW+110-4	FQW+150-4	FQW+180-4	FRW+202-4	FRW+240-4	FRW+302-4
rated Power (kW)	30	37	45	55	75	90	110	132	160
Harmonic No.	RMS Current (A)								
1	47.469	59.481	75.400	98.809	130.194	153.528	162.745	194.336	241.996
3	0.330	1.073	0.728	5.866	5.576	4.887	3.731	4.944	5.675
5	13.279	12.268	16.700	41.762	49.101	55.584	87.375	98.009	116.705
7	4.252	7.371	9.760	20.184	21.967	24.527	51.666	53.411	58.399
9	0.554	0.528	0.475	0.850	0.592	0.994	3.951	5.314	5.108
11	5.116	5.545	7.570	7.896	10.345	12.758	9.807	9.053	8.397
13	1.705	4.979	5.410	5.604	5.915	5.836	6.448	7.854	11.480
15	0.383	0.157	0.207	0.578	0.728	0.960	0.784	2.094	3.698
17	1.440	3.228	4.800	3.431	4.703	5.439	7.089	6.647	5.416
19	2.088	3.220	3.600	3.525	4.542	5.292	2.384	4.265	6.008
21	0.295	0.186	0.195	0.518	0.552	0.703	0.971	0.695	0.399
23	1.728	2.606	3.450	1.939	2.892	3.447	4.817	6.131	5.353
25	1.356	1.537	2.520	2.675	3.699	4.376	2.087	1.582	4.726
27	0.279	0.115	0.169	0.429	0.516	0.693	0.965	0.830	0.577
29	1.208	1.616	2.900	1.731	2.501	2.957	2.302	4.111	5.250
31	0.979	1.146	1.890	1.886	2.656	3.262	2.031	1.573	1.894
33	0.159	0.350	0.151	0.358	0.447	0.561	0.646	0.942	0.581
35	0.406	1.007	2.460	1.275	1.878	2.264	1.728	2.069	3.723
37	1.158	1.120	1.460	1.427	2.037	2.490	1.612	1.516	0.836
39	0.432	0.178	0.134	0.420	0.555	0.704	0.574	0.591	0.824
40	0.050	0.167	0.089	0.267	0.382	0.473	0.138	0.159	0.104
Total RMS Current (A)	15.48	17.27	23.15	48.24	56.16	63.52	102.82	113.09	132.17
THD (I) %	30.81%	28.10%	29.31%	45.97%	40.91%	37.58%	52.58%	49.51%	47.44%

Fig. 13: Table for analysis of the harmonics FPW+61-4 .. FRW+302-4

FNY+18-4 .. FRW+302-4 meet all requirements according to the standard EN61000-3-12:2011.

VARIPACK products comply with IEC 61000-3-12 without the need for Line Reactors, provided that the short-circuit power  $S_{SC}$  is greater than or equal to  $S_{SC(min)}$  at the interface point between the user's supply and the public system. It is the responsibility of the installer or user of the equipment to ensure, by consultation with the distribution network operator if necessary, that the equipment is connected only to a supply with a short-circuit power  $S_{SC}$  greater than or equal to  $S_{SC(min)}$  calculated as:  $S_{SC(min)} = 320 \times V_{rated} \times I_{rated}$

Where  $V_{rated}$  is the drive rated voltage (phase to phase) and  $I_{rated}$  is the drive rated current (per phase).

## 5.10 Safe Torque Off (STO)

As standard, the VARIPACK frequency inverters are equipped with a shut-off function, the Safe Torque Off (STO). Due to the STO function, the main contactor before or after the VARIPACK frequency inverter may be omitted.

### Responsibilities

The overall system designer is responsible for defining the requirements of the overall "Safety Control System" within which the FI will be incorporated. Furthermore the system designer is responsible for ensuring that the complete system is risk assessed and that the "Safety Control System" requirements have been entirely met and that the function is fully verified. This must include confirmation testing of the STO function before FI commissioning.

The system designer shall determine the possible risks and hazards within the system by carrying out a thor-

ough risk and hazard analysis, the outcome of the analysis should provide an estimate of the possible hazards, furthermore determine the risk levels and identify any needs for risk reduction. The STO function should be evaluated to ensure it can sufficiently meet the risk level required.

### What STO provides

The purpose of the STO function is to provide a method of preventing the FI from creating torque in the motor in the absence of the STO input signals (Terminal 12 with respect to Terminal 13), this allows the FI to be incorporated into a complete safety control system where STO requirements need to be fulfilled.



#### WARNING

The STO function does not prevent the FI from an unexpected re-start. As soon as the STO input receives the relevant signal it is possible to restart automatically, Based on this, the function should not be used for carrying out short-term non-electrical machinery operations (such as cleaning or maintenance work).

The STO function can typically eliminate the need for electro-mechanical contactors with cross-checking auxiliary contacts as per normally required to provide safety functions.

The FI has the STO function built-in as standard and complies with the definition of "Safe torque off" as defined by IEC 61800-5-2:2007.

The STO function also corresponds to an uncontrolled stop in accordance with category 0 (Emergency Off), of IEC 60204-1. This means that the motor will coast to a stop when the STO function is activated. This method of stopping should be confirmed as being acceptable to the system the motor is driving.

The STO function is recognised as a failsafe method even in the case where the STO signal is absent and a single fault within the FI has occurred, the FI has been proven in respect of this by meeting the following safety standards:

#### EN 61800-5-2

SIL (Safety Integrity Level)	2
PFHD (Probability of dangerous Failures per Hour)	1.23E-09 1/h (0.12% of SIL 2)
SFF (Safe failure fraction %)	50
Lifetime assumed	20 years

#### EN ISO 13849-1

PL (Performance Level)	PL d
CCF (%) (Common Cause Failure)	1
MTTFd	4525a
Category	3

#### EN 62061

SILCL	SILCL 2
-------	---------

The values achieved above maybe jeopardised if the FI is installed outside of the environmental limits.



#### WARNING

Disconnect and isolate the FI before attempting any work on it. The STO function does not prevent high voltages from being present at the FI power terminals.

When using permanent magnet motors and in the unlikely event of a multiple output power devices failing then the motor could effectively rotate the motor shaft by  $180/p$  degrees (Where  $p$  denotes number of motor pole pairs).

### STO operation

When the STO input is energised, the STO function is in a standby state, if the FI is then given a "Start signal/command" then the FI will start and operate normally.

When the STO input is de-energised then the STO function is activated and stops the FI (Motor will coast), the FI is now in "Safe Torque Off" mode.

### STO status and monitoring

#### FI display:

In Normal FI operation (Mains AC power applied, compressor not running), when the FI's STO input is de-energised (STO Function activated) the FI will highlight this by displaying "INHIBIT". If the FI is in a tripped condition then the relevant trip will be displayed and not "INHIBIT". If the STO input is energised and the display still shows "INHIBIT", there is a fault at the STO input.

### FI output relay:

FI relay 1 will open when the STO input is not energized.

### Fault code:

Fault code	Code number	Description
STO-F	29	<ul style="list-style-type: none"> <li>Internal safety input circuit error.</li> <li>Safety circuit momentarily opened during drive running.</li> </ul>

### STO function response time

The total response time is the time from a safety related event occurring to the components (sum of) within the system responding and becoming safe. (Stop Category 0 in accordance with IEC 60204-1).

- The response time from the STO input being de-energised to the output of the FI being in a state that will not produce torque in the motor (STO active) is less than 1 ms.
- The response time from the STO input being de-energised to the STO monitoring status changing state is less than 20 ms.
- The response time from the FI sensing a fault in the STO circuit to the FI displaying the fault on the display/Digital output showing FI not healthy is less than 20 ms.

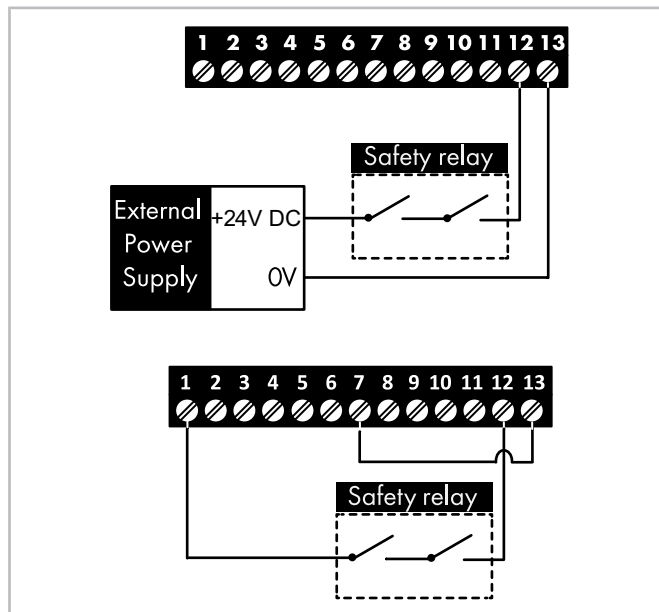
### STO electrical installation



#### WARNING

The STO wiring shall be protected from inadvertent short circuits or tampering which could lead to failure of the STO input signal.

In addition to the wiring guidelines for the STO circuit, EMC compliant installation should also be followed. The FI should be wired as shown in the diagram. The 24 V DC signal source applied to the STO input can be either from the 24 V DC on the FI or from an external 24 V DC power supply.



#### Information

The maximum cable length from voltage source to the FI terminals should not exceed 25 metres.

### External power supply specification

Voltage rating (nominal)	24 V DC
STO logic high	18 .. 30 V DC (Safe torque off in standby)
Current consumption (maximum)	100 mA

### Safety relay specification

The system designer is responsible for ensuring that the complete system is risk assessed and that the "Safety Control System" requirements have been entirely met.

If a safety relay is required it should be chosen so that at minimum it meets the safety standards which the FI meets.

Standard requirements	SIL2 or PLd SC3 or better (with forcibly guided contacts)
Number of output contacts	2 independent
Switching voltage rating	30 V DC
Switching current	100 mA

## Testing the STO function

Before commissioning the system the STO function should always be tested for correct operation:

- With the motor at standstill, and a stop command given to the FI:
  - De-energise the STO input (FI will display “INHIBIT”).
  - Give a start command and check that the FI still displays “INHIBIT”.
- With the motor running normally (from the FI):
  - De-energise the STO input (FI will display “STO-F”).

The STO function should be included within the control systems scheduled maintenance program so that the function is regularly tested for integrity (minimum once per year), furthermore the function should be integrity tested following any safety system modifications or maintenance work.

## 5.11 Schematic wiring diagrams

Connect the VARIPACK frequency inverter in accordance with the schematic wiring diagrams. Mount the control switches S1 to S4 in the switch cabinet.

Individual connection of the compressor motor according to the selected motor version and design. For details concerning the motor connection, see inside of the terminal box of the compressor.

### Reciprocating compressors:

The schematic wiring diagrams include optional oil monitoring. Without such monitoring, the Delta-PII or OLC-K1 and the components S04 and P04 can be omitted. The auxiliary relay K19 and the pressure switches B10 and B11 should in this case be installed in path 7 at connection 14 of the B01 (SE-B\*).

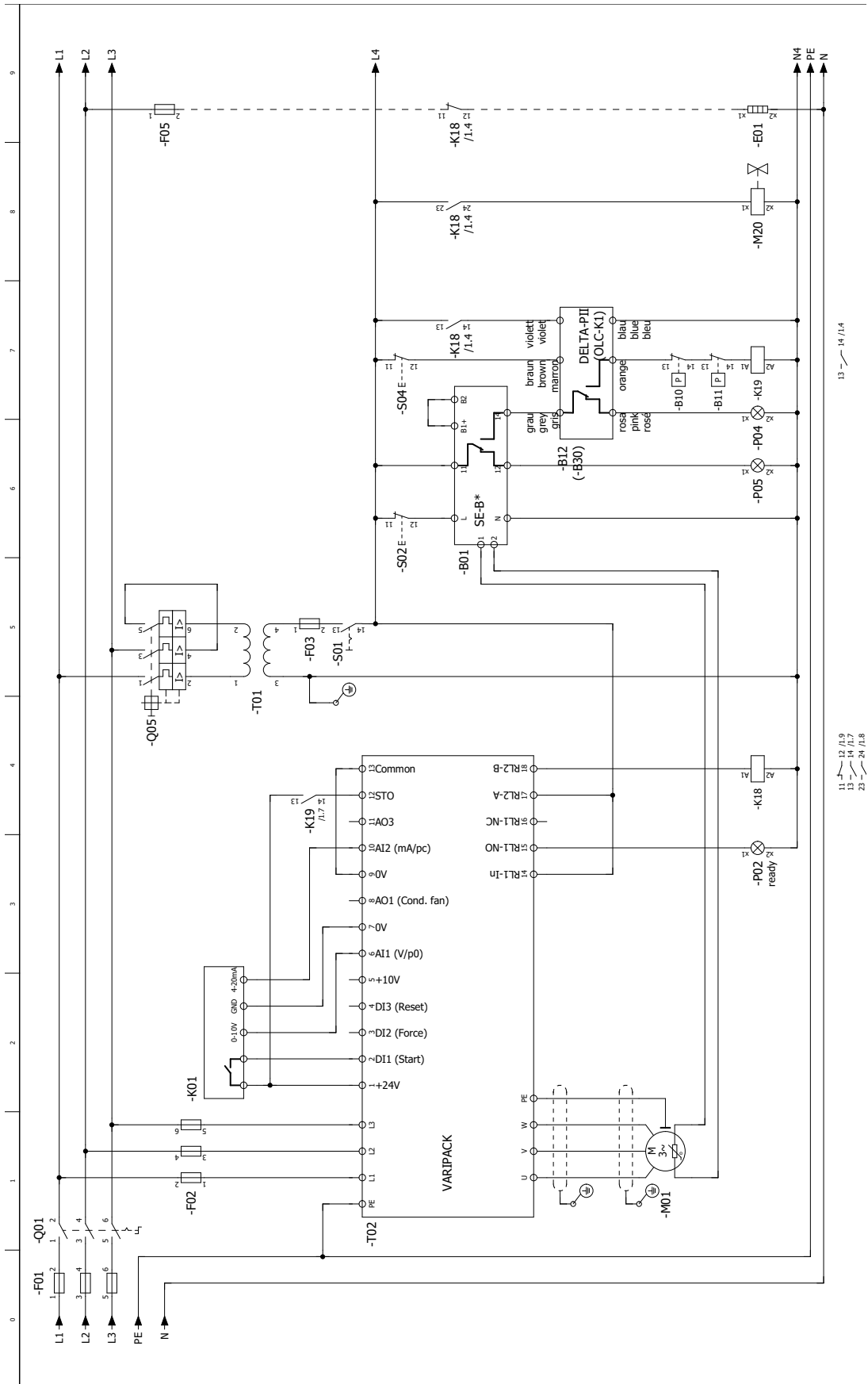


Fig. 14: Schematic wiring diagram of reciprocating compressors without extension module

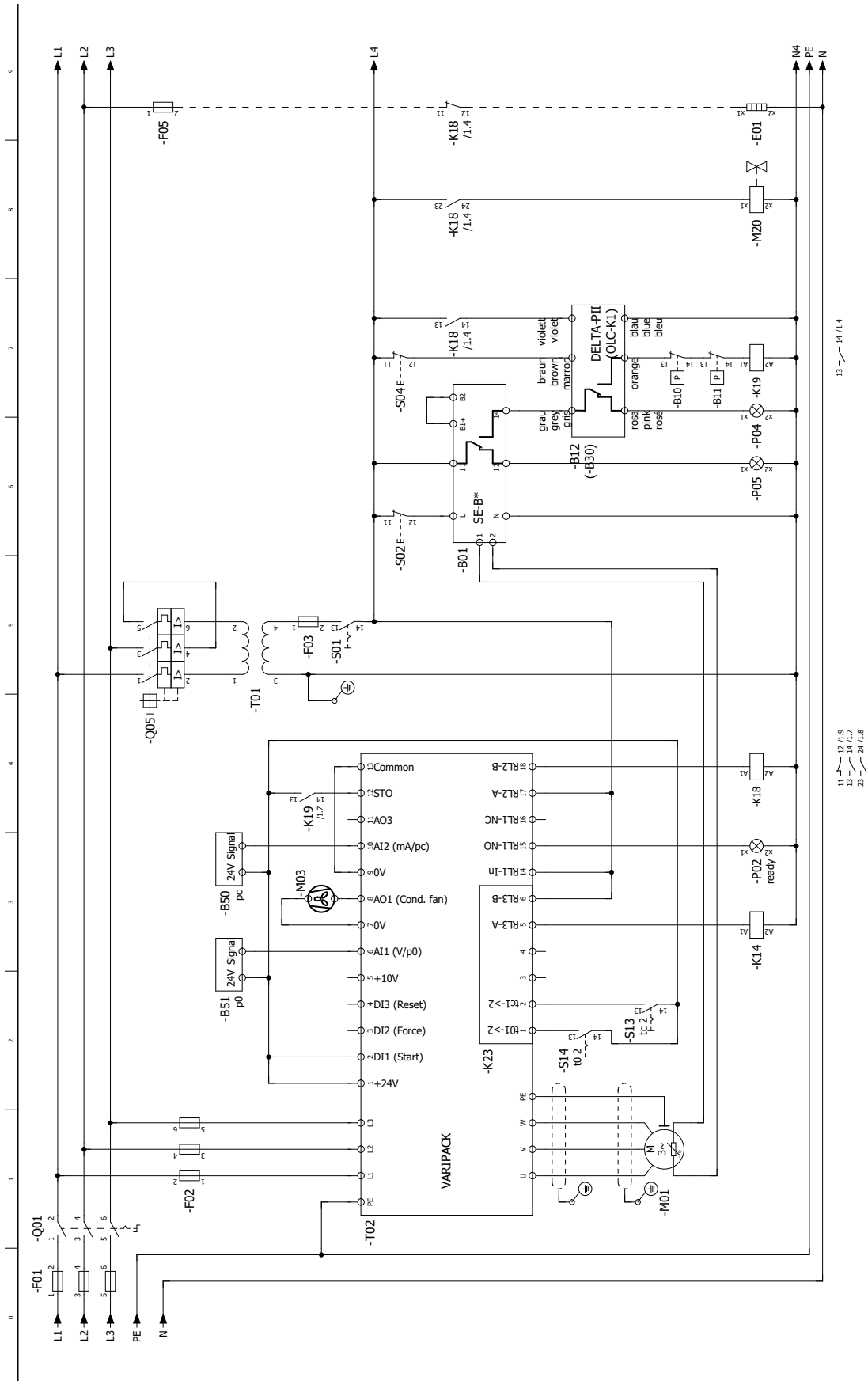
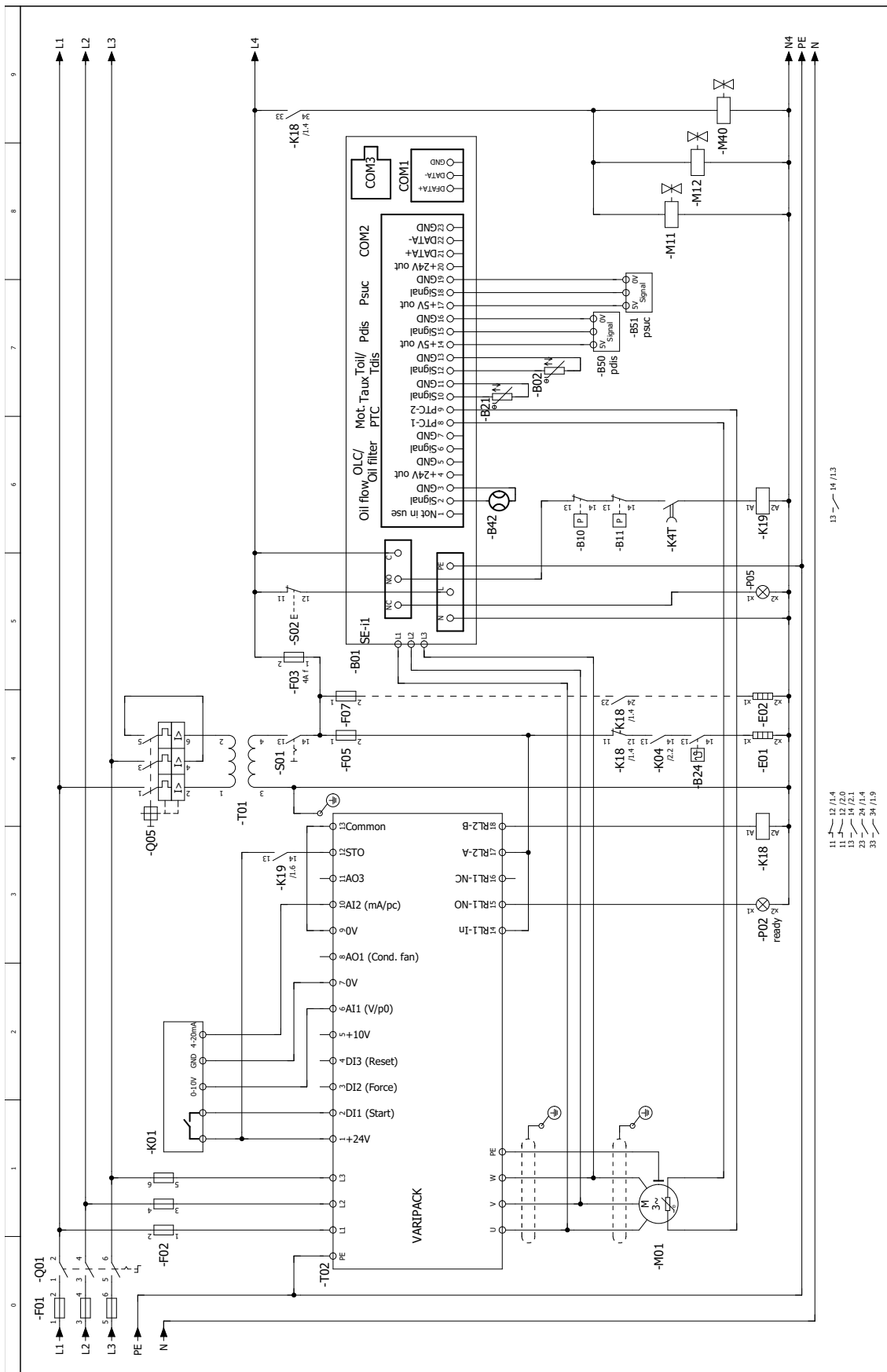


Fig. 15: Schematic wiring diagram of reciprocating compressors with extension module (K23)





- 11 - 12 / 1/4
- 12 - 13 / 1/4
- 13 - 14 / 2/1
- 23 - 24 / 1/4
- 33 - 34 / 1/9

Fig. 16: HS.53 .. HS.74 screw compressors without extension module

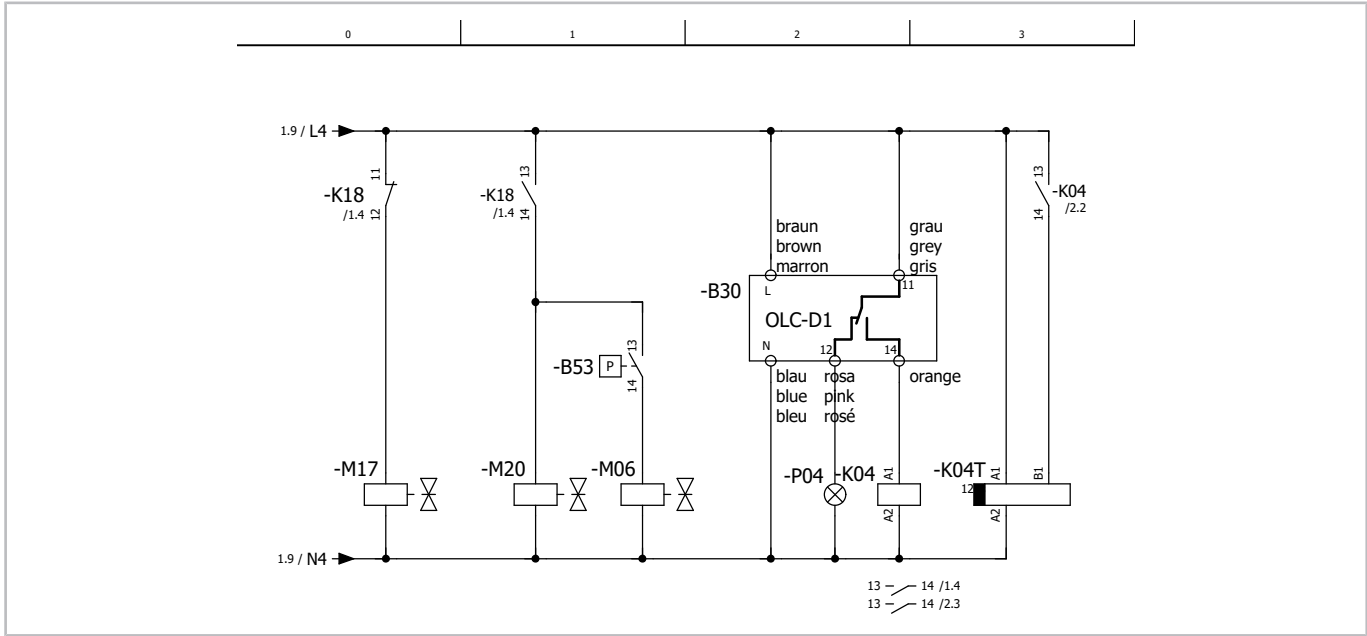


Fig. 17: Oil monitoring HS.53 .. HS.74 screw compressors

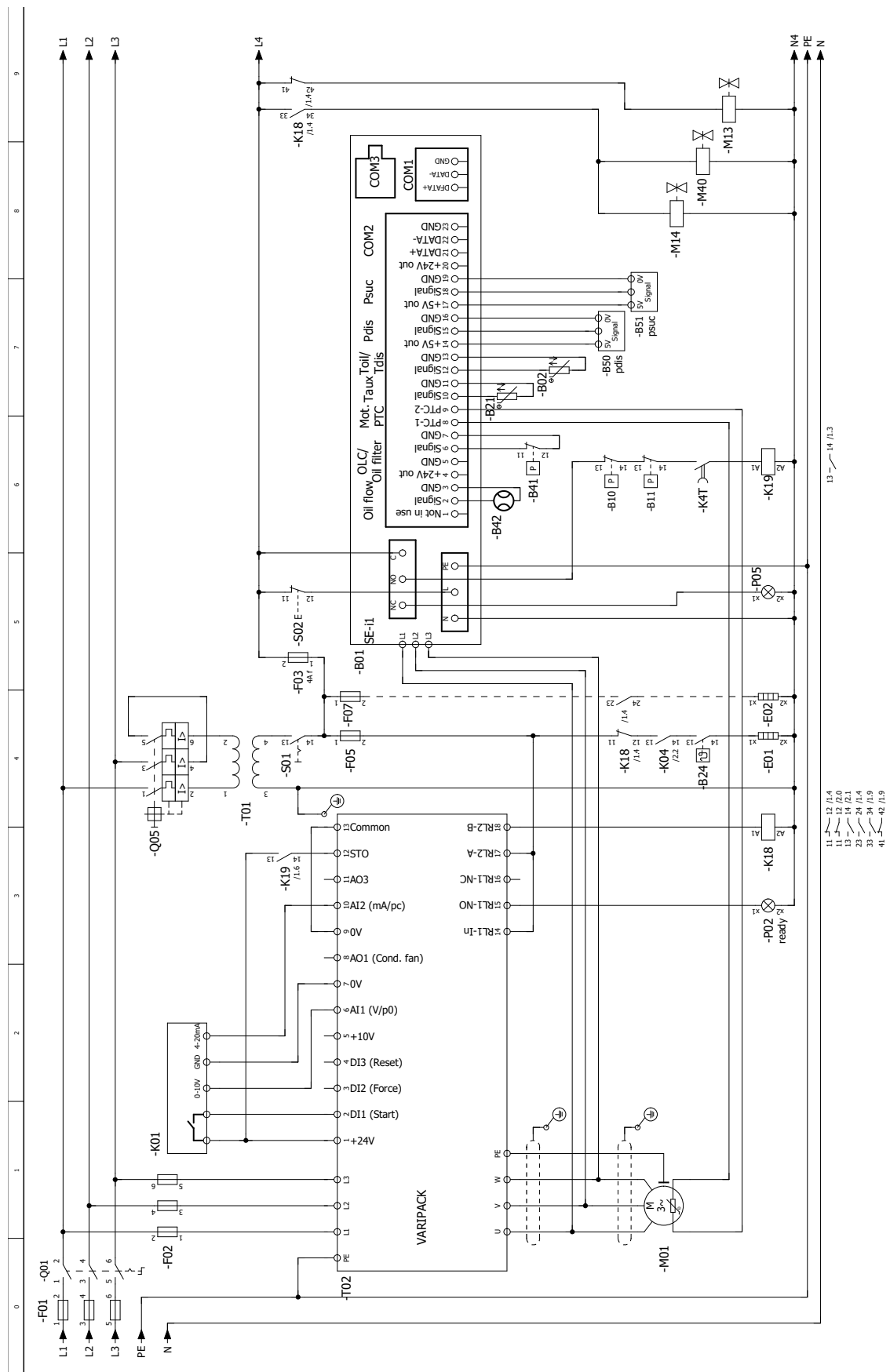


Fig. 18: HS.85 screw compressors without extension module

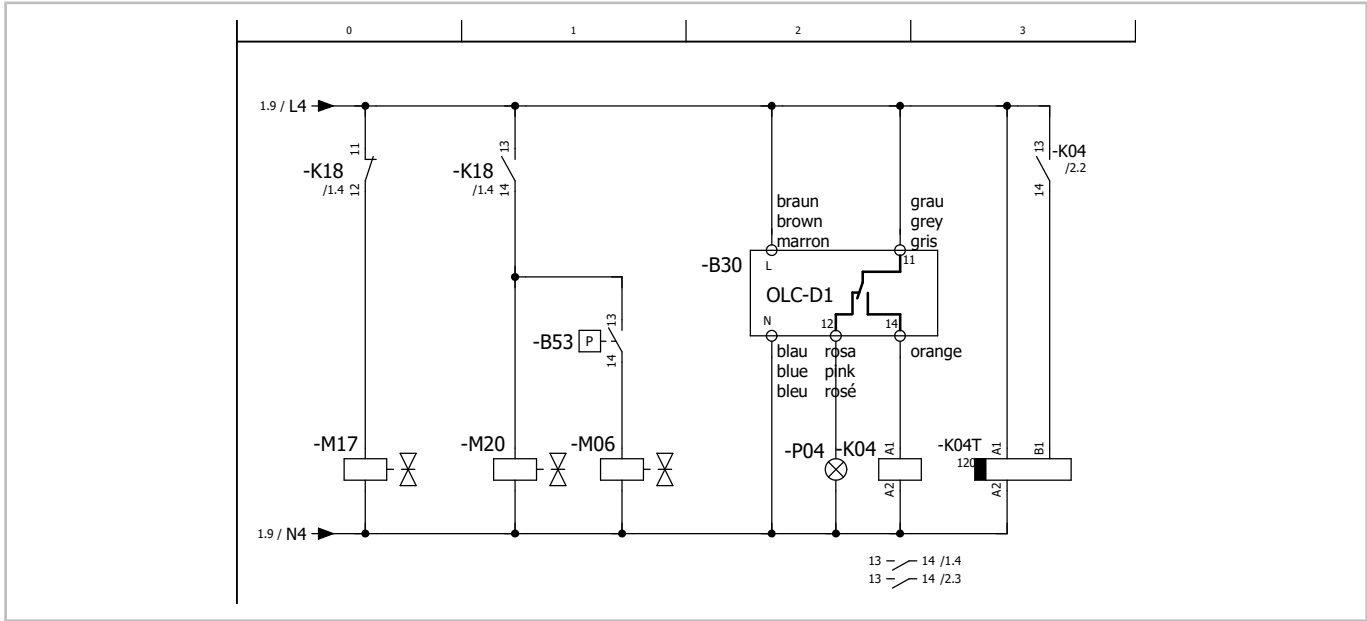


Fig. 19: Oil monitoring HS.85 screw compressors

Abbr.	Component
B01	Compressor protection device
B02	Discharge gas / oil temperature sensor
B10	High pressure switch
B11	Low pressure switch
B12	Differential oil pressure switch
B21	Optional temperature sensor
B24	Oil thermostat
B30	Oil level switch
B41	Oil filter monitoring
B42	Oil flow switch
B50	High pressure transmitter
B51	Low pressure transmitter
B53	ECO switch-on
E01	Oil heater
E02	Terminal box cover heater
F01	Main fuse
F02	Compressor fuse
F03	Control circuit fuse
F05	Fuse of oil heater
F07	Fuse of terminal box cover heater
K01	Superior controller
K04	Auxiliary relay for oil monitoring
K04T	Time relay for oil level switch
K14	Auxiliary relay
K18	Auxiliary relay: FI outputs power voltage/ rotating field for motor
K19	Auxiliary relay: safety chain enabled
K23	Extension module
M01	Compressor motor
M03	Fan 1
M06	SV for economiser (ECO)
M11	SV for capacity regulator 1, CR1, CR+, CRII-2 or start unloading
M12	SV for capacity regulator 2, CR2, CR- or CRII-1
M13	SV for capacity regulator 3, CR3 or CRII-3
M14	SV for capacity regulator CR4
M17	SV for standstill bypass
M20	SV for liquid line
M40	SV for oil injection
P02	Light: compressor is ready-to-operate
P04	Light: oil supply fault
P05	Light: compressor fault
Q01	Main switch

Abbr.	Component
Q05	Control transformer fuse
S01	Control switch (on-off)
S02	Reset of compressor safety chain
S04	Reset of oil monitoring
S13	Condensing temperature: Switching to second setpoint
S14	Evaporation temperature: Switching to second setpoint
T01	Control transformer (example for 230 V, re- quired according to EN60204-1)
T02	Frequency inverter (FI)

## 6 Control functions

Graphical explanations of the control functions described in the following sections, see figure 20, page 31.

### Compressor start and STO

The compressor can only be started when it is released (STO input closed), the start command is given (DI1 closed) and the "start to start interval" (timer P0-17) and the "stop to start interval" (timer P0-18) (5 s) of the compressor have elapsed.

For control by means of external setpoint signal and control characteristic "0 ... Max", a setpoint > 1% must also be present.

As soon as the start command is cancelled (DI1), the compressor is stopped via the ramps.

If the release is cancelled (STO), however, it is directly switched off.

### "Ramps"

To optimise the operating behaviour, the speed ramps of the compressor can be adjusted (ramp up P1-03 and ramp down P1-04). For slow reacting systems such as water chillers or refrigeration systems with only one evaporator, we recommend selecting long ramp times while compound systems may require shorter ramps. Apart from the limitation of the external setpoint, these ramps define the frequency change for the "Force" function.

To start and shut off the compressor, i.e. below the minimum frequency, the optimum ramps are fixed in the VARIPACK frequency inverter and therefore ensure a safe and reliable compressor start.

### "Start to start interval" (P2-21) (cycle time between two compressor starts)

The compressor start activated by a VARIPACK frequency inverter results in a lower mechanical stress on the compressor drive gear and less heating of the motor compared to a direct-on-line start. A greater number of compressor starts per hour are permissible this way. An excessive number of compressor starts, however, should be avoided.

The "start to start interval" limits the maximum number of compressor starts. If the defined time since the last compressor start has not yet elapsed, the compressor start is delayed. If the compressor is operated for a longer period than the "start to start interval", it can be restarted immediately after the shut off. As standard, the minimum "start to start interval" recommended for the compressor is set. It can be extended to any desired period in order to improve the operating perform-

ance of the system and to increase the system efficiency by avoiding very short cycles. If required, shorter time values than the preset and recommended ones can be configured.

### Relay "Compressor running" (RL2)

The relay "Compressor running" indicates the operating condition of the compressor. It can be used, for example, for switching off the oil heater or as a signal for the electronic expansion valve. The relay is switched on after a successful compressor start and after having reached the minimum frequency, and is switched off as soon as the frequency falls below the minimum value.

### "Holding time at holding frequency after start" (P2-04 and P2-26)

In temperature-controlled systems with only one compressor, there may be significant pressure drops in the low-pressure circuit after the compressor start. The reason for this is that, due to the high setpoint deviation, the compressor is powered up too fast so that the pressure cannot be regulated quickly enough by the expansion valve. This can be avoided by setting a period (P2-26) after the start during which a configurable frequency (P2-04) of the compressor is maintained before the compressor switches to normal operation. As standard, a value of 0 s is set.

### Operation with force frequency (P2-03)

In case of long pipelines and rising lines or a suction gas line with design flaws, there is a risk of oil migration during the long partial load phases. If the frequency and therefore the mass flow is increased, the oil can be circulated back and a compressor shut-off can be avoided. This can be realized via the "Force" function of the VARIPACK frequency inverter. If a lack of oil in the oil separator or compressor is signalled, the digital input DI2 of the VARIPACK frequency inverter can be activated to operate the compressor at the configured force frequency. As standard, a value of 50 Hz is set.

### "Avoid resonances" (P2-05 .. P2-08)

If vibrations that are not easy to eliminate occur in a specific range of operating frequencies, these frequencies can be excluded. For this, two frequency ranges can be defined in which the compressor cannot remain during operation. When the setpoint exceeds the defined initial value, the frequency remains at this value until the setpoint has exceeded the end value and the frequency range has been skipped. When the setpoint falls below the defined end value, the frequency is maintained until the setpoint has fallen below the initial value.

### Automatic limitation of the maximum frequency

During operation in field weakening mode, the frequency inverter automatically limits the operating frequency as soon as the maximum operating current of the compressor or the frequency inverter is reached.

This allows economic dimensioning of the combination of compressor and VARIPACK without running the risk that the frequency inverter switches to fault due to over-current under exceptional operating conditions (high condensing temperature, start or start after a long standstill).

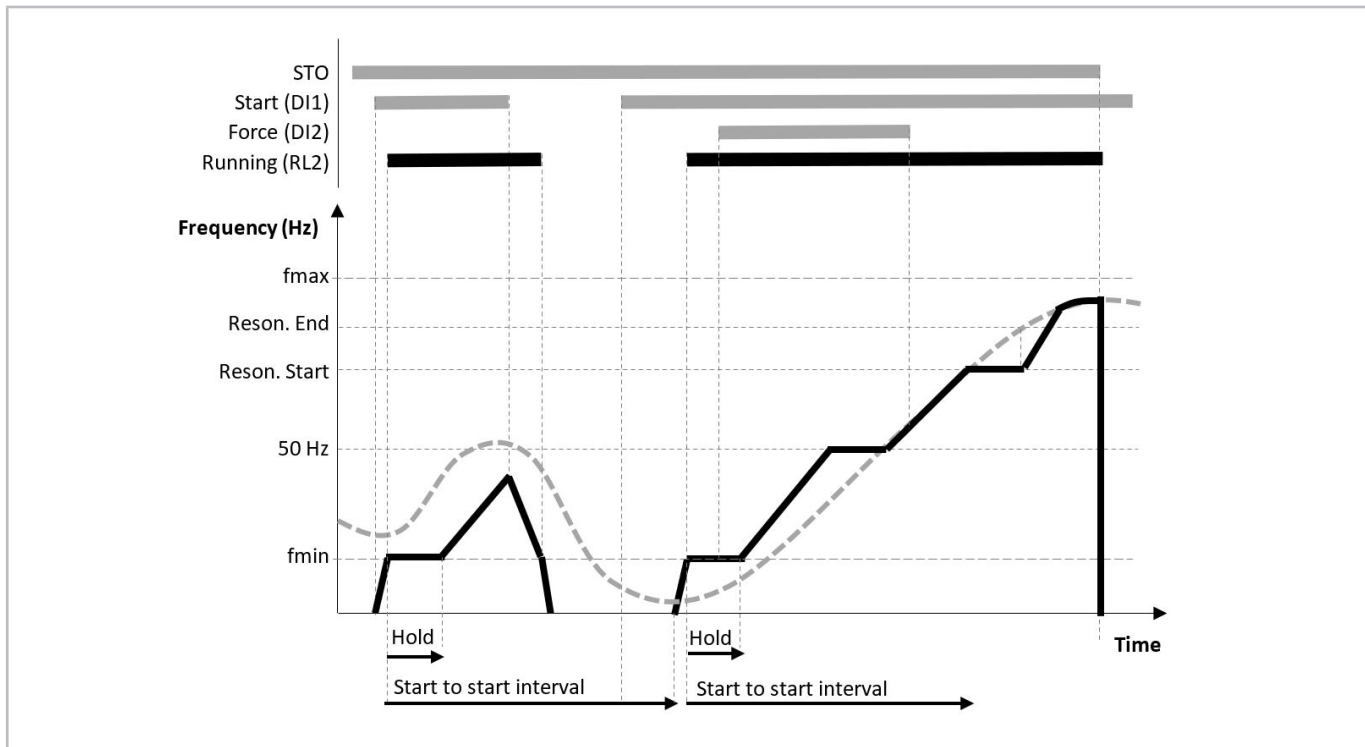


Fig. 20: Graphical representation of the general control functions

### 6.1 Extension module for pressure control

Graphical explanations of the control functions of the extension module for pressure control described in the following sections, see figure 21, page 32.

#### Basic function and minimum settings

If the extension module for pressure control is connected to the VARIPACK frequency inverter, the operating mode "Pressure control" can be selected via BEST SOFTWARE or via display parameter P1-12. This configuration enables the relevant parameters for pressure control.

Apart from the basic settings, at least the following parameters must be set for direct control:

- Refrigerant
- Evaporation temperature
- Pump down cut-out temperature
- Condensing temperature

The compressor control is based on the so-called pump down logic. For this, the digital start input of the compressor (DI1) must be permanently closed or a control switch can be used for release. The compressor is switched on as soon as the evaporation temperature exceeds the setpoint and stops when the evaporation temperature falls below the set pump-down cut-out temperature.

During operation, the frequency inverter controls the set evaporation temperature by regulating the compressor frequency and by switching the uncontrolled compressor on/off (relay on the extension module, Terminal 5+6). The control speed can be adjusted to the requirements by setting the P band (P3-06) and the I band (P3-07).

The analogue output AO1 (connection of a variable-speed condenser fan) can be used to control the set condensing temperature via the 0 ... 10 V signal. In order to guarantee the most efficient level of operation, it is recommended to set the nominal condensing temperature according to the minimum permitted condensing temperature of the compressors if the system al-

lows doing so. If the condensing temperature exceeds the setpoint, the rotational speed of the fans is increased accordingly. The quality of the control can be optimized by setting the P band (P3-13) and the I band (P3-14) to the system inertia. In addition, a minimum fan speed can be set, if necessary.

**"Evaporation temperature setpoint 2" (P3-03)**

The evaporation temperature setpoint 2 is activated by a signal to the input DI4 (extension module terminal 1).

**"Condensing temperature setpoint 2" (P3-09)**

The condensing temperature setpoint 2 is activated by a signal to the input DI5 (extension module terminal 2). This value can be used, for example, as setpoint for heat recovery.

**"Condensing temperature limiter" (P3-11)**

The condensing temperature limiter reduces the compressor frequency as soon as the set condensing temperature is exceeded. Thus a high pressure cut-out can be avoided in many cases since the load on the condenser is reduced by lowering the frequency.

**"Electronic low pressure switch" (P3-05)**

The low pressure switch function switches the compressor off as soon as the pressure falls below the set pressure value. In contrast to the pump down shut-off, the compressor is immediately switched off as soon as this limit value is reached and is not shut down via the ramp. Moreover, a fault is stored in the fault memory of the frequency inverter. As soon as the evaporation temperature setpoint is exceeded, the compressor is re-started.

**"Electronic high pressure switch" (P3-12)**

The high pressure switch function switches the compressor off as soon as the set pressure value is exceeded. The standard setting and the maximum adjustable value correspond to the maximum operating pressure of the compressor. The high pressure switch is reset as soon as the temperature falls below the set value of the condensing temperature limiter.

**i Information**  
 The electronic high pressure switch function does not replace the type-examination tested high pressure switch according to EN378!

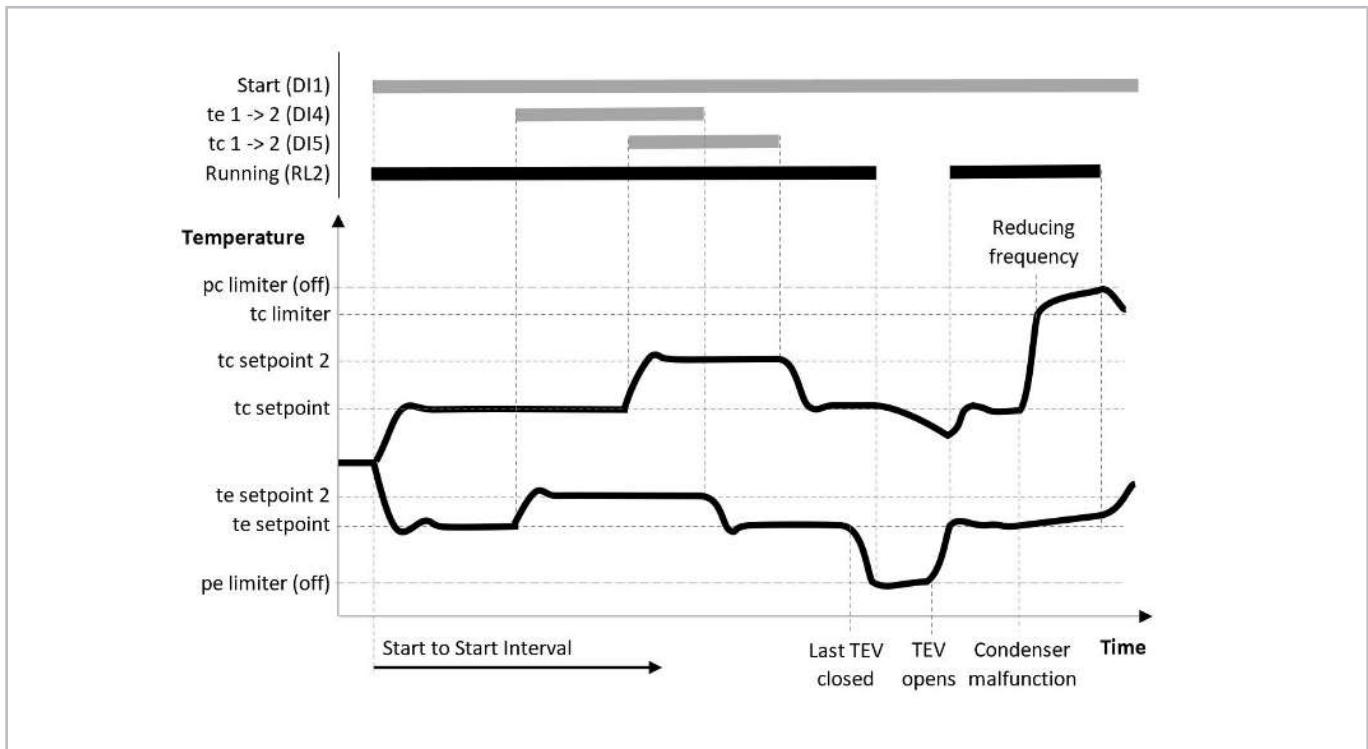


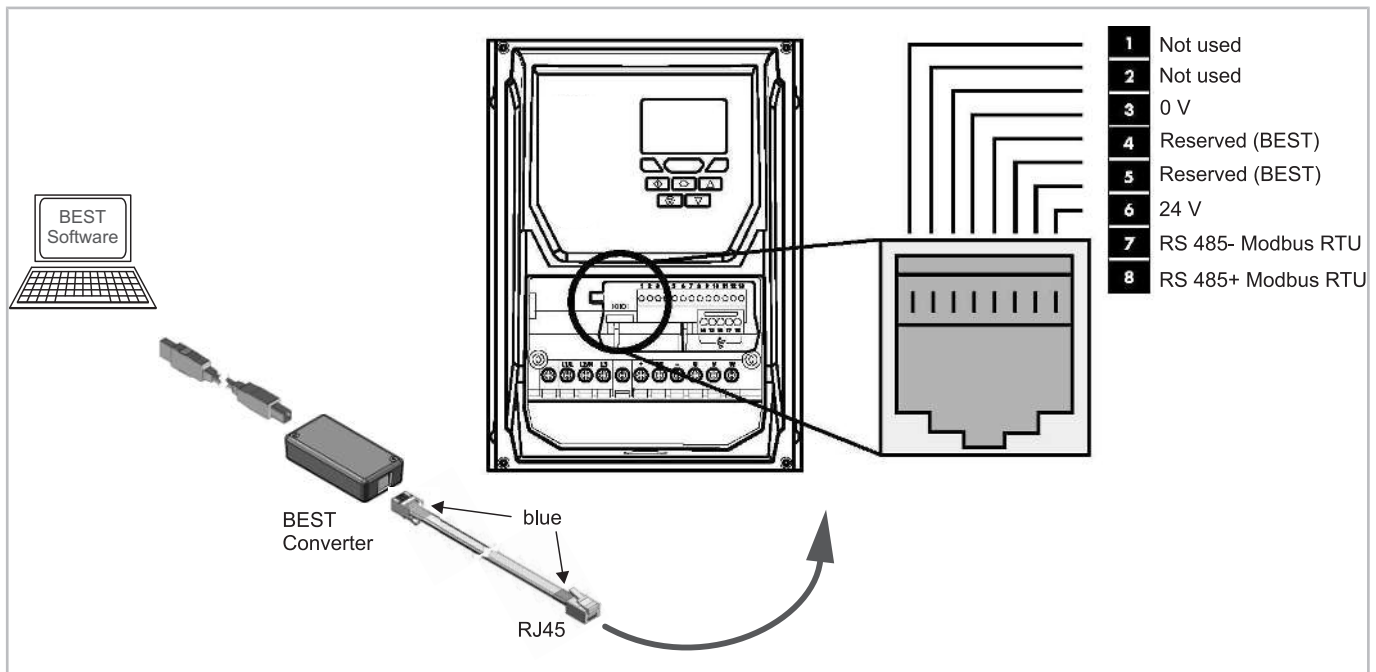
Fig. 21: Graphical representation of the general control functions of the extension module



## 7 Commissioning

Connect the FI to a PC via the BEST interface converter and the RJ45 adapter cable marked in blue.

### Communication via BEST SOFTWARE



**NOTICE**  
This is not an Ethernet connection. Do not connect directly to an Ethernet interface.

**Information**  
When using Modbus RTU, make sure that the 0 V signal (pin 3) is also used to avoid communication errors and potentially damaging common mode voltages.

See BEST - VARIPACK Documentation tab - Modbus.

#### Establish communication with the Windows BEST SOFTWARE (see figure above)

- FI must be supplied with mains voltage.
- Start the BEST SOFTWARE.
- Click the NEW button.
- Select the VARIPACK.
- Click the CONNECT button.

This concludes the connection of the VARIPACK frequency inverter to the PC.

#### Configuring the VARIPACK

- Capacity control of the compressor depending on an external setpoint signal:
  - Click the CONFIGURATION button.

- Click on the COMPRESSOR MODEL parameter and select the compressor, including the motor code and the motor connection type.
- Select the corresponding refrigerant.
- Select the "Analog setpoint input" (AI1: 0 .. 10 V / AI2: 4 .. 20 mA).
- Select the setpoint control characteristic "Min .. Max" or "0 .. Max".
- Click on the TRANSFER parameter, select it and then click on TRANSFER USER SETTINGS TO THE DEVICE.

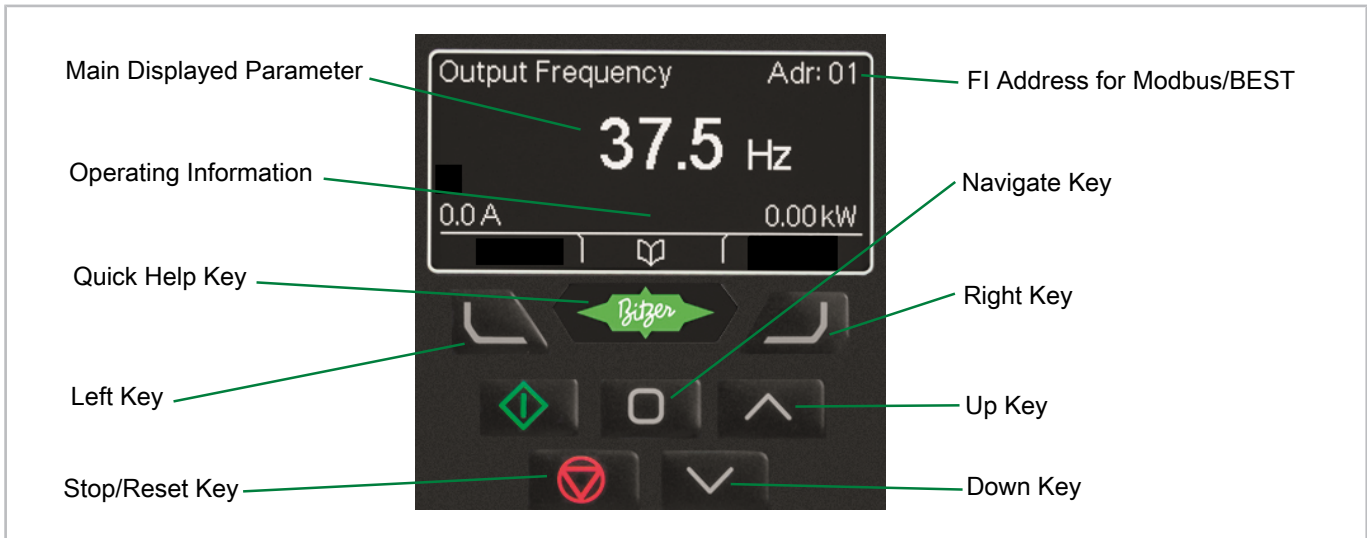
This completes the basic configuration.

- Capacity control of the compressor depending on the evaporation pressure using the extension module for pressure control (option, part no. 34797202):
  - Same procedure as above.
  - Click on the OPERATING MODE parameter and select "Pressure control".
  - If necessary, adapt the temperature and pressure settings.
  - Click on the TRANSFER parameter, select it and then click on TRANSFER USER SETTINGS TO THE DEVICE.

This completes the basic configuration.

## 8 Operation

### Managing the keypad



**Main Displayed Parameter:** Shows the currently selected parameter, e.g. motor frequency, motor current etc.

**Operating Information:** Provides a real time display of key operating information, e.g. output current and power.

**Quick Help Key:** Provides access to a short description of the displayed messages.

**Left key:** The cursor will move one digit to the left.

**Stop/Reset Key:** Used to reset a tripped FI.

**FI Address:** FI serial communication address set in parameter P5-01.

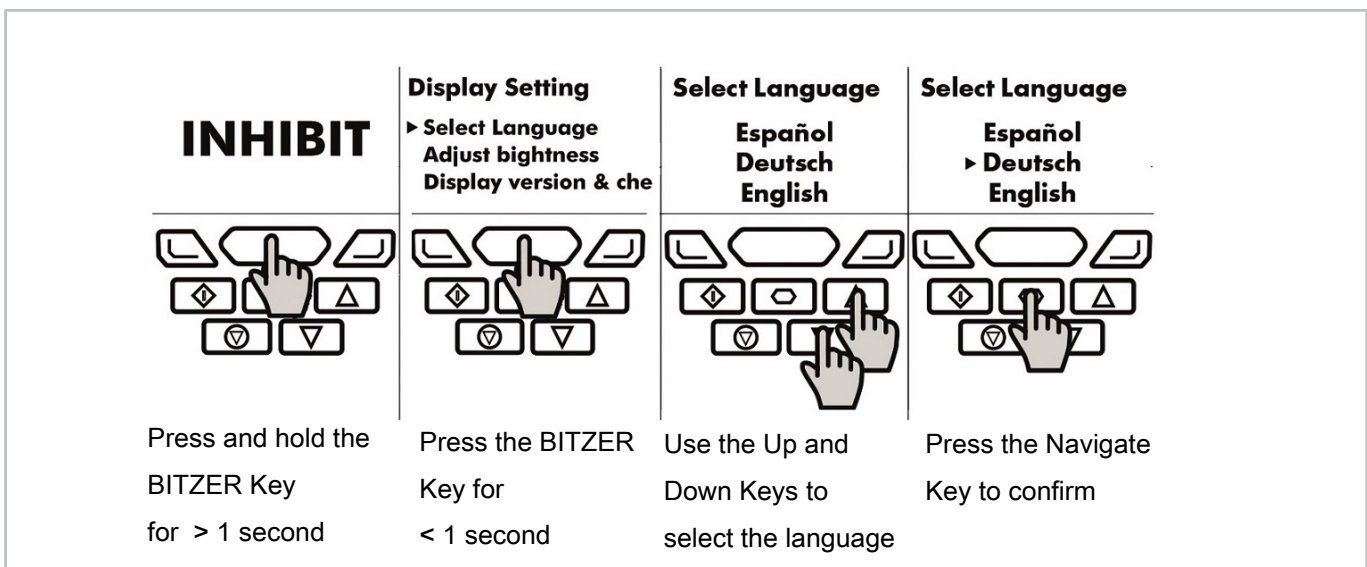
**Navigate Key:** Used to display real-time information, to access and exit the parameter edit mode and to store parameter changes.

**Right key:** The cursor will move one digit to the right.

**Up Key:** Used to increase parameter values in parameter edit mode.

**Down Key:** Used to decrease parameter values in the parameter edit mode.

### Selecting the language



### Additional display information

<b>SF↓</b> 23.7Hz 15.3A	<b>ML</b> 23.7Hz 15.3A 6.9kW	<b>OL</b> 23.7Hz 15.3A 6.9kW	<b>STOP</b> 15kW 400V 3Ph
The switching frequency was reduced due to the high heat sink temperature	The incoming mains voltage has been interrupted	Indicates an overload condition. The output current exceeds the nominal motor current	Start to start interval not yet expired

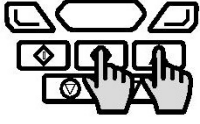
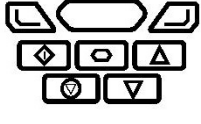
### Changing parameters

<b>Stop</b> 15kW 400V 3Ph	<b>P1-01</b> 50.0Hz	<b>P1-01</b> 50.0Hz	<b>30.0</b> ⬆ ⬇ ↑30.0 ↓3.0	<b>30.0</b> ⬆ ⬇ ↑30.0 ↓3.0
Press and hold the Navigate Key > 2 seconds	Use the Up and Down Keys to select the required parameter	Press the Navigate Key for < 1 second	Adjust the value using the Up and Down Keys	The cursor will step one digit to the left

<b>P1-08</b> 30.0A	<b>Stop</b> 15kW 400V 3Ph
Press the Navigate Key for < 1 second to return to the parameter menu	Press the Navigate Key for > 2 seconds to return to the operating display

### Selecting the parameter groups

Enter password "8670" in parameter P1-14 to enable extended parameter access. Additional parameter groups will become visible and may be selected quickly using the following method.

P1-01	P2-01
50.0Hz	5.0Hz
	
<p>Whilst in the parameter selection menu, press the Navigate and Up or Navigate and Down Keys simultaneously</p>	<p>The next highest or lowest accessible parameter group will be selected</p>

### Parameter groups

- P0 - Monitoring
- P1 - Compressor control (operating frequency, ramps, control mode and user access level)
- P2 - Miscellaneous and resonance avoidance
- P3 - Pressure/temperature control
- P5 - Communication Modbus RTU
- P8 - Rack controller (2nd compressor)

## Menu structure

Visible		Menu structure and default configuration		Monitoring
External control	Pressure control			
Operator		P0		Monitoring
Operator		P0-01	AI1 setpoint / Low pressure x.x %	0..10 V Setpoint or LP (AI1)
Operator		P0-02	AI2 setpoint / High pressure x.x %	4..20 mA Setpoint or HP (AI2)
Operator		P0-03	Digital input status xxxx	DI7 / DI6 / DI5 / DI4 / DI3 / DI2 / DI1
Operator		P0-04	Capacity regulation setpoint x.x Hz	Setpoint frequency
Operator		P0-05	Low pressure x.xx bar	Low pressure value
Operator		P0-06	High pressure x.xx bar	High pressure value
Operator		P0-07	Low pres. cut-out temp xx.x °C	Saturated temperature of the low pressure switch cut-out value
Operator		P0-08	High pres. cut-out temp xx.x °C	Saturated temperature of the high pressure switch cut-out value
Operator		P0-11	Motor voltage xxx V	Motor voltage
Operator		P0-12	Output Torque x.x %	Motor torque
Operator		P0-13	Last 4 Faults with FI-operat. hours xx	Last 4 Faults with FI operating hours
Operator		P0-16	Heatsink temperature xx.x °C	Heatsink temperature
Operator		P0-17	Start to start delay xxx s	remaining Start to start interval
Operator		P0-19	running Time xxx h	operating time of second compressor
Operator		P0-20	DC link voltage xxx V	DC link voltage
Operator		P0-21	DC bus voltage ripple xxx V	DC link voltage ripple
Operator		P0-25	Compressor frequency x.x Hz	Compressor frequency
Operator		P0-26	Energy meter (kWh) xxx kWh	Energy meter
Operator		P0-27	Energy meter (MWh) xxx MWh	Energy meter
Operator		P0-28	Firmware version x.xx	Firmware version
Operator		P0-29	Drive type xxxx	Drive Information
Operator		P0-30	Inverter serial number xxxxxxxxxxxxxxxxxxxx	Serial number of the frequency inverter
Operator		P0-31	compressor running time x h xx m xx s	Compressor operating time
Operator		P0-32	Run time since last trip (1) x h xx m xx s	Run time since last trip (1)
Operator		P0-33	Run time since last trip (2) x h xx m xx s	Run time since last trip (2)
Operator		P0-34	Run time since last enable x h xx m xx s	Run time since last enable
Operator		P0-35	lifetime cooling fan xx h	fan operating time
Operator		P0-41	counter over-current xx	Counter Over current
Operator		P0-42	counter over-voltage xx	Counter Over voltage
Operator		P0-43	counter under-voltage xx	Counter Under voltage

Fig. 22: Menu structure part 1

Operator	P0-44	counter heatsink overtemp. XX	Counter Heatsink overtemperature
Operator	P0-46	counter control board temp. XX	Counter Control board temperature
Operator	P0-49	counter Modbus comms fault XX	Counter Modbus communication fault
Operator	P0-50	Compressor Information XX	Compressor information
Operator	P0-59	Evaporating Temperature XX.X °C	Evaporating temperature (Dew point)
Operator	P0-60	Condensing Temperature XX.X °C	Condensing temperature (Dew point)
Operator	P0-61	Timed reset counter XX	Number of timed resets left
Operator	P0-62	Timed reset interval X S	Time until next compressor start in s
Operator	P0-65	FI operating time X h XX m XX s	Frequency inverter operating time
Operator	P0-70	module ID X	Module ID
Operator	P0-72	control board temperature XX °C	Control board temperature
Operator	P0-74	L1 input voltage XXX V	L1 Input voltage
Operator	P0-75	L2 input voltage XXX V	L2 Input voltage
Operator	P0-76	L3 input voltage XXX V	L3 Input voltage
Operator	P1		Compressor control
Technician	P1-01	Maximum Frequency XX.X Hz	Maximum Frequency
Technician	P1-02	Minimum Frequency XX.X Hz	Minimum Frequency
Technician	P1-03	Ramp-up time X.X S	Ramp-up time in s / 50Hz
Technician	P1-04	Ramp-down time X.X S	Ramp-down time in s / 50Hz
Technician	P1-12	Operating mode X	Operating mode
Technician	P1-13	Analog input function X	Analog input source
Operator	P1-14	Extended Menu Access XXXX	Extended Menu Access
Technician	P2		Miscellaneous and Resonance avoidance
Technician	P2-03	Force frequency XX.X Hz	Force frequency
Technician	P2-04	Hold frequency after start XX.X Hz	Hold frequency after start
Technician	P2-05	Frequency range 1: End XX.X Hz	Frequency range 1: End
Technician	P2-06	Frequency range 1: Start XX.X Hz	Frequency range 1: Start
Technician	P2-07	Frequency range 2: End XX.X Hz	Frequency range 2: End
Technician	P2-08	Frequency range 2: Start XX.X Hz	Frequency range 2: Start
Technician	P2-15	Logic of relay 1 (RL1) 0	Logic of relay DD1
Technician	P2-21	Start to Start Interval XXX S	Start to Start Interval
Technician	P2-26	Hold time on Hold freq. X.X S	Hold time after start at Hold frequency after start

Fig. 23: Menu structure part 2

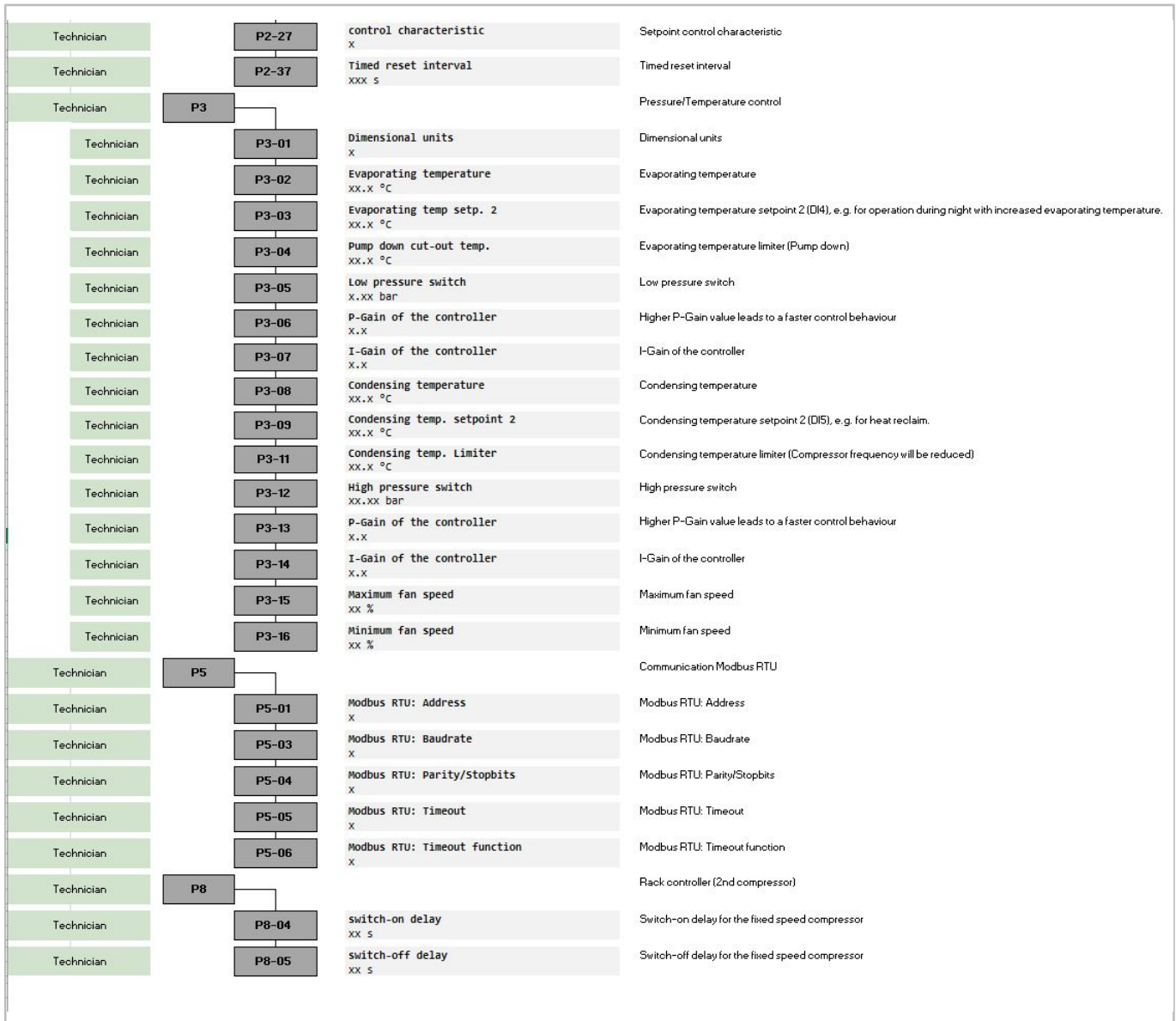


Fig. 24: Menu structure part 3

## 9 Fault messages and monitoring functions

### Description of the fault types:

Timed resets:

- "Timed reset" faults are reset automatically up to 5 times. If the fault is no longer active and the following parametrised time delay has elapsed, the compressor can restart. The factory setting for the "Timed reset interval" is 300 s. Shorter intervals should only be set in systems with a superior controller that features alarm management. Each "time reset" fault increases the reset counter by 1.
- The time reset counter is decreased by 1 for every hour of compressor operation. When a reset command is issued (reset button on the display, digital input DI3, Modbus, FI restart), the counter is set to 0.

"External resets":

- Faults of the "External reset" type are reset if the fault is no longer active and a reset command is received. The reset command can be issued by pressing the red key on the control panel or via the digital input (DI3) or via Modbus.

For a list of the possible causes of a fault as well as for the instructions regarding troubleshooting, see BEST SOFTWARE.

## 10 Maintenance



### DANGER

Life-threatening voltages inside the frequency inverter housing!



Contact can lead to serious injuries or death.

Never open the FI housing in operation! Switch off the main switch and secure it against being switched on again.

Wait for at least 10 minutes until all capacitors have been discharged!

Before switching on again, close the FI housing.

### Authorized staff

Maintenance work may only be carried out by qualified electricians. Current guidelines apply with respect to the qualification and expertise of the specialists.



### Information

For reasons of guarantee, reliability and quality, only qualified staff may carry out repairs on this device. Unless stated otherwise, VARIPACK frequency inverters must not be dismantled.

### Regular and preventive maintenance work

As part of regular maintenance work on the system:

- The heat sink fans (if mounted) should rotate smoothly and be free of dust.
- When mounted in a switch cabinet: Check the switch cabinet filter mats and clean or replace them, if necessary.



### CAUTION

In operation, the heat sink of the frequency inverter will get hot.



Risk of burns upon contact!

Prior to performing work on the frequency inverter, disconnect the power supply and wait for at least 15 minutes until the heat sink has cooled down.



---

## Inhaltsverzeichnis

<b>1 Einleitung</b> .....	<b>42</b>
<b>2 Sicherheit</b> .....	<b>42</b>
2.1 Autorisiertes Fachpersonal .....	42
2.2 Restrisiken .....	42
2.3 Persönliche Schutzausrüstung .....	42
2.4 Sicherheitshinweise .....	42
2.4.1 Allgemeine Sicherheitshinweise .....	43
<b>3 Technische Daten</b> .....	<b>44</b>
<b>4 Montage</b> .....	<b>46</b>
4.1 Transport und Lagerung .....	46
4.2 Belüftung .....	47
4.3 Maßzeichnungen .....	48
<b>5 Elektrischer Anschluss</b> .....	<b>49</b>
5.1 Eco-Design IEC61800-9-2 .....	50
5.2 Kabelquerschnitte, Anzugsmomente und Sicherungen .....	51
5.3 Anschlussabdeckung entfernen .....	52
5.4 Erdungsanschluss .....	52
5.5 Angaben zur UL-Konformität .....	52
5.6 Leistungsanschlüsse (Kabel zur Spannungsversorgung und Motorkabel) .....	53
5.7 Steueranschlüsse (Ein- und Ausgänge) .....	54
5.8 Betriebsarten .....	55
5.8.1 Auswahl des Sollwerteingangs .....	55
5.8.2 Leistungsregelung des Verdichters in Abhängigkeit eines externen Sollwertsignals (P2-27) .....	55
5.8.3 Leistungsregelung des Verdichters in Abhängigkeit des Verdampfungsdrucks .....	56
5.9 Elektromagnetische Verträglichkeit (EMV) .....	57
5.9.1 Analyse der Oberwellen .....	59
5.10 Safe Torque Off (Sicher abgeschaltetes Moment) (STO) .....	60
5.11 Prinzipschaltbilder .....	63
<b>6 Steuer- und Regelfunktionen</b> .....	<b>71</b>
6.1 Erweiterungsmodul zur Druckregelung .....	72
<b>7 Inbetriebnahme</b> .....	<b>74</b>
<b>8 Betrieb</b> .....	<b>75</b>
<b>9 Störmeldungen und Überwachungsfunktionen</b> .....	<b>81</b>
<b>10 Wartung</b> .....	<b>81</b>

## 1 Einleitung

Die VARIPACK Frequenzumrichter wurden zur Anwendung in der Kältetechnik, im speziellen zur Leistungsregelung von BITZER Verdichtern entwickelt. Neben der Drehzahlregelung können die VARIPACK Frequenzumrichter auch Steuer- und Regelfunktionen der Kälteanlage übernehmen.

Diese Betriebsanleitung beschreibt die BITZER VARIPACK Frequenzumrichter für Kältemittelverdichter. Darüber hinausgehende Informationen zur Programmierung der Modbus RTU Schnittstelle, siehe BEST SOFTWARE.

Die VARIPACK Frequenzumrichter sind nach dem aktuellen Stand der Technik und entsprechend den geltenden Vorschriften gebaut. Auf die Sicherheit der Anwender wurde besonderer Wert gelegt. Die mitgelieferte Betriebsanleitung CB-111 in der Nähe des VARIPACK Frequenzumrichters verfügbar halten!

## 2 Sicherheit

### 2.1 Autorisiertes Fachpersonal

Sämtliche Arbeiten an Frequenzumrichtern dürfen nur von Fachpersonal ausgeführt werden, das in allen Arbeiten ausgebildet und unterwiesen wurde. Für die Qualifikation und Sachkunde des Fachpersonals gelten die jeweils landesüblichen Vorschriften und Richtlinien.

### 2.2 Restrisiken

Von den Produkten, dem elektronischen Zubehör und weiteren Bauteilen können unvermeidbare Restrisiken ausgehen. Jede Person, die daran arbeitet, muss deshalb dieses Dokument sorgfältig lesen! Es gelten zwingend

- die einschlägigen Sicherheitsvorschriften und Normen,
- die allgemein anerkannten Sicherheitsregeln,
- die EU-Richtlinien,
- nationale Vorschriften und Sicherheitsnormen.

Beispielnormen: EN378, EN60204, EN60335, EN ISO14120, ISO5149, IEC60204, IEC60335, ASHRAE 15, NEC, UL-Normen.

## 2.3 Persönliche Schutzausrüstung

Bei allen Arbeiten an Anlagen und deren Bauteilen: Arbeitsschuhe, Schutzkleidung und Schutzbrille tragen. Zusätzlich Kälteschutzhandschuhe tragen bei Arbeiten am offenen Kältekreislauf und an Bauteilen, die Kältemittel enthalten können.



Abb. 1: Persönliche Schutzausrüstung tragen!

## 2.4 Sicherheitshinweise

Sicherheitshinweise sind Anweisungen, um Gefährdungen zu vermeiden. Sicherheitshinweise genauestens einhalten!



### HINWEIS

Sicherheitshinweis um eine Situation zu vermeiden, die die Beschädigung eines Geräts oder dessen Ausrüstung zur Folge haben könnte.



### VORSICHT

Sicherheitshinweis um eine potentiell gefährliche Situation zu vermeiden, die eine geringfügige oder mäßige Verletzung zur Folge haben könnte.



### WARNUNG

Sicherheitshinweis um eine potentiell gefährliche Situation zu vermeiden, die den Tod oder eine schwere Verletzung zur Folge haben könnte.



### GEFAHR

Sicherheitshinweis um eine unmittelbar gefährliche Situation zu vermeiden, die den Tod oder eine schwere Verletzung zur Folge hat.

## 2.4.1 Allgemeine Sicherheitshinweise



### GEFAHR

Lebensgefährliche Spannungen im Frequenzumrichtergehäuse!



Berühren kann zu schweren Verletzungen oder Tod führen.

FU-Gehäuse niemals im Betrieb öffnen! Hauptschalter ausschalten und gegen Wiedereinschalten sichern.

Mindestens 10 Minuten warten bis alle Kondensatoren entladen sind!

Vor Wiedereinschalten FU-Gehäuse schließen.



### GEFAHR

Eine falsche oder unzureichende Erdung kann bei Berührung des Frequenzumrichters zu lebensgefährlichen elektrischen Schlägen führen!



Den kompletten Frequenzumrichter permanent erden und Erdungskontakte regelmäßig überprüfen!

Vor jedem Eingriff in das Gerät die ordnungsgemäße Isolierung aller Spannungsanschlüsse überprüfen!



### HINWEIS

Gefahr von Ausfall des Frequenzumrichters durch Überspannung!

Vor Hochspannungsprüfungen bzw. Isolationsprüfung an den Leitungen im Betrieb: Den Frequenzumrichter immer vom zu prüfenden Stromkreis trennen!



### VORSICHT

Im Betrieb wird der Kühlkörper des Frequenzumrichters heiß.



Gefahr von Verbrennungen bei Berührung!

Vor Arbeiten am Frequenzumrichter, Stromversorgung trennen und mindestens 15 Minuten warten bis der Kühlkörper abgekühlt ist.

### 3 Technische Daten

<b>VARIPACK Frequenzumrichter</b>	
Betriebsspannung	380 .. 480 V +/- 10% (TN und TT-Netzversorgung), 50 .. 60 Hz +/-5%  Betrieb an IT Netzen auf Anfrage. Um eine Kompatibilität mit dieser Netzform und der dort installierten Netzüberwachung zu erhalten, müssen die integrierten EMV-Filter deaktiviert und spezielle externe Filter eingesetzt werden.  Betrieb an Generatoren, Notstromaggregaten und Netzen mit Blindstromkompensationsanlagen nur nach Rücksprache mit BITZER.
Ableitstrom	< 10 mA
Zulässige Phasen- asymmetrie	Maximal 3%
Schutzart	Gehäuseschutzart - IP55 und IP66 (NEMA 4X) Überspannungskategorie III
Lagerung	-40°C .. +60°C
Aufstellort	<ul style="list-style-type: none"> <li>Zulässige Umgebungstemperatur: -10°C .. +50°C. Ab 40°C Umgebungstemperatur pro Grad Celsius Leistungsminderung um 1,5% für IP55 und 2,5% für IP66 (Derating). Bei Auslegung in der BITZER SOFTWARE kann dies direkt mit berücksichtigt werden.</li> <li>Zulässige relative Luftfeuchte: max. 95%, nicht kondensierend (EN60721-3-3 Klasse 3S3 und 3C3).</li> <li>Maximal zulässige Höhe ü. NHN: 4000 m. Ab 1000 m ü. NHN pro 100 m Leistungsreduzierung um 1% (Derating). Bei Auslegung in der BITZER SOFTWARE kann dies direkt mit berücksichtigt werden.</li> <li>IP55: Umgebung nach EN60664-4: Verschmutzungsgrad 2, nicht entflammbar, nicht korrosiv.  IP66: Umgebung nach EN60664-4: Verschmutzungsgrad 4, nicht entflammbar, nicht korrosiv.</li> </ul>
Vibrationen / Schwin- gungen	Test nach EN 60068-2-6 (Fc), 10 Zyklen pro Achse auf jeder von drei zueinander senkrechten Achsen: <ul style="list-style-type: none"> <li>10 Hz &lt; f &lt; 57 Hz sinusförmig 0,075 mm Amplitude.</li> <li>57 Hz &lt; f &lt; 150 Hz sinusförmig 1 g.</li> </ul>
Sicher abgeschalte- tes Moment (STO)	Das sicher abgeschaltete Moment ist eine Sicherheitsfunktion für den elektrischen Leistungsantrieb, Sicher abgeschaltetes Moment (STO).
EMV	Der Verdichter mit Frequenzumrichter (FU) entspricht der EU-EMV-Richtlinie 2014/30/EU, siehe Kapitel Elektromagnetische Verträglichkeit (EMV), Seite 57.

Die Auswahl und Zuordnung der VARIPACK Frequenzumrichter zu den BITZER Verdichtern geschieht über die BITZER SOFTWARE unter der Schaltfläche ZUBEHÖR.

**Nennwerttabelle**
**380 ... 480V (+/- 10%), 3-Phaseneingang, 3-Phasenausgang**

Typ	Gewicht		Nennleistung		Nenn-Eingangsstrom	Nenn-Ausgangsstrom	Besondere Merkmale
	kg		kW	HP			
	kg		kW	HP	A	A	C2 EMV Filter
FMY+6-4	4,8		2,2	3	4,7	5,8	Integriert
FMY+10-4	4,8		4	5	7,7	9,5	Integriert
FMY+14-4	4,8		5,5	7,5	11,4	14	Integriert
FNY+18-4	7,7		7,5	10	15	18	Integriert
FNY+24-4	7,7		11	15	20,5	24	Integriert
FNY+30-4	7,7		15	20	25,3	30	Integriert
FOY+39-4	9,5		18,5	25	35,2	39	Integriert
FOY+46-4	9,5		22	30	42,2	46	Integriert
FPW+61-4	23		30	40	52,3	61	Integriert
FPW+72-4	23		37	50	62,5	72	Integriert
FPW+90-4	23		45	60	79,5	90	Integriert
FQW+110-4	55		55	75	126,4	110	Extern*
FQW+150-4	55		75	100	164,7	150	Extern*
FQW+180-4	55		90	150	192,1	180	Extern*
FRW+202-4	89		110	175	210,8	202	Extern*
FRW+240-4	89		132	200	241	240	Extern*
FRW+302-4	89		160	250	299	302	Extern**

\* Externer EMV Filter für C2 EMV-Grenze: Teilenummer: 347 955 02, Bezeichnung: FN 3359-250-28

\*\* Externer EMV Filter für C2 EMV-Grenze: Teilenummer: 347 955 03, Bezeichnung: FN 3359-320-99

## 4 Montage

- Die Montage des Frequenzumrichters darf nur in senkrechter Lage erfolgen.
- Der Einbau muss auf einer geeigneten flachen, flammbeständigen Unterlage erfolgen. In der Nähe des FU kein brennbares Material montieren.
- Der Montageort muss die Einhaltung der technischen Daten gewährleisten.
- Der Montageort muss schwingungsfrei sein.
- Den FU nicht dort montieren, wo übermäßige Feuchtigkeit, korrodierende Stoffe oder möglicherweise gefährliche Staubteilchen in der Luft vorhanden sind.
- Nicht in der Nähe starker Wärmequellen montieren.
- Der FU darf nicht an Stellen mit direkter Sonneneinstrahlung montiert werden. Gegebenenfalls eine geeignete Sonnenabdeckung installieren.
- Den Luftstrom durch den FU-Kühlkörper nicht behindern. Im FU entsteht Hitze, die auf natürliche Art abgeleitet werden muss. Um den FU herum müssen die vorgegebenen Mindestabstände eingehalten werden.

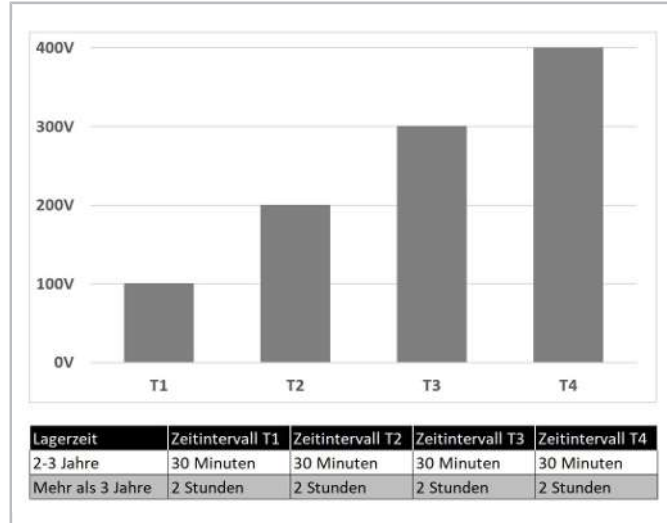


Abb. 2: Formierung

### 4.1 Transport und Lagerung



#### HINWEIS

Gefahr von Schäden am Frequenzumrichter! Frequenzumrichter nicht an den Anschlüssen anheben oder aufsetzen.

Nur auf sauberen, ebenen und trockenen Flächen abstellen.

Lagerung nur an gut belüfteten Orten und geschützt vor hohen Temperaturen, Feuchtigkeit, Staub und Metallpartikeln!



#### Information

Bei einer Lagerzeit des FU (Baureihe FQW und FRW) von mehr als 2 Jahren müssen die Zwischenkreiskondensatoren formiert werden.

Lagertemperatur: -40°C .. +60°C.

## 4.2 Belüftung



### HINWEIS

Die Frequenzumrichter geben im Betrieb Wärme ab.

Eine unzureichende oder blockierte Luftzirkulation und Luftzufuhr am Kühlkörper des Frequenzumrichters kann zum Ausfall durch Überhitzung führen!

Mindestabstände für die Belüftung einhalten!

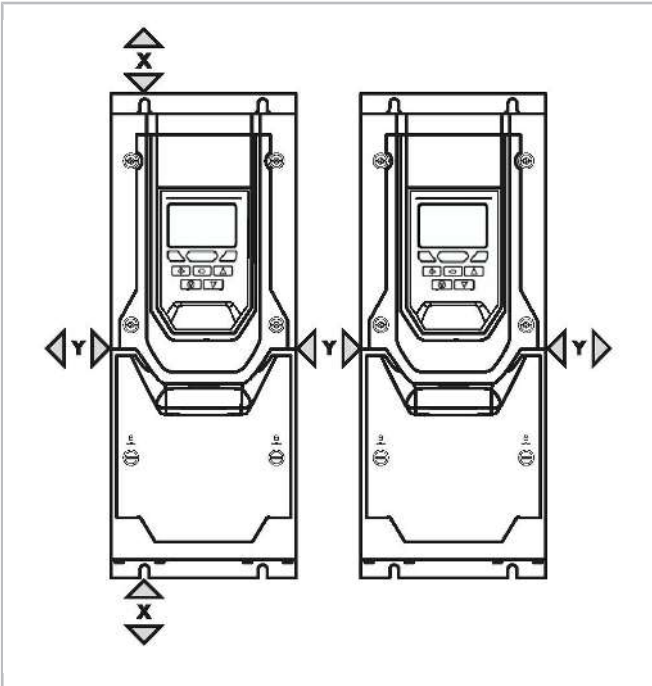


Abb. 3: Mindestbelüftungsabstände IP55, IP66

Mindestbelüftungsabstände		
	X	Y
	mm	mm
F.Y	200	10
F.W	200	10

### 4.3 Maßzeichnungen

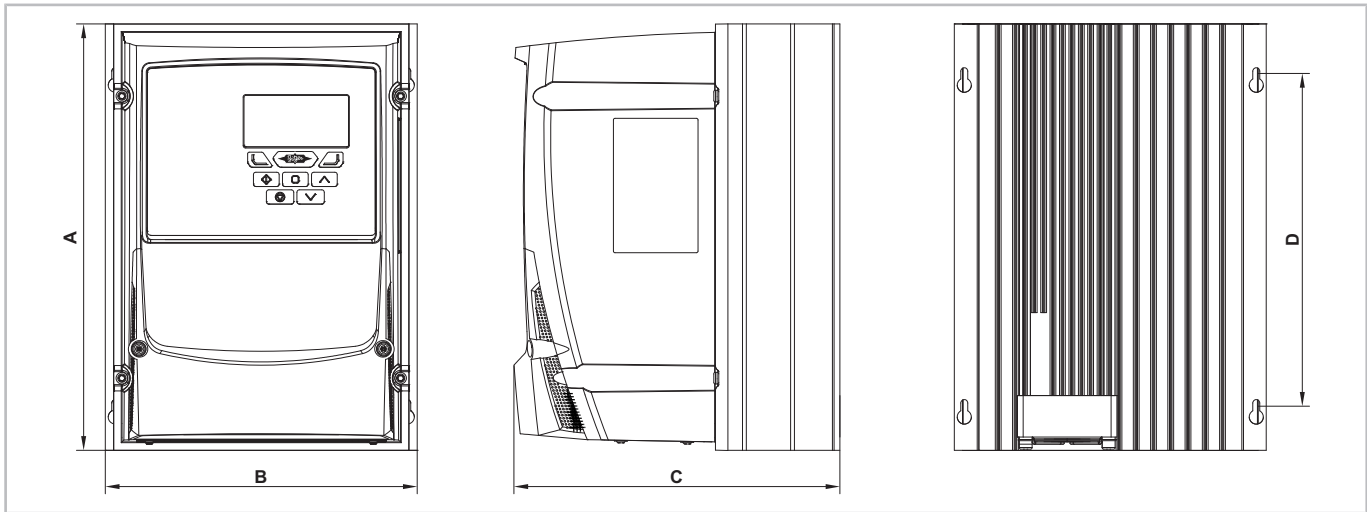


Abb. 4: IP66

	A	B	C	D	E
	mm	mm	mm	mm	mm
FMY+6-4, FMY+10-4	257	188	172	200	176
FMY+14-4	257	188	196	200	176
FNY+18-4, FNY+24-4, FNY+30-4	310	211	225	252	198
FOY+39-4, FOY+46-4	360	240	260	300	227

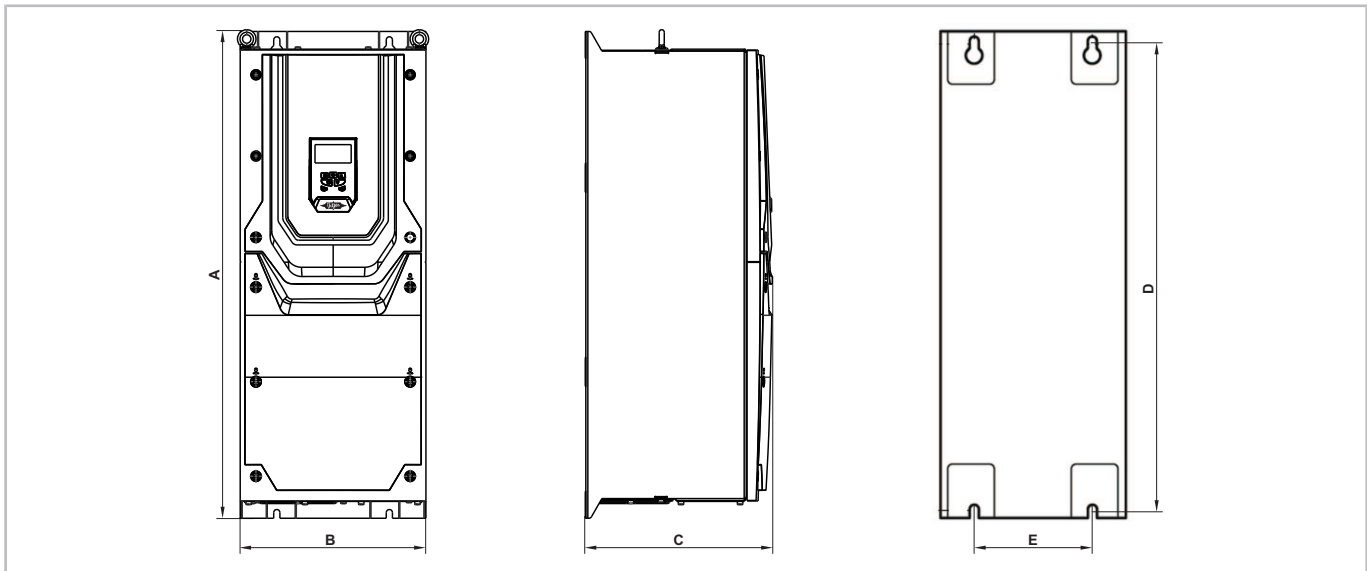


Abb. 5: IP55

	A	B	C	D	E
	mm	mm	mm	mm	mm
FPW+61-4, FPW+72-4, FPW+90-4	540	235	270	520	175
FQW+110-4, FQW+150-4, FQW+180-4	865	330	330	840	200
FRW+202-4, FRW+240-4, FRW+302-4	1280	330	360	1255	200



## 5 Elektrischer Anschluss

Vor Arbeiten an der Elektrik:



### GEFAHR

Lebensgefährliche Spannungen im Frequenzumrichtergehäuse!



Berühren kann zu schweren Verletzungen oder Tod führen.

FU-Gehäuse niemals im Betrieb öffnen! Hauptschalter ausschalten und gegen Wiedereinschalten sichern.

Mindestens 10 Minuten warten bis alle Kondensatoren entladen sind!

Vor Wiedereinschalten FU-Gehäuse schließen.



### GEFAHR

Sobald der Frequenzumrichter unter Spannung steht, werden die Kondensatoren im Zwischenkreis geladen.



Ab diesem Zeitpunkt geht von allen elektrischen Bauteilen im Frequenzumrichter Gefahr aus!

Für den Betrieb des Frequenzumrichters sind folgende elektrische Anschlüsse nötig:

- Erdungsanschluss.
- Leistungsanschlüsse (Strom- und Motorkabel).
- Steueranschlüsse.

Für Auslegung der Kabelquerschnitte, Anzugsmomente der Erdungs- und Leistungsanschlüsse und Sicherungen siehe Kapitel Kabelquerschnitte, Anzugsmomente und Sicherungen, Seite 51. Es müssen Sicherungen des Typs gG (IEC 60269) oder Sicherungen UL Typ J, T oder CC verwendet werden oder Überlastschalter mit entsprechender Charakteristik.

Gemäß IEC61800-5-1 ist eine Festinstallation erforderlich, wobei zwischen dem FU und dem Netzanschluss eine geeignete Trennvorrichtung eingebaut sein muss. Die Trennvorrichtung muss den örtlichen Sicherheitsvorschriften entsprechen (z. B. innerhalb Europa, EN60204-1, Sicherheit von Maschinen).

## 5.1 Eco-Design IEC61800-9-2

### IP55

VARIPACK Verlustleistung nach IEC61800-9-2											
Typ	Scheinleistung (kVA)	IE Klasse	45 Hz	45 Hz	25 Hz	25 Hz	25 Hz	0 Hz	0 Hz	0 Hz	Standby
			100% Last	50% Last	100% Last	50% Last	25% Last	100% Last	50% Last	0% Last	
			Verluste %	Verluste %	Verluste %	Verluste %	Verluste %	Verluste %	Verluste %	Verluste %	W
VARIPACK IP66, 3Ph. Eingang, 3Ph. Ausgang, 380-480V 50/60Hz, EMV Filter, TFT Display											
FPW+61-4	42,26	IE2	1,6	0,9	1,8	1,1	0,8	1,8	1,1	0,9	15,3
FPW+72-4	49,88	IE2	1,7	0,9	1,9	1,1	0,8	1,9	1,1	0,8	15,3
FPW+90-4	62,35	IE2	1,8	1,4	2,1	1,1	0,8	1,9	1,1	0,8	15,3
FQW+110-4	76,21	IE2	1,6	0,8	1,3	0,7	0,7	1,1	0,7	0,7	31
FQW+150-4	103,92	IE2	1,6	0,8	1,5	0,8	0,5	1,2	0,7	0,5	31
FQW+180-4	124,71	IE2	1,7	0,9	1,7	0,8	0,5	1,5	0,8	0,5	31
FRW+202-4	139,95	IE2	1,7	0,9	1,6	0,7	0,5	0,1	0,6	0,4	38
FRW+240-4	166,28	IE2	1,6	0,9	1,4	0,8	0,5	1,1	0,6	0,4	38
FRW+302-4	209,23	IE2	1,7	0,9	1,5	0,7	0,5	1,2	0,6	0,5	38

### IP66

VARIPACK Verlustleistung nach IEC61800-9-2											
Typ	Scheinleistung (kVA)	IE Klasse	45 Hz	45 Hz	25 Hz	25 Hz	25 Hz	0 Hz	0 Hz	0 Hz	Standby
			100% Last	50% Last	100% Last	50% Last	25% Last	100% Last	50% Last	0% Last	
			Verluste %	Verluste %	Verluste %	Verluste %	Verluste %	Verluste %	Verluste %	Verluste %	W
VARIPACK IP66, 3Ph. Eingang, 3Ph. Ausgang, 380-480V 50/60Hz, EMV Filter, TFT Display											
FMY+6-4	4,02	IE2	2,1	1,6	2,3	1,8	1,7	2,1	1,6	1,6	15,7
FMY+10-4	6,58	IE2	2,1	2,9	2,2	1,7	1,5	2,1	1,7	1,5	17,1
FMY+14-4	9,70	IE2	1,9	1,1	2	1,3	1,3	1,9	1,1	1,3	18,8
FNY+18-4	12,47	IE2	2,4	1,3	2,2	1,4	1,2	1,9	1,4	1,2	10
FNY+24-4	16,63	IE2	2,5	1,6	3	2	1,7	2,5	1,6	1,7	10,9
FNY+30-4	20,78	IE2	2,7	1,5	3	1,9	1,5	2,7	1,5	1,5	9,4
FOY+39-4	27,02	IE2	1,6	1	1,7	1,1	0,9	1,6	1	0,9	12
FOY+46-4	31,87	IE2	1,8	1	1,9	1,2	1	1,8	1,2	1	11,5

## 5.2 Kabelquerschnitte, Anzugsmomente und Sicherungen

Größe des FU	Eingangsnennstrom	Maximale Kabelquerschnitte und Anzugsmomente						Sicherungen	
		Steueranschlüsse		Leistungsanschlüsse		Erdungsanschlüsse		Max. Sicherungsnennstrom (A)	
	A	mm <sup>2</sup>	Nm	mm <sup>2</sup>	Nm	mm <sup>2</sup>	Nm	Non-UL	UL
FMY+6-4	4,7	1,5	0,5	8	0,8	M4 Ringkabelschuh	2	6	6
FMY+10-4	7,7							10	10
FMY+14-4	11,4							16	15
FNY+18-4	15							25	20
FNY+24-4	20,5							25	25
FNY+30-4	25,3							32	35
FOY+39-4	35,2			16	2	50	45		
FOY+46-4	42,2							63	60
FPW+61-4	52,3			35	4	35	4	63	70
FPW+72-4	62,5							80	80
FPW+90-4	79,5							100	100
FQW+110-4	126,4			150	15	150	15	160	175
FQW+150-4	164,7							200	200
FQW+180-4	192,1							250	250
FRW+202-4	210,8							315	300
FRW+240-4	241							315	300
FRW+302-4	299	400	400						



### Information

Die angezeigten Kabelgrößen sind die maximal möglichen, die an den FU angeschlossen werden können. Die Kabel gemäß den örtlichen Verkabelungsregelungen bzw. -vorschriften am Einbauort auswählen.

### 5.3 Anschlussabdeckung entfernen

Befestigungsschrauben der Anschlussabdeckung gegen den Uhrzeigersinn drehen und Abdeckung entfernen.

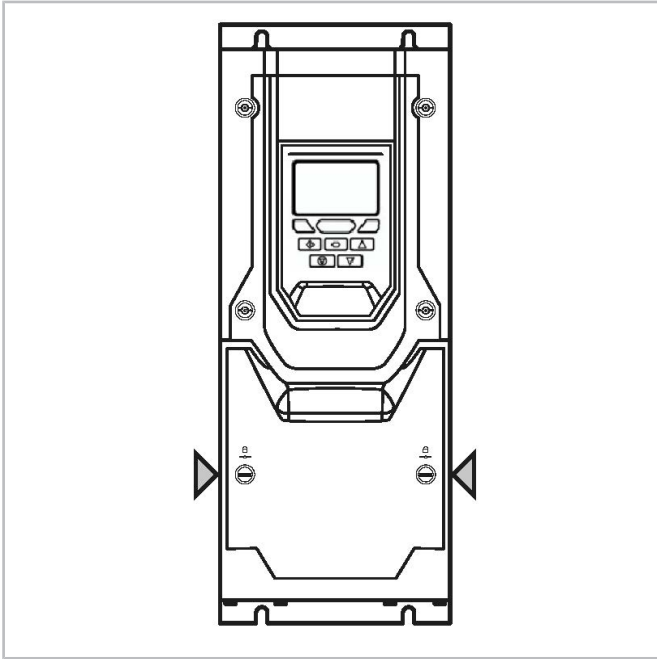


Abb. 6: Befestigungsschrauben für Anschlussabdeckung

### 5.4 Erdungsanschluss

- IP66: M4 Ringkabelschuh Befestigung am Grund
- IP55: Normaler Kabelschuh

Die EN 61800-5-1 (Produktnorm für elektrische Leistungsantriebssysteme mit einstellbarer Drehzahl) und DIN EN 50178 DIN VDE 0160 (Ausrüstung von Starkstromanlagen mit elektronischen Betriebsmitteln) stellen besondere Anforderungen an die Erdung, sobald 3,5 mA Erdableitstrom überschritten werden.

- Der Querschnitt des Schutzleiters bei den Phasen (L1, L2, L3)  $< 16 \text{ mm}^2$  muss einfach ausgeführt  $10 \text{ mm}^2$  betragen oder mit dem jeweiligen Phasenquerschnitt doppelt ausgeführt werden.
- Bei Phasen (L1, L2, L3)  $\geq 16 \text{ mm}^2$  und  $\leq 35 \text{ mm}^2$  muss der Schutzleiter  $16 \text{ mm}^2$  betragen.
- Bei Phasen (L1, L2, L3)  $> 35 \text{ mm}^2$  muss der Querschnitt des Schutzleiters mindestens 50% der verwendeten Phasen (L1, L2, L3) betragen.

Alle im VARIPACK Frequenzumrichter freiliegenden Metallteile sind durch eine Basisisolierung geschützt und geerdet.



### WARNUNG

Die VARIPACK Frequenzumrichter können einen Gleichstrom im Schutzleiter verursachen. Gefahr von Stromschlag bei Berührung!



Wo für den Schutz im Falle einer direkten oder indirekten Berührung eine Fehlerstromschutzeinrichtung (RCD) oder ein Fehlerstromüberwachungsgerät (RCM) verwendet wird, ist auf der Stromversorgungsseite dieses Produktes nur ein RCD oder RCM vom Typ B (gemäß IEC/EN 60755) zulässig!

### Fehlerstromschutzschalter (RCD oder FI-Schalter)

- Nur allstromsensitive FI-Schutzschalter (RCD) vom Typ B verwenden, die in der Lage sind auch Gleichfehlerströme zu erfassen verwenden.
- Für jeden FU einen separaten RCD in Bezug auf Systemkonfiguration und Umgebungsbedingungen bemessen.

### 5.5 Angaben zur UL-Konformität

Der Frequenzumrichter ist so ausgelegt, dass er die UL-Anforderungen erfüllt. Eine aktuelle Auflistung UL-konformer Produkte ist im UL-File NMMS E475976 ersichtlich. Um uneingeschränkte Konformität zu gewährleisten, müssen die folgenden Punkte vollständig eingehalten werden.

### Anforderungen an die Eingangsstromversorgung

Versorgungsspannung	380 ... 480 V +/- 10% (TN- und TT-Netze)
Frequenz	50 ... 60 Hz +/- 5%
Kurzschlussleistung	Alle FU sind für den Einsatz in einem Stromkreis geeignet, der einen maximalen Kurzschlussstrom von 100 kA symmetrisch zur angegebenen maximalen Versorgungsspannung liefern kann, wenn sie durch Sicherungen der Klasse J geschützt sind.

### Mechanische Installationsanforderungen

Alle Frequenzumrichtereinheiten sind für den Einbau in kontrollierten Umgebungen vorgesehen, die die im Abschnitt Technische Daten dieser Kurzanleitung angegebenen Grenzbedingungen erfüllen.

Bei Typ IP55-Geräten ist ein Einbau in einer Umgebung mit dem Verschmutzungsgrad 2 zulässig.

Bei Typ IP66-Geräten (Nema 4X) ist ein Einbau in einer Umgebung mit dem Verschmutzungsgrad 4 zulässig.

## Anforderungen an elektrische Anschlüsse

Die Auswahl geeigneter Strom- und Motorkabel sollte gemäß den Angaben im Abschnitt Technische Daten dieser Kurzanleitung und dem „National Electrical Code“ (NEC, USA) oder anderen gültigen örtlichen Bestimmungen erfolgen.

Ein Motorkabel aus Kupferdraht, ausgelegt für mindestens 75°C, ist zu verwenden.

Der integrierte Halbleiter-Kurzschlusschutz bietet keinen Leitungsschutz. Der Leitungsschutz muss gemäß dem „National Electrical Code“ (NEC, USA) oder anderen zusätzlichen örtlichen Regelungen bereitgestellt werden. Die entsprechenden Nennwerte sind im Abschnitt Technische Daten dieser Kurzanleitung angegeben.

Bei Installationen in Kanada muss auf der Versorgungsseite dieser Ausrüstung eine Unterdrückung transientscher Überspannungen eingebaut sein, die eine Nennspannung von 480 V (Phase zu Erdung) und 480 V (Phase zu Phase) aufweist, die für Überspannungen der Kategorie III geeignet ist und Schutz gegen einen Stoßspannungsspitzenwert von 2,5 kV bietet.

Bei allen Stromschienen- und Erdungsanschlüssen müssen UL-gelistete Ringklemmen/-schuhe verwendet werden.



### WARNUNG

Das Auslösen einer Schutzeinrichtung kann darauf hinweisen, dass dies durch einen Fehler verursacht wurde. Zur Verringerung der Brandgefahr oder der Gefahr eines Stromschlags sollten stromführende Teile sowie andere Bauteile der Steuerung überprüft und bei Beschädigung ausgetauscht werden. Brennt das stromführende Bauteil eines Überlastrelais durch, so muss das gesamte Überlastrelais ausgetauscht werden.



## 5.6 Leistungsanschlüsse (Kabel zur Spannungsversorgung und Motorkabel)



### GEFAHR

Eine falsche oder unzureichende Erdung kann bei Berührung des Frequenzumrichters zu lebensgefährlichen elektrischen Schlägen führen! Den kompletten Frequenzumrichter permanent erden und Erdungskontakte regelmäßig überprüfen!

Vor jedem Eingriff in das Gerät die ordnungsgemäße Isolierung aller Spannungsanschlüsse überprüfen!

## Kabeldurchführung vorbereiten

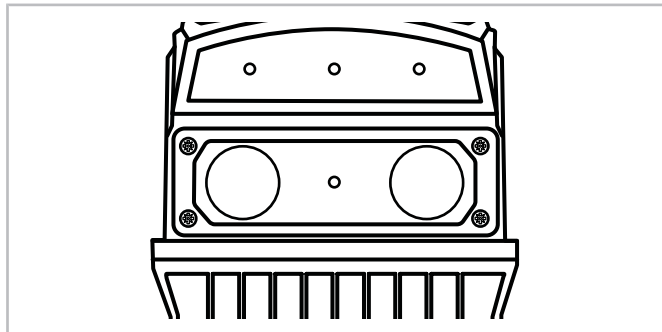


Abb. 7: Kabeldurchführungsplatte IP66



### Information

Die Löcher für Kabelverschraubungen von Spannungsversorgung, Steuerleitungen und Motorkabel (EMV) müssen in die Kabeldurchführungsplatte gebohrt werden. Kabelverschraubungen für Steuer- und Busleitungen können alternativ auch in der oberen Plastikabdeckung angebracht werden (IP66). Damit kein Bohrstaub oder Partikel in das Gehäuse gelangen, muss die Kabeldurchführungsplatte vor dem Bohren entfernt werden!

Die Verwendung eines geeigneten Verschraubungssystems ist erforderlich, um die entsprechende IP- / NEMA-Schutzart aufrechtzuerhalten.

- IP55: Kabeldurchführungsplatte abschrauben, Löcher für Kabel zur Spannungsversorgung, Motorkabel und Steuerleitungen bohren und Kabelverschraubungen in die Kabeldurchführungsplattlöcher montieren. Anschließend Platte wieder befestigen.
- IP66: Kabeldurchführungsplatte abschrauben und Kabelverschraubungen in die vorgesehenen Kabeldurchführungsplattlöcher montieren. Für das Steuerkabel muss ein separates Loch gebohrt und mit einer Kabelverschraubung versehen werden. Anschließend Platte wieder befestigen

## Kabeldurchführungsabmessungen

Größe des FU	Größe der Bohrung	Empfohlene PG-Durchführung	Alternative metrische Durchführung
M, N	27 mm	PG21	M25
O	37 mm	PG29	M32
P, Q, R	nicht vorbereitet	-	-

## Kabel anschließen

Kabel zur Spannungsversorgung und geschirmtes Motorkabel durch die Kabelverschraubungen in den VARI-PACK Frequenzumrichter führen und an die Leistungsklemmen anschließen. Anzugsmomente der Klemmen beachten siehe Kapitel Kabelquerschnitte, Anzugsmomente und Sicherungen, Seite 51!

- Anschluss der Spannungsversorgung an die Klemmen L1, L2, L3 und Schutzleiterklemme. Die Phasenfolge spielt keine Rolle.
- Anschluss des Motorkabels an die Klemmen U, V, W und Schutzleiterklemme.
- Hinweise zur Elektromagnetischen Verträglichkeit (EMV) siehe Kapitel Elektromagnetische Verträglichkeit (EMV), Seite 57 beachten!

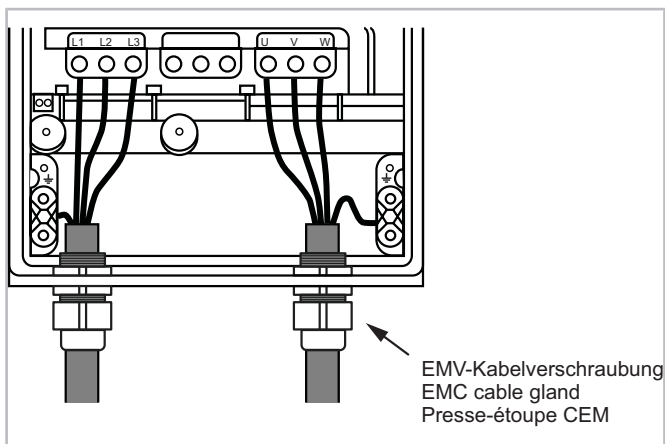


Abb. 8: Leistungsanschlüsse (Kabel zur Spannungsversorgung und Motorkabel)

## 5.7 Steueranschlüsse (Ein- und Ausgänge)

### Information

Die gesamte externe Verdrahtung muss für die höchste Systemspannung zugelassen sein! Alle Steuer- und Signalklemmen garantieren Sicherheitskleinspannungen (SELV), d. h. sie sind durch eine doppelte Isolierung geschützt.

Spezifikation der Steueranschlüsse:

- Leitungen mit isolierten oder unisolierten Aderendhülsen: 0,25 .. 1,5 mm<sup>2</sup>.

### Digitaleingänge

- Funktion
  - 2: DI1 (Start)  
Verdichteranlauf-Befehl.
  - 3: DI2 (Force)

Betrieb des Verdichters mit einer konfigurierbaren Frequenz (50 Hz Werkseinstellung).

- 4: DI3 (Reset)  
Entriegeln von Störungen.

### Technische Daten

- Status:
  - Aus: 0 .. 7 V DC
  - Ein: 8 .. 30 V DC
- Max. Eingangsspannung: +30 V DC
- Eingangsimpedanz: 10 kΩ.

### Analogeingänge

#### Funktion

- 6: AI1 (V / p0)  
Externe Regelung: Sollwert als 0 .. 10 V Signal.  
Mit Erweiterungsmodul (Druckregelung): Eingang für Niederdruckmessumformer.
- 7: 0 V
- 10: AI2 (mA / pc)  
Externe Regelung: Sollwert als 4 .. 20 mA Signal.  
Mit Erweiterungsmodul (Druckregelung): Eingang für Hochdruckmessumformer.

#### Technische Daten

- Eingangssignal: 0 .. 10 V oder 4 .. 20 mA
- Max. Eingangsstrom: ≤ 20 mA (Stromsignal)
- Max. Eingangsspannung: +30 V DC (Spannungssignal)
- Eingangsimpedanz:
  - Spannungsbereich: 86 kΩ
  - Strombereich: 500 Ω

### Analogausgänge

#### Funktion

- 8: AO1 (Fan)  
Externe Regelung: ohne Funktion.  
Mit Erweiterungsmodul (Druckregelung): Ansteuerung Verflüssigerventilator 0 .. 10 V.

- 11: AO2  
Reserve.

#### Technische Daten

- Ausgangssignal: 0 .. 10 V.

- Max. Ausgangsstrom: 20 mA, mit Kurzschlusschutz.
- Ausgangsimpedanz: Spannungsbereich 86 kΩ.

Ein: 18 .. 30 V DC

- Max. Eingangsspannung: +30 V DC

## Relais

- Funktion
  - 14: RL1-In → 15: RL1-NO  
 "Keine Störung" (Werkseinstellung) oder "Keine Störung und keine Verzögerungszeit" oder "Keine Störung, keine Verzögerungszeit und Start" über Parameter "Logik des Relais 1 (RL1)" P2-15 konfigurierbar.
  - 17: RL2-A → 18: RL2-B  
 Verdichter läuft.
- Technische Daten
  - Potenzialfreies Relais.
  - Maximaler Schaltstrombereich: 5 A (250 V AC / 30 V DC)
  - Minimaler Schaltstrombereich: 20 mA (Min. 24 V AC / 24 V DC)
  - Der Schutz vor induktiven oder kapazitiven Lasten muss durch externe Maßnahmen erfolgen.



### Information

Der STO-Eingang muss beschaltet werden um den Anlauf des Verdichters zu ermöglichen!

## STO

- Funktion Sicher abgeschaltetes Moment (STO)
  - 12: STO  
 STO-Eingang (Sicher abgeschaltetes Moment).
  - 13: Common
- Technische Daten
  - Status:  
 Aus: < 18 V DC

## 5.8 Betriebsarten

Der VARIPACK Frequenzumrichter kann in zwei unterschiedlichen Betriebsarten betrieben werden:

- Leistungsregelung des Verdichters in Abhängigkeit eines externen Sollwert-Signals (siehe Kapitel Auswahl des Sollwerteingangs, Seite 55).
- Leistungsregelung des Verdichters in Abhängigkeit des Verdampfungsdrucks, dafür wird das optionale Erweiterungsmodul zur Druckregelung benötigt (siehe Kapitel Leistungsregelung des Verdichters in Abhängigkeit des Verdampfungsdrucks, Seite 56).

Neben der direkten Verdampfungsdruckregelung kann der Verflüssigerventilator über ein 0 .. 10 V Ausgangssignal geregelt und ein zweiter Verdichter hinzu geschaltet werden.

### 5.8.1 Auswahl des Sollwerteingangs

Die VARIPACK Frequenzumrichter können durch Parameteränderung (P1-13) mit einem 0 .. 10 V (Werkseinstellung) oder 4 .. 20 mA Signal angesteuert werden.

### 5.8.2 Leistungsregelung des Verdichters in Abhängigkeit eines externen Sollwertsignals (P2-27)

- Bei der Steuercharakteristik "Min .. Max" läuft der Verdichter an, wenn der Anlaufbefehl DI1 erteilt wird. Das Sollwertsignal steuert die Frequenz linear zwischen der minimalen und maximalen Frequenz des Verdichters.
  - Wird ein 0 .. 10 V Signal verwendet ist dies am Eingang AI1 (6) anzuschließen.
  - Wird ein 4 .. 20 mA Signal verwendet ist dies am Eingang AI2 (10) anzuschließen.

Grafische Erläuterung der Steuercharakteristik "Min .. Max" siehe Abbildung 9, Seite 56.

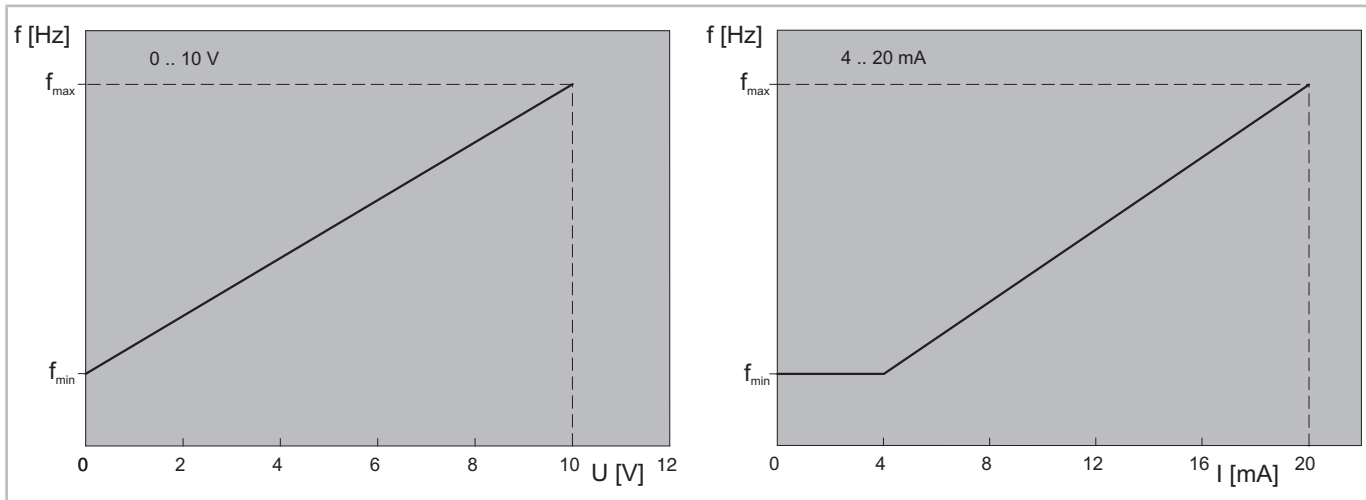


Abb. 9: Steuercharakteristik "Min ..Max"

### Steuercharakteristik "0 .. Max"

Alternativ kann die Steuercharakteristik "Min .. Max" durch Parameteränderung auf "0 .. Max" umgestellt werden.

- Bei der Steuercharakteristik "0 .. Max" ist für den Start des Verdichters neben dem Anlaufbefehl DI1 (2) ein Sollwertsignal von  $> 1\%$  (0,1 V) erforderlich.

Das Sollwertsignal gibt die Frequenz zwischen 0 Hz und der maximalen Frequenz vor. Ist das Signal  $> 1\%$  aber niedriger als die minimale Frequenz des Verdichters, läuft der Verdichter mit minimaler Frequenz.

Grafische Erläuterung der Steuercharakteristik "0 .. Max" siehe Abbildung 10, Seite 56.

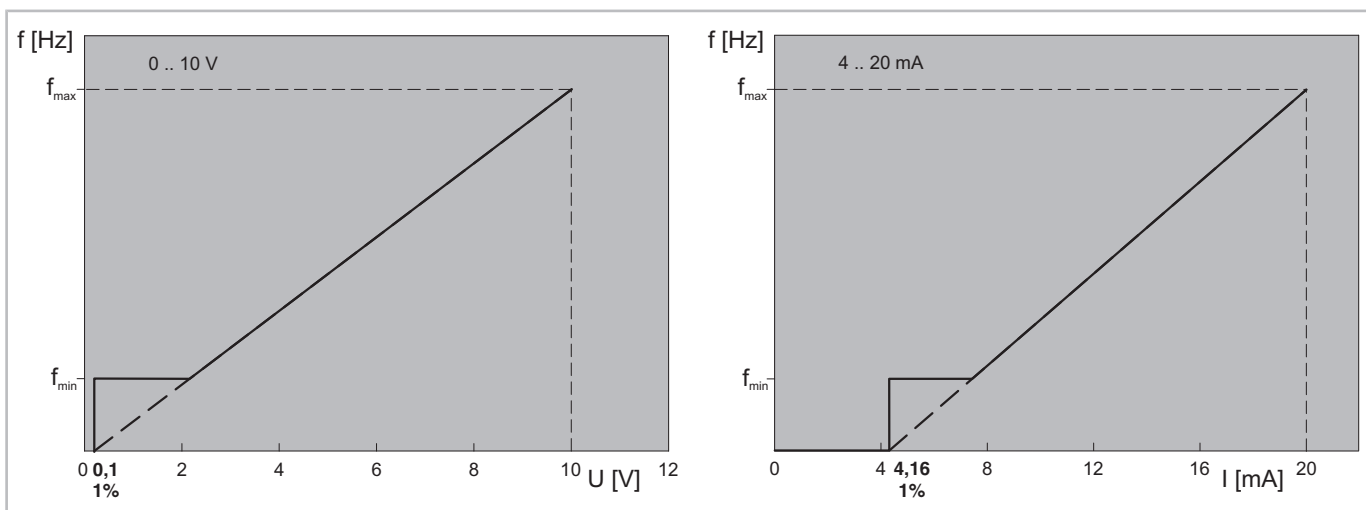


Abb. 10: Steuercharakteristik "0 .. Max"

### 5.8.3 Leistungsregelung des Verdichters in Abhängigkeit des Verdampfungsdrucks

Um die Leistung des Verdichters in Abhängigkeit des Verdampfungsdrucks zu regeln wird das optionale Erweiterungsmodul zur Druckregelung benötigt.

Erweiterungsmodul-Bausatz (Teilenummer 34797202) montieren:

- Erweiterungsmodul in den Erweiterungsschacht des FU drücken und die zwei Schrauben mit einem T10 Schraubenzieher festziehen.
- Druckmessumformer
  - Druckmessumformer mit der Beschriftung „TA-12,8SS“ auf der Niederdruckseite installieren.
  - Druckmessumformer mit der Beschriftung „TA-34,5SS“ auf der Hochdruckseite installieren.



- Bei Schraderventilen die Druckmessumformer ohne Kupferdichtring installieren um ein sicheres Öffnen zu gewährleisten (max. Drehmoment 15 Nm).

Verdrahtung des Erweiterungsmoduls siehe Kapitel Prinzipschaltbilder, Seite 63.



Abb. 11: Erweiterungsmodul

## Funktion und Technische Daten des Erweiterungsmoduls

### Digitaleingänge

- Funktion
  - Klemme 1  
Umschaltung von Verdampfungstemperatur-Sollwert 1 auf 2.
  - Klemme 2  
Umschaltung von Verflüssigungstemperatur-Sollwert 1 auf 2.
- Technische Daten
  - Status: Aus: 0 .. 7 V DC, Ein: 8 .. 30 V DC
  - Max. Eingangsspannung: +30 V DC
  - Eingangsimpedanz: 10 kΩ

### Relais

- Funktion
  - Klemme 5 und 6  
Potenzialfreies Relais zum Anlauf des 2. Verdichters.  
Max. Spannung: 250 V AC / 30 V DC  
Der Schutz vor induktiven oder kapazitiven Lasten muss durch externe Maßnahmen erfolgen.

Max. Strom: 6 A (250 V AC) / 5 A (30 V DC) ohmsche Last.

Min. Strom: 20 mA (24 V AC / 24 V DC) ohmsche Last.

## 5.9 Elektromagnetische Verträglichkeit (EMV)

Übersicht siehe Kapitel Analyse der Oberwellen, Seite 59.

Die VARIPACK Frequenzumrichter entsprechend den EU-EMV-Richtlinien 2014/30/EU und 2004/108/EG.

Für die Störfestigkeit von Frequenzumrichtern gilt der Produktstandard EN61800-3. Die Frequenzumrichter erfüllen die Anforderungen für die erste und die zweite Umgebung.

Für die Störaussendung von Frequenzumrichtern gilt der Produktstandard EN61800-3, der zwischen den Kategorien C1 – C4 unterscheidet. Verglichen mit den Fachgrundnormen entspricht dabei die Kategorie C2 gemäß EN61800-3:2004, der EN61000-6-4:2007+A1:2011. Die Kategorie C3 ist nicht übertragbar. Im Folgenden werden nur noch die C-Kategorien beschrieben.

Allgemeine EMV-Anforderungen zur Erfüllung der Kategorie C2:

- Einsatz eines geschirmten Kabels zwischen FU und Motor (Motorkabel), siehe Abbildung 8, Seite 54.
  - Schirm beidseitig auflegen.
  - Schirm im Schaltschrank bis zum VARIPACK führen und fachgerecht mit einer EMV-Kabelverschraubung aufnehmen.
- Das Motorkabel
  - sollte andere Kabel nicht kreuzen. Falls doch, Kreuzungen nur im 90° Winkel vornehmen!
  - möglichst getrennt von der Zuleitung und den Steuerleitungen verlegen. Falls eine parallele Verlegung nicht vermeidbar ist, mindestens 0,25 m Abstand einhalten.



### WARNUNG

Hochfrequente EMV-Störung des Spannungsnetzes möglich.

FMY+6-4 .. FMY+14-4 werden gemäß EN61000-3-2:2014 als professionell genutztes Gerät eingestuft.

Vor dem Anschluss an das öffentliche Niederspannungsversorgungsnetz muss eine Genehmigung des Energieversorgungsunternehmens eingeholt werden.



**Information**

FMY+18-4 .. FPW+72-4 erfüllen alle Anforderungen der Norm EN61000-3-12:2011 (siehe Kapitel Analyse der Oberwellen, Seite 59).

**FMY+6-4 .. FPW+90-4:**

- sind standardmäßig mit einem integrierten EMV-Filter für die Kategorie C2 ausgestattet.

Sind die EMV-Anforderungen der Kategorie C3 ausreichend, kann die Leitungslänge zwischen FU und Motor bis zu 25 m betragen.



**WARNUNG**

Hochfrequente EMV-Störung des Spannungsnetzes möglich.  
In einer Wohnumgebung kann diese Antriebskonstellation hochfrequente Störungen verursachen, die Entstörmaßnahmen erforderlich machen können.

**FQW+110-4 .. FRW-302-4:**

- sind mit einem integrierten EMV-Filter für die Kategorie C3 ausgestattet. Zur Erfüllung der Kategorie 2 ist ein externer EMV-Filter am Eingang des Frequenzumrichters erforderlich:  
FQW+110-4 .. FRW-240-4:  
Teilenummer 34795502,  
Bezeichnung FN 3359-250-28,  
FRW+302-4:  
Teilenummer 34795503,  
Bezeichnung FN 3359-320-99.



**WARNUNG**

Ohne Einsatz eines externen EMV-Filters kann es zu hochfrequenten EMV-Störungen des Spannungsnetzes kommen!  
Diese Antriebskonstellation ist nicht für den Einsatz in einem öffentlichen Niederspannungsnetz vorgesehen, das Wohngebiete speist.

Größe des FU	Schutzart	Maximale Motorkabellänge		
		C1 <sup>①</sup>	C2	C3
M, N, O	IP66	1 m	5 m	25 m
P	IP55	1 m	5 m	25 m
Q, R	IP55	-	5 m <sup>②</sup>	25 m

① Konformität wird nur mit der Kategorie C1 Leitungsgebundene Emissionen erzielt.

② mit externem Filter

### 5.9.1 Analyse der Oberwellen

Frequenz- umrichter	FMY+6-4	FMY+10-4	FMY+14-4	FNY+18-4	FNY+24-4	FNY+30-4	FOY+39-4	FOY+46-4
Nenn- leistung (kW)	2.2	4	5.5	7.5	11	15	18.5	22
Oberwelle Nr.	RMS Strom (A)							
1	4,650	7,590	10,700	13,800	18,900	24,500	28,500	35,400
3	0,031	0,065	0,039	0,088	0,199	0,045	0,305	0,283
5	0,940	1,530	2,200	2,980	3,970	5,150	7,200	8,190
7	0,706	1,110	1,540	1,930	2,580	3,380	3,190	4,070
9	0,028	0,061	0,025	0,043	0,142	0,029	0,121	0,147
11	0,399	0,657	0,969	1,260	1,570	2,180	3,430	3,020
13	0,434	0,667	0,917	1,220	1,690	2,100	0,893	2,560
15	0,016	0,032	0,020	0,037	0,165	0,046	0,134	0,115
17	0,292	0,470	0,738	1,030	1,210	1,840	1,490	2,060
19	0,284	0,410	0,602	0,812	1,040	1,290	1,110	1,710
21	0,050	0,065	0,037	0,067	0,190	0,057	0,093	0,075
23	0,254	0,337	0,643	0,940	0,942	1,450	1,260	1,750
25	0,207	0,325	0,435	0,463	0,793	0,820	0,790	0,918
27	0,040	0,084	0,055	0,065	0,267	0,082	0,108	0,267
29	0,219	0,319	0,543	0,804	0,944	1,210	0,988	1,330
31	0,170	0,288	0,344	0,424	0,646	0,677	0,753	0,471
33	0,036	0,065	0,043	0,102	0,311	0,046	0,139	0,196
35	0,177	0,264	0,472	0,656	0,831	1,010	1,020	0,920
37	0,140	0,210	0,220	0,250	0,498	0,487	0,663	0,379
39	0,042	0,073	0,013	0,058	0,270	0,063	0,277	0,140
40	0,006	0,012	0,017	0,026	0,069	0,089	0,111	0,084
Gesamt RMS Strom (A)	1,46	2,32	3,35	4,46	5,87	7,63	9,14	10,66
THD (I) %	29,73%	29,12%	23,73%	30,31%	29,33%	29,44%	23,14%	22,87%

Abb. 12: Tabelle zur Analyse der Oberwellen FMY+6-4 .. FOY+46-4

FMY+6-4 .. FMY+14-4 werden gemäß EN61000-3-2 als professionell genutztes Gerät eingestuft.

Frequenzumrichter	FPW+61-4	FPW+72-4	FPW+90-4	FQW+110-4	FQW+150-4	FQW+180-4	FRW+202-4	FRW+240-4	FRW+302-4
Nennleistung (kW)	30	37	45	55	75	90	110	132	160
Oberwelle Nr.	RMS Strom (A)								
1	47,469	59,481	75,400	98,809	130,194	153,528	162,745	194,336	241,996
3	0,330	1,073	0,728	5,866	5,576	4,887	3,731	4,944	5,675
5	13,279	12,268	16,700	41,762	49,101	55,584	87,375	98,009	116,705
7	4,252	7,371	9,760	20,184	21,967	24,527	51,666	53,411	58,399
9	0,554	0,528	0,475	0,850	0,592	0,994	3,951	5,314	5,108
11	5,116	5,545	7,570	7,896	10,345	12,758	9,807	9,053	8,397
13	1,705	4,979	5,410	5,604	5,915	5,836	6,448	7,854	11,480
15	0,383	0,157	0,207	0,578	0,728	0,960	0,784	2,094	3,698
17	1,440	3,228	4,800	3,431	4,703	5,439	7,089	6,647	5,416
19	2,088	3,220	3,600	3,525	4,542	5,292	2,384	4,265	6,008
21	0,295	0,186	0,195	0,518	0,552	0,703	0,971	0,695	0,399
23	1,728	2,606	3,450	1,939	2,892	3,447	4,817	6,131	5,353
25	1,356	1,537	2,520	2,675	3,699	4,376	2,087	1,582	4,726
27	0,279	0,115	0,169	0,429	0,516	0,693	0,965	0,830	0,577
29	1,208	1,616	2,900	1,731	2,501	2,957	2,302	4,111	5,250
31	0,979	1,146	1,890	1,886	2,656	3,262	2,031	1,573	1,894
33	0,159	0,350	0,151	0,358	0,447	0,561	0,646	0,942	0,581
35	0,406	1,007	2,460	1,275	1,878	2,264	1,728	2,069	3,723
37	1,158	1,120	1,460	1,427	2,037	2,490	1,612	1,516	0,836
39	0,432	0,178	0,134	0,420	0,555	0,704	0,574	0,591	0,824
40	0,050	0,167	0,089	0,267	0,382	0,473	0,138	0,159	0,104
Gesamt RMS Strom (A)	15,48	17,27	23,15	48,24	56,16	63,52	102,82	113,09	132,17
THD (I) %	30,81%	28,10%	29,31%	45,97%	40,91%	37,58%	52,58%	49,51%	47,44%

Abb. 13: Tabelle zur Analyse der Oberwellen FPW+61-4 .. FRW+302-4

FNW+18-4 .. FRW+302-4 erfüllen alle Anforderungen gemäß Norm EN61000-3-12:2011.

VARIPACK Produkte entsprechen IEC 61000-3-12 ohne die Notwendigkeit von Netzdrosseln, vorausgesetzt, dass die Kurzschlussleistung  $S_{SC}$  größer oder gleich  $S_{SC(min)}$  ist an der Schnittstelle zwischen der Versorgung des Benutzers und dem öffentlichen System. Es liegt in der Verantwortung des Installateurs oder Benutzer der Ausrüstung, um nach Rücksprache mit dem Verteilernetzbetreiber, falls erforderlich, sicherzustellen, dass die Ausrüstung nur an eine Versorgung mit einer Kurzschlussleistung  $S_{SC}$  angeschlossen ist, die größer oder gleich  $S_{SC(min)}$  ist, berechnet als:  $S_{SC(min)} = 320 \times V_{rated} \times I_{rated}$

Dabei ist  $V_{rated}$  die Nennspannung des Frequenzumrichters (Phase zu Phase) und  $I_{rated}$  der Nennstrom des Frequenzumrichters (pro Phase).

### 5.10 Safe Torque Off (Sicher abgeschaltetes Moment) (STO)

Die VARIPACK Frequenzumrichter sind standardmäßig mit einer Abschaltfunktion, dem sicher abgeschalteten Moment (STO) ausgestattet. Durch diese STO-Funktion kann auf den Hauptschutz vor oder nach dem Frequenzumrichter verzichtet werden.

#### Verantwortlichkeiten

Der Systemingenieur trägt die Verantwortung für die Risikobewertung des gesamten Systems, die Definition und Erfüllung der Anforderungen der Sicherheitstechnik, in die der Umrichter integriert wird, sowie die vollständige Verifizierung der Funktion. Vor der Inbetriebnahme des FU muss die STO-Funktion geprüft werden.

Der Systementwickler hat dazu eine umfassende Risiko- und Gefahrenanalyse zur Bestimmung möglicher Gefährdungen, der Risikokategorien sowie möglicher Maßnahmen zu deren Reduzierung durchzuführen. Die Beurteilung der STO-Funktion wird durchgeführt, um ihre Eignung für die jeweilige Risikokategorie zu gewährleisten

### Was die STO-Funktion bietet

Die STO-Funktion verhindert, dass durch den FU in Abwesenheit des STO-Eingangssignals (Anschluss 12 und 13) im Motor ein Drehmoment erzeugt wird. Dies ermöglicht die Integration des Geräts in ein umfassendes Sicherheitsleitsystem unter Erfüllung aller STO-Anforderungen.



#### WARNUNG

Die STO-Funktion verhindert keinen unerwarteten Wiederanlauf des Verdichters. Sobald der STO-Eingang das entsprechende Signal erhält, ist ein automatischer Wiederanlauf möglich. Folglich darf diese Funktion nicht zur Durchführung kurzfristiger, nicht elektrischer Arbeiten (wie z. B. Reinigungs- oder Wartungsarbeiten) verwendet werden.

Die STO-Funktion macht üblicherweise elektromechanische Schalter mit Hilfskontakten zur Gegenprüfung überflüssig, die normalerweise für solche Sicherheitsfunktionen notwendig sind.

Dieser FU ist standardmäßig mit der STO-Funktion versehen und erfüllt so die „Safe torque off“-Vorgabe gemäß IEC 61800-5-2:2016.

Die STO-Funktion entspricht außerdem einem unkontrollierten Stopp gemäß Kategorie 0 (Not-Aus) der Norm IEC 60204-1. Dies bedeutet, dass der Motor bei Aktivierung der STO-Funktion einen Leerlaufstopp durchführt. Diese Methode sollte auf ihre Eignung für das jeweilige System, das der Motor antreibt, geprüft werden.

Die STO-Funktion wird als „Failsafe“-Methode selbst dann angesehen, wenn kein STO-Signal anliegt und ein einzelner Fehler im FU aufgetreten ist. Die Eignung des FU hierfür wurde durch die Einhaltung der folgenden Sicherheitsnormen bestätigt:

EN 61800-5-2	
SIL (Safety Integrity Level = Sicherheitsintegritätslevel)	2
PFHD (Probability of dangerous Failures per Hour = Wahrscheinlichkeit eines gefährlichen Ausfalls pro Stunde)	1,23E-09 1/h (0,12% von SIL 2)
SFF (Safe failure fraction % = Sichere und ungefährliche Ausfälle %)	50
Erwartete Lebensdauer	20 Jahre

EN ISO 13849-1	
PL (Performance Level = Leistungsniveau)	PL d
CCF (%) (Common Cause Failure = Ausfall aufgrund gemeinsamer Ursache)	1
MTTFd	4525a
Kategorie	3

EN 62061	
SILCL	SILCL 2

Die oben genannten Werte können eventuell nicht realisiert werden, wenn die für den FU vorgeschriebenen Umgebungsbedingungen nicht eingehalten wurden.



#### WARNUNG

Vor Beginn jeglicher Arbeiten den FU spannungsfrei schalten. Die STO-Funktion schützt nicht vor Spannungen an den Stromanschlüssen des FU.

Bei Verwendung von Permanentmagnetmotoren und im unwahrscheinlichen Fall eines gleichzeitigen Defekts mehrerer Ausgangsleistungsbau-teile kann es sein, dass die Motorwelle effektiv um 180/p Grad rotiert (wobei p für die Anzahl der Motorpolpaare steht).

### STO-Betrieb

Wenn der STO-Eingang bestromt ist, befindet sich die STO-Funktion im Ruhezustand. Erhält der FU dann einen Anlaufbefehl, erfolgen Verdichteranlauf und Betrieb normal.

Wenn der STO-Eingang nicht bestromt ist, wird die STO-Funktion aktiviert und stoppt den FU (Motor im Leerlauf). Der FU befindet sich dann im Modus „Safe Torque Off“.

## STO-Status und Überwachung

### FU-Anzeige:

Wenn der STO-Eingang im normalem FU-Betrieb (AC-Netzstrom liegt an, Verdichter läuft nicht) stromlos ist (STO-Funktion aktiviert), wird auf der FU-Anzeige die Meldung „INHIBIT“ angezeigt. Wurde eine Fehlerabschaltung des FU ausgelöst, wird anstelle von „INHIBIT“ eine entsprechende Meldung angezeigt. Wenn der STO-Eingang bestromt ist und auf dem Display weiterhin "INHIBIT" angezeigt wird, liegt ein Defekt des STO-Eingangs vor.

### FU-Ausgangsrelais:

Wenn der STO-Eingang stromlos ist, öffnet das FU-Relais 1.

### Fehlercode:

Fehlercode	Code Nummer	Beschreibung
STO-F	29	<ul style="list-style-type: none"> <li>• Interner Fehler des Sicherheitseingangskreises.</li> <li>• Sicherheitskreis kurzzeitig geöffnet während der Antrieb läuft.</li> </ul>

### Ansprechzeit der STO-Funktion

Dies ist der Zeitraum vom Auftreten eines sicherheitsrelevanten Ereignisses bis zur Wiederherstellung des sicheren Zustands nach der Reaktion aller Komponenten. (Stopp-Kategorie 0 gemäß IEC 60204-1).

- Die Ansprechzeit vom stromlosen Zustand des STO-Eingangs bis zu einem Zustand des FU, bei dem kein Drehmoment im Motor generiert wird (STO aktiviert), beträgt weniger als 1 ms.
- Die Ansprechzeit vom stromlosen Zustand des STO-Eingangs bis zur Änderung des Überwachungsstatus beträgt weniger als 20 ms.
- Die Ansprechzeit von der Erkennung eines Fehlers im STO-Schaltkreis durch den FU bis zu seiner Anzeige über das Display/den Relaisausgang beträgt weniger als 20 ms.

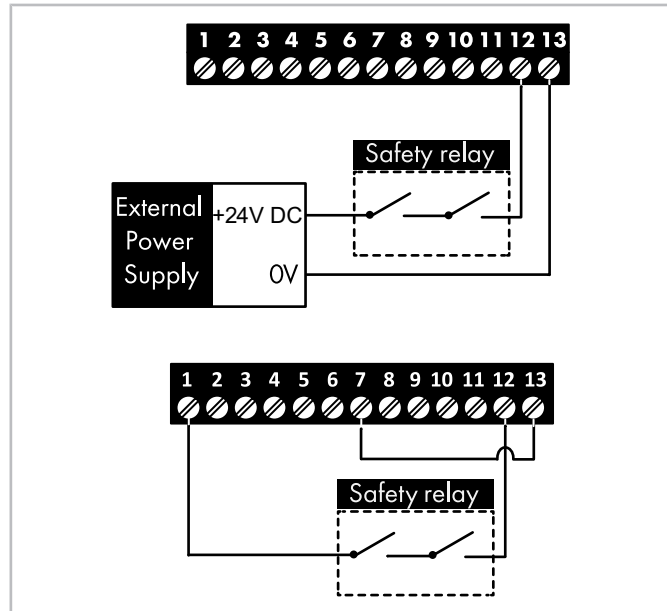
### Elektrischer STO-Anschluss



#### WARNUNG

Die STO-Leitungen müssen vor unbeabsichtigten Kurzschlüssen oder Manipulationen, die zu einem Fehler des STO-Eingangssignals führen können, geschützt werden

Neben den unten stehenden Verbindungsanweisungen für den STO-Schaltkreis sollte auch die EMV-gerechte Installation beachtet werden. Der FU muss wie nachfolgend gezeigt angeschlossen werden. Die am STO-Eingang anliegende 24 V DC Signalspannung kann über die 24 V DC Versorgung des FU oder eine externe 24 V DC Stromversorgung bereitgestellt werden.



#### Information

Die maximale Kabellänge zwischen Spannungsquelle und Umrichteranschlüssen darf 25 Meter nicht übersteigen.

### Spezifikationen für eine externe Stromversorgung

Nennspannung	24 V DC
STO-Logik Hoch	18 ... 30 V DC (STO im Standby)
Stromverbrauch (Maximum)	100 mA

### Spezifikationen für das Sicherheitsrelais

Der Systementwickler ist dafür verantwortlich sicherzustellen, dass das gesamte System einer Risikobewertung unterzogen wird und dass die Anforderungen an die Sicherheitsleittechnik vollständig eingehalten wurden.

Ist ein Sicherheitsrelais erforderlich, so muss dieses so ausgewählt werden, dass es mindestens die Sicherheitsstandards des Umrichters erfüllt.

Standardanforderungen	SIL2 oder PLd SC3 oder höher (mit zwangsgeführten Kontakten)
Anzahl der Ausgangskontakte	2, unabhängig
Schaltspannungswert	30 V DC
Schaltstrom	100 mA

### Testen der STO-Funktion

Die STO-Funktion muss vor einer Inbetriebnahme des Systems stets auf korrekte Funktion geprüft werden:

- Bei stillstehendem Motor und einem an den FU gesendeten Stoppbefehl:
  - STO-Eingang stromlos schalten (die FU-Anzeige zeigt „INHIBIT“ an).
  - Den Startbefehl geben und prüfen, ob der FU „INHIBIT“ anzeigt.
- Mit dem Verdichter im Normalbetrieb (über den FU):
  - STO-Eingang stromlos schalten (der Verdichter stoppt und die FU-Anzeige zeigt „STO-F“ an).

Die STO-Funktion muss Teil der routinemäßigen Wartung des Steuersystems sein und regelmäßig (mindestens einmal pro Jahr) sowie nach allen Änderungen am Sicherheitssystem oder Wartungsarbeiten geprüft werden.

### 5.11 Prinzipschaltbilder

VARIPACK Frequenzumrichter entsprechend Prinzipschaltbildern anschließen. Steuerschalter S1 bis S4 im Schaltschrank montieren.

Individueller Anschluss des Verdichtermotors je nach gewählter Motorvariante und -auslegung. Details zum Motoranschluss siehe Angaben auf der Innenseite des Verdichteranschlusskastens.

#### Hubkolbenverdichter:

Die Prinzipschaltbilder beinhalten eine optionale Ölüberwachung. Ohne eine solche Überwachung entfällt das Delta-PII bzw. OLC-K1 und die Bauteile S04 und P04. Das Hilfsrelais K19 und die Druckschalter B10 und B11 sollten in diesem Fall in Pfad 7 am Anschluss 14 des B01 (SE-B\*) eingebaut werden.

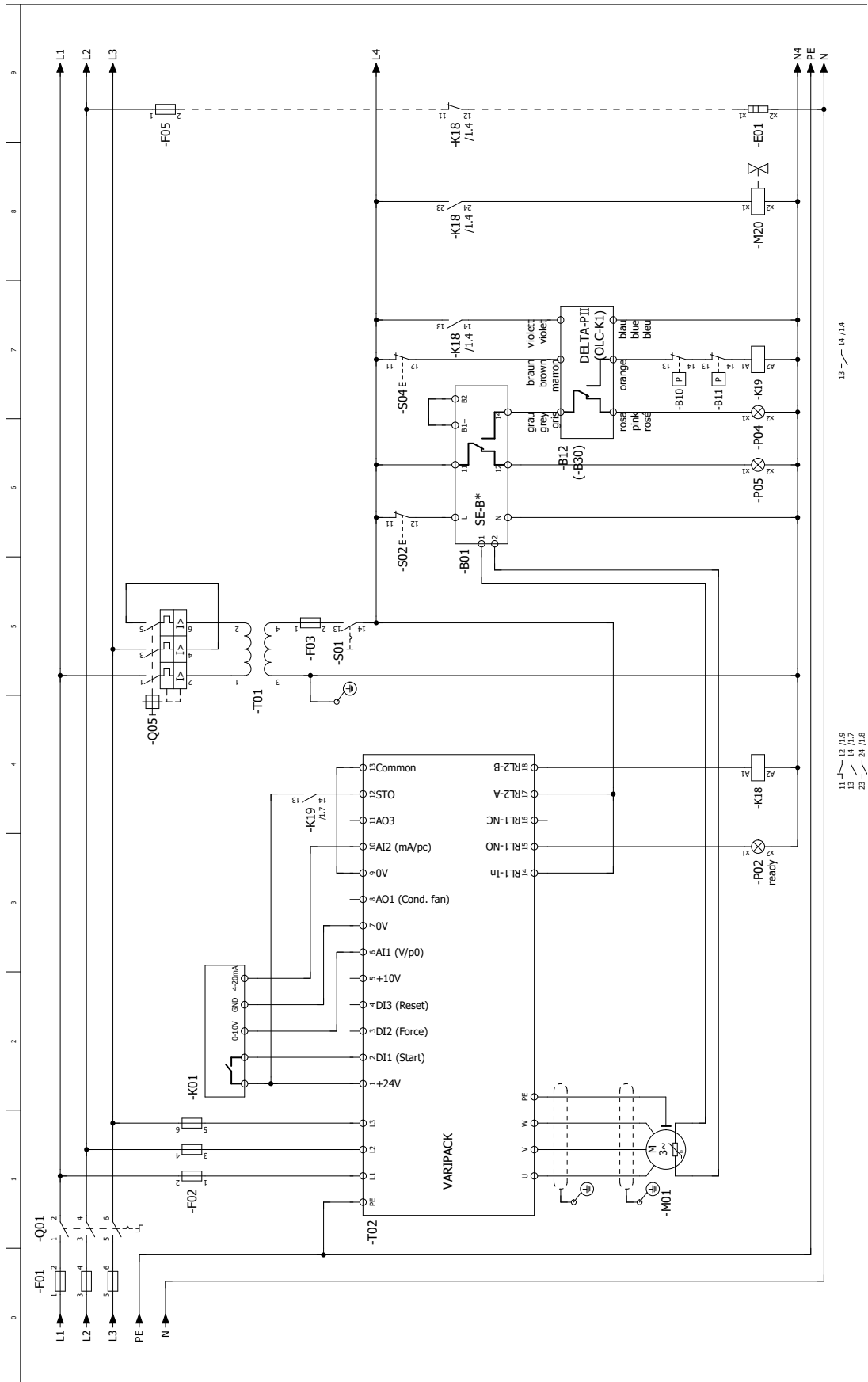


Abb. 14: Prinzipschaltbild Hubkolbenverdichter ohne Erweiterungsmodul



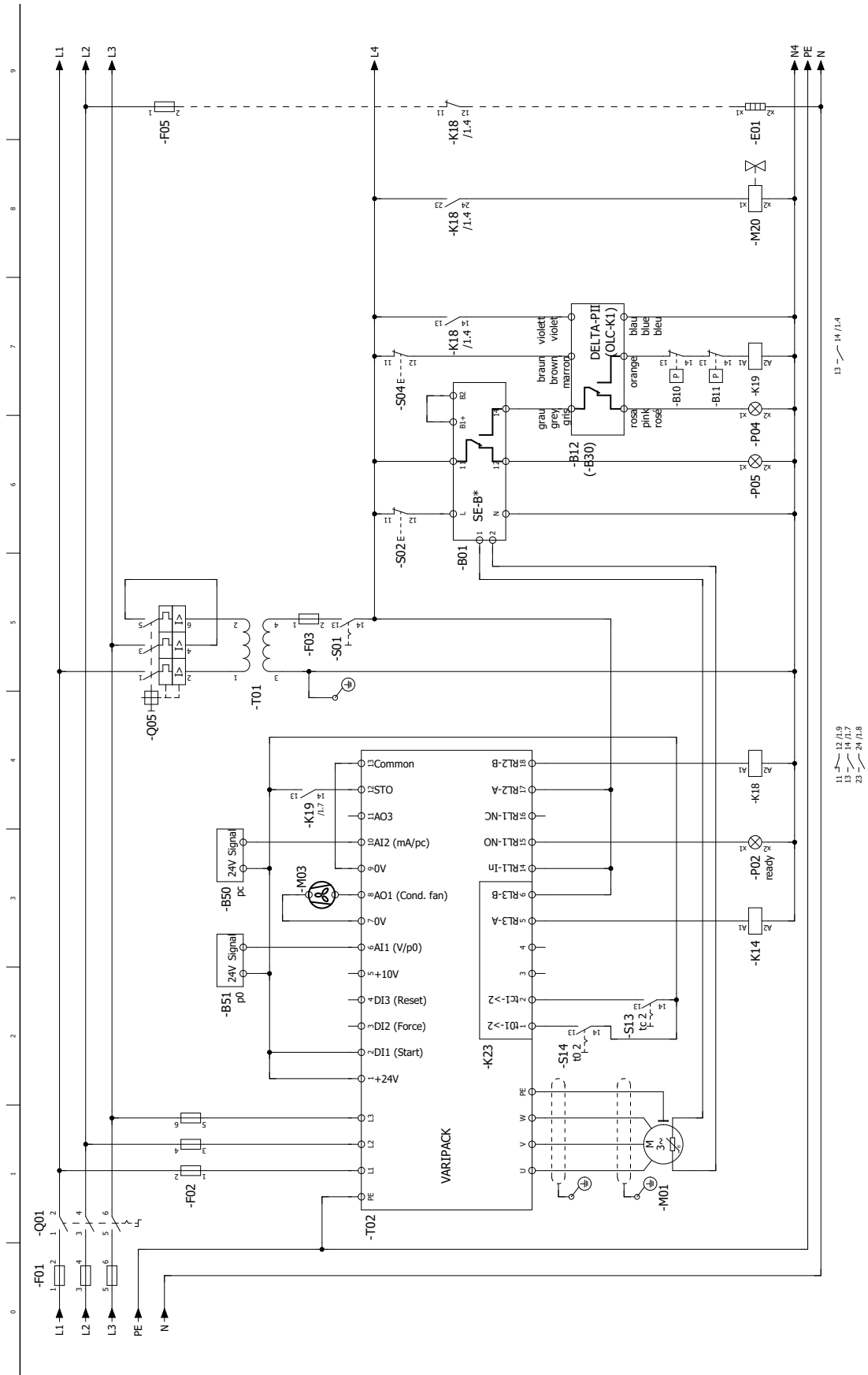


Abb. 15: Prinzipschaltbild Hubkolbenverdichter mit Erweiterungsmodule (K23)

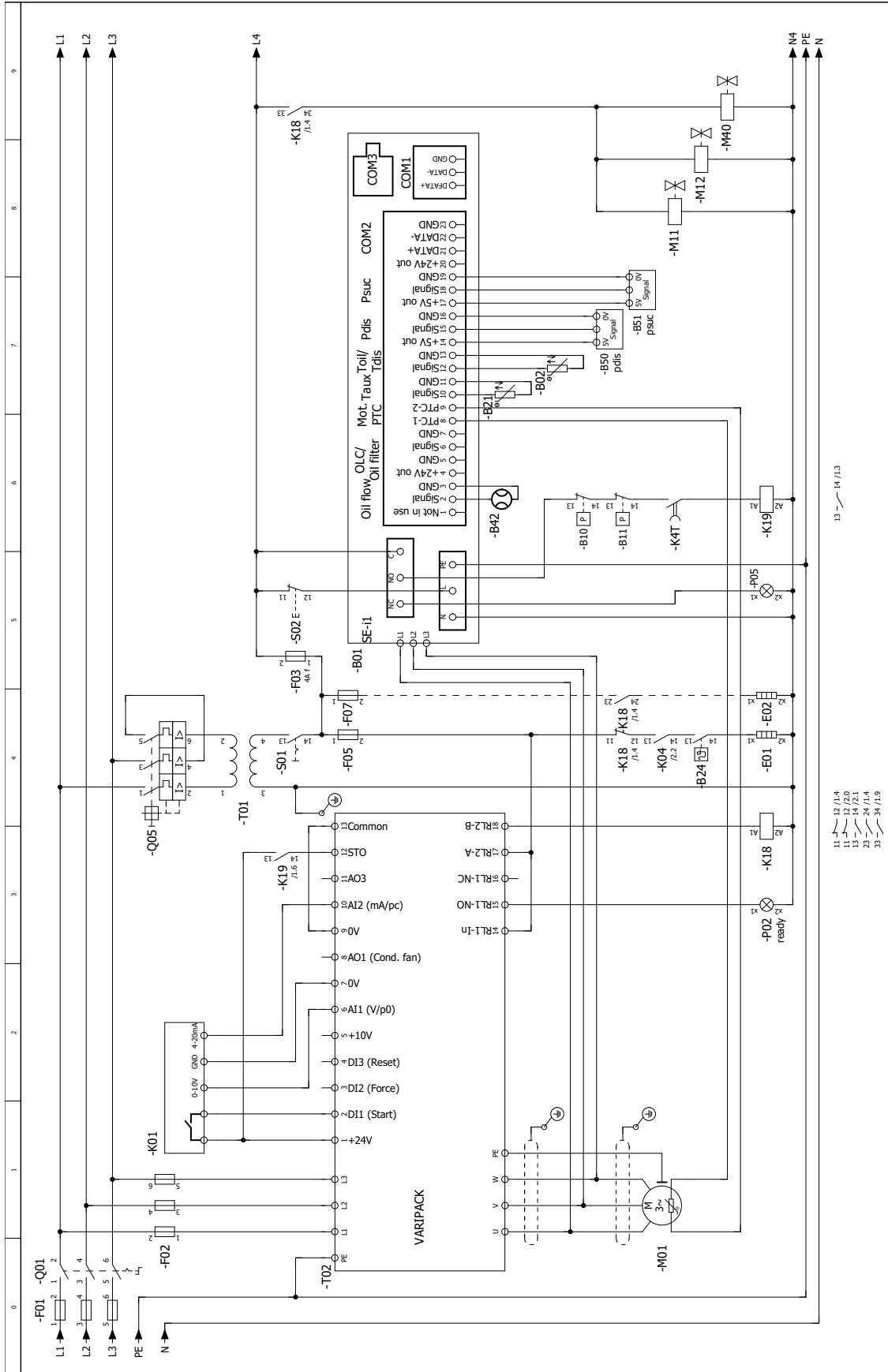


Abb. 16: HS.53 .. HS.74-Schraubenverdichter ohne Erweiterungsmodul

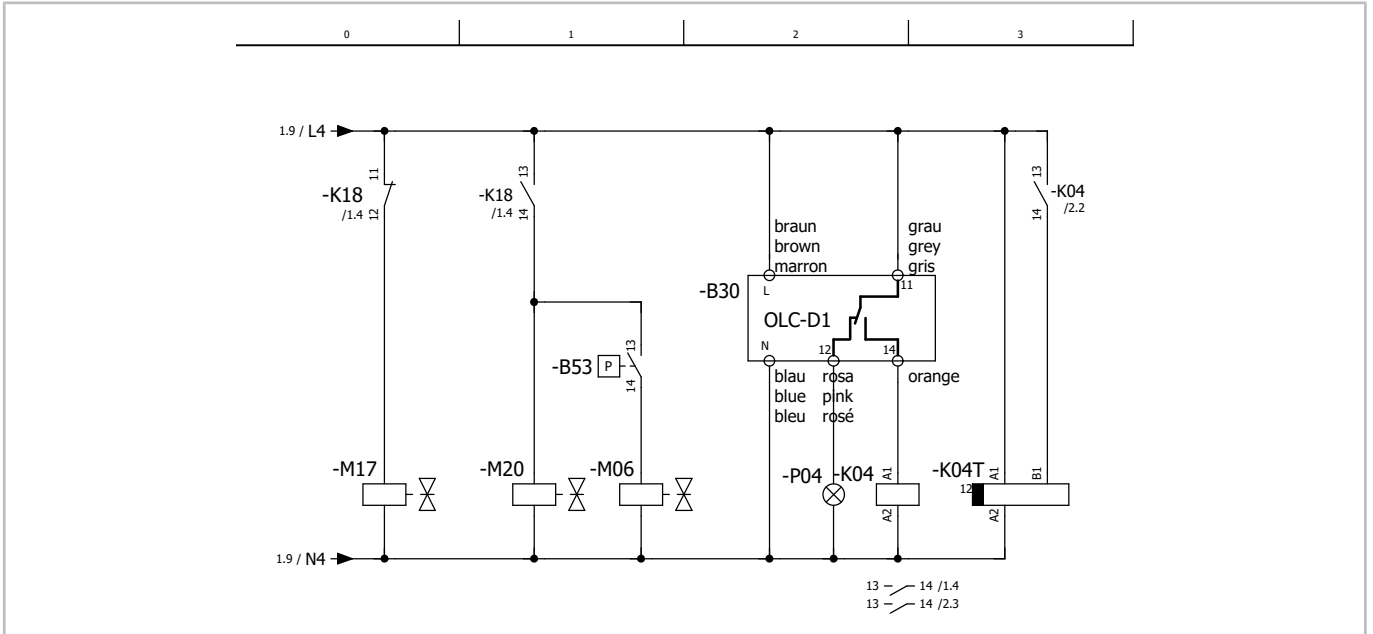


Abb. 17: Ölüberwachung HS.53 .. HS.74-Schraubenverdichter

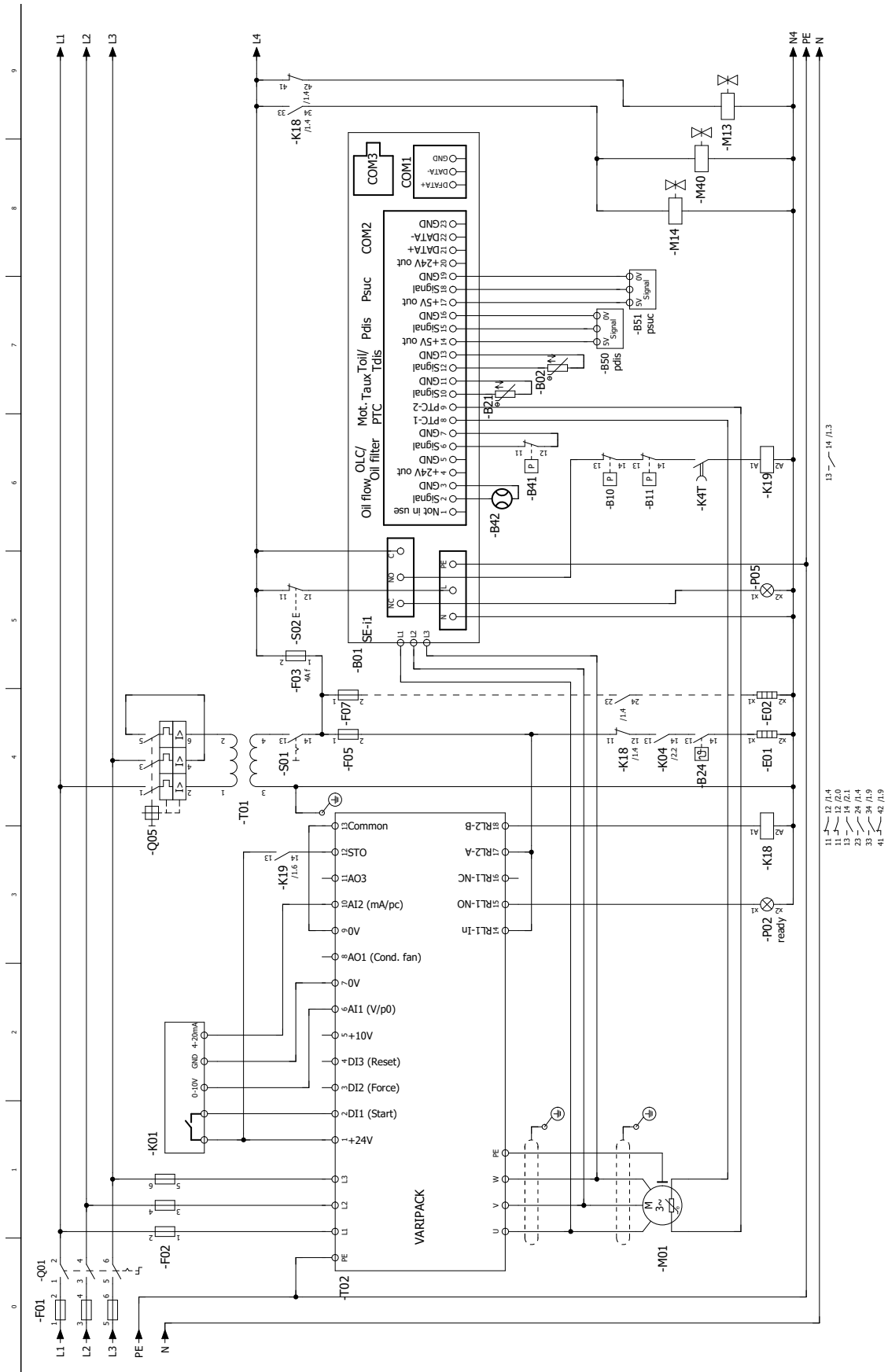


Abb. 18: HS.85-Schraubenverdichter ohne Erweiterungsmodul

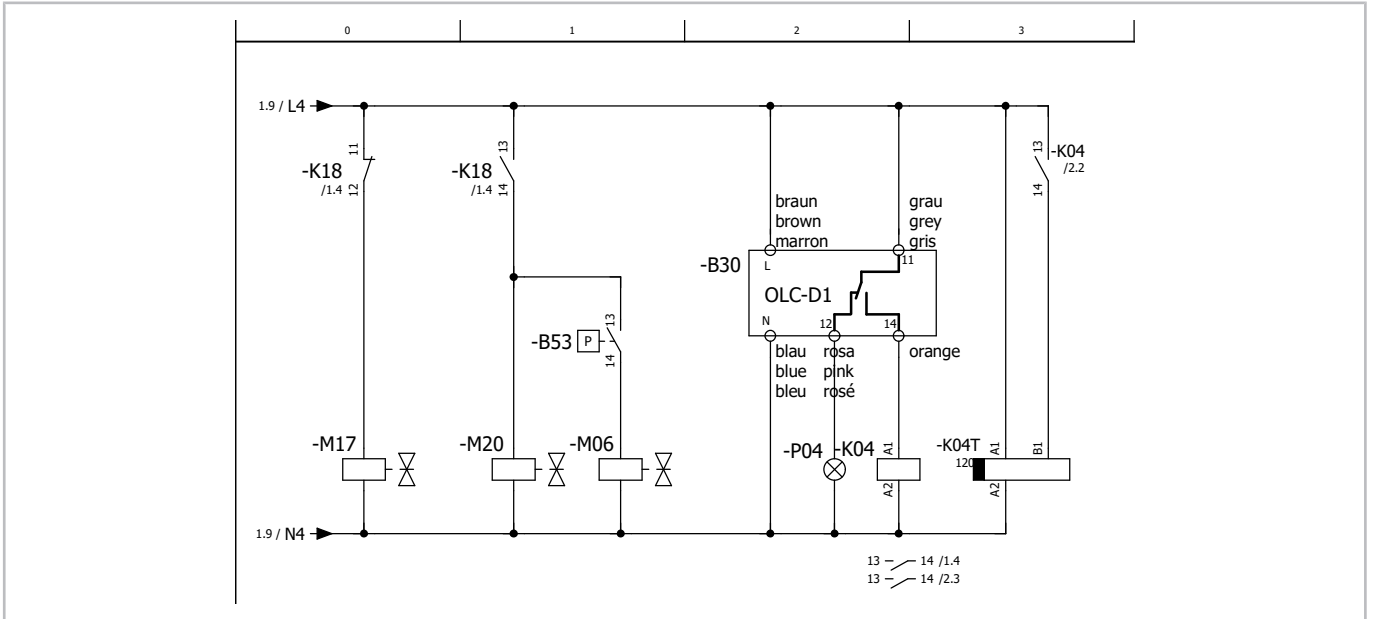


Abb. 19: Ölüberwachung HS.85-Schraubenverdichter

Abk.	Bauteil
B01	Verdichterschutzgerät
B02	Druckgas-/Öltemperaturfühler
B10	Hochdruckschalter
B11	Niederdruckschalter
B12	Öldifferenzdruckschalter
B21	Optionaler Temperaturfühler
B24	Ölthermostat
B30	Ölniveauwächter
B41	Ölfilterüberwachung
B42	Öldurchflusswächter
B50	Hochdruckmessumformer
B51	Niederdruckmessumformer
B53	ECO-Zuschaltung
E01	Ölheizung
E02	Anschlusskastenheizung
F01	Hauptsicherung
F02	Verdichtersicherung
F03	Steuerkreissicherung
F05	Sicherung der Ölheizung
F07	Sicherung der Anschlusskastenheizung
K01	Übergeordneter Regler
K04	Hilfsrelais für Ölüberwachung
K04T	Zeitrelais für Ölniveauwächter
K14	Hilfsrelais
K18	Hilfsrelais: FU gibt Leistungsspannung/ Drehfeld für Motor aus
K19	Hilfsrelais: Sicherheitskette ist freigeschal- tet
K23	Erweiterungsmodul
M01	Verdichtermotor
M03	Ventilator 1
M06	MV für Economiser (ECO)
M11	MV für Leistungsregler 1, CR1, CR+, CRII-2 oder Anlaufentlastung
M12	MV für Leistungsregler 2, CR2, CR- oder CRII-1
M13	MV für Leistungsregler 3, CR3 oder CRII-3
M14	MV für Leistungsregler CR4
M17	MV für Stillstandsbypass
M20	MV für Flüssigkeitsleitung
M40	MV in der Öleinspritzleitung
P02	Leuchte: Verdichter ist betriebsbereit
P04	Leuchte: Störung der Ölversorgung
P05	Leuchte: Verdichterstörung

Abk.	Bauteil
Q01	Hauptschalter
Q05	Steuertransformatorsicherung
S01	Steuerschalter (ein/aus)
S02	Entriegelung der Verdichtersicherheitskette
S04	Entriegelung der Ölüberwachung
S13	Verflüssigungstemperatur: Umschaltung auf 2. Sollwert
S14	Verdampfungstemperatur: Umschaltung auf 2. Sollwert
T01	Steuertransformator (Beispiel für 230 V, er- forderlich gemäß EN60204-1)
T02	Frequenzumrichter (FU)

## 6 Steuer- und Regelfunktionen

Grafische Erklärungen der im Folgenden beschriebenen Steuer- und Regelfunktionen siehe Abbildung 20, Seite 72.

### Verdichteranlauf und STO

Damit der Verdichter anlaufen kann, muss er freigegeben sein (STO-Eingang geschlossen), der Anlauf-Befehl erteilt (DI1 geschlossen) sowie die "Start zu Start Verzögerung" (Zähler P0-17) und die "Stopp zu Start Verzögerung" (Zähler P0-18) (5 s) des Verdichters abgelaufen sein.

Bei Regelung mittels externem Sollwert-Signal und Steuercharakteristik "0 .. Max" muss zudem ein Sollwert > 1% anliegen.

Bei entfernen des Anlaufbefehls (DI1), fährt der Verdichter über die Rampen herunter.

Bei entfernen der Freigabe (STO) wird er dagegen direkt abgeschaltet.

### "Rampen"

Zur Optimierung des Betriebsverhaltens sind die Drehzahlrampen des Verdichters einstellbar (Rampe hoch P1-03 und Rampe runter P1-04). Bei trägen Anlagen wie Kaltwassersätzen oder Kälteanlagen mit einem Verdampfer, empfiehlt es sich, entsprechend lange Rampenzeiten zu wählen, während bei Verbundanlagen durchaus kurze Rampen erforderlich sein können. Abgesehen von der Begrenzung des externen Sollwerts, definieren diese Rampen die Frequenzänderung für die Funktion "Force".

Zum Anlaufen und Abschalten des Verdichters, also unterhalb der minimalen Frequenz, sind die optimalen Rampen fest im VARIPACK Frequenzumrichter hinterlegt und garantieren einen sicheren und zuverlässigen Anlauf des Verdichters.

### "Start zu Start Verzögerung" (P2-21) (Abstand zwischen zwei Verdichteranläufen)

Der Verdichteranlauf durch einen VARIPACK Frequenzumrichter führt zu einer geringeren mechanischen Belastung des Verdichtertriebwerks sowie einer geringeren Erwärmung des Motors als dies bei einem Direktanlauf der Fall ist. Es können so mehr Verdichteranläufe pro Stunde zugelassen werden. Eine übermäßig hohe Anzahl an Verdichteranläufen sollte dennoch vermieden werden.

Die "Start zu Start Verzögerung" limitiert die maximale Anzahl an Verdichteranläufen. Ist die definierte Zeit seit dem letzten Anlauf des Verdichters noch nicht abgelaufen, wird der Anlauf des Verdichters verzögert. Läuft der Verdichter länger als die "Start zu Start Verzögerung", kann er nach dem Abschalten direkt wieder anlaufen. Als Standard ist die für den Verdichter minimal empfohlene "Start zu Start Verzögerung" eingestellt.

Diese kann beliebig vergrößert werden um das Betriebsverhalten der Anlage zu verbessern und die Systemeffizienz durch Vermeidung von sehr kurzen Laufzyklen zu erhöhen. Falls erforderlich, können auch kürzere Werte als voreingestellt und empfohlen konfiguriert werden.

### Relais „Verdichter in Betrieb“ (RL2)

Das Relais "Verdichter in Betrieb" zeigt den Betriebszustand des Verdichters an. Es kann beispielsweise zum Abschalten der Ölheizung oder zum Einschalten des Zusatzventilators verwendet werden oder auch als Signal für das elektronische Expansionsventil. Das Relais schaltet nach einem erfolgreichen Verdichteranlauf und nach Erreichen der minimalen Frequenz, ein und bei Unterschreiten der minimalen Frequenz, aus.

### "Haltezeit bei Haltefrequenz nach dem Anlauf" (P2-04 und P2-26)

Bei Anlagen mit einem Verdichter und einer temperaturgeführten Regelung kann es nach dem Verdichteranlauf zu starken Einbrüchen im Niederdruck kommen. Grund dafür ist, dass der Verdichter wegen der hohen Sollwertabweichung schnell hochgefahren wird, das Expansionsventil dies jedoch nicht schnell genug ausregeln kann. Um dies zu vermeiden lässt sich ein Zeitintervall (P2-26) einstellen, das den Verdichter nach dem Anlaufen auf einer konfigurierbaren Frequenz (P2-04) hält bevor er in den normalen Regelbetrieb übergeht. Standardmäßig sind 0 s eingestellt.

### Betrieb mit Force-Frequenz (P2-03)

Bei langen Rohrleitungen und Steigleitungen oder einer nicht optimalen Auslegung der Sauggasleitung kann es während langer Teillastphasen zu einer Ölverlagerung kommen. Wird jedoch die Frequenz und damit auch der Massenstrom erhöht, kann das Öl rückverlagert und auf diese Weise ein Abschalten des Verdichters verhindert werden. Dies kann durch die Funktion "Force" des VARIPACK Frequenzumrichters realisiert werden. Wird ein Ölmanometer im Ölreservoir oder Verdichter gemeldet, kann der Digitaleingang DI2 des VARIPACK Frequenzumrichters aktiviert werden um den Verdichter mit der konfigurierten Force-Frequenz zu betreiben. Standardmäßig sind 50 Hz eingestellt.

### "Resonanzen vermeiden" (P2-05 .. P2-08)

Treten bei bestimmten Betriebsfrequenzen Schwingungen im System auf, die sich nicht ohne viel Aufwand beseitigen lassen, können diese Frequenzen ausgeblendet werden. Dazu lassen sich zwei Frequenzbereiche einstellen.

che definieren in denen der Verdichter nicht verharren kann. Überschreitet der Sollwert den definierten Anfangswert, verharrt die Frequenz auf diesem bis der Sollwert den Endwert überschritten hat und der Frequenzbereich übersprungen wird. Wenn der Sollwert den definierten Endwert unterschreitet, wird die Frequenz entsprechend gehalten bis der Sollwert den Anfangswert unterschritten hat.

### Die maximale Frequenz automatisch limitieren

Bei Betrieb in der Feldschwächung limitiert der Frequenzumrichter selbstständig die Betriebsfrequenz bei Erreichen des maximalen Betriebsstroms des Verdichters oder des Frequenzumrichters. Dies ermöglicht eine kostengünstige Auslegung der Verdichter-VARIPACK-Kombination ohne Gefahr zu laufen, dass der Frequenzumrichter bei nicht alltäglichen Betriebsbedingungen (hohe Verflüssigungstemperatur, Inbetriebnahme oder Anlauf nach langem Stillstand) wegen Überstrom auf Störung schaltet.

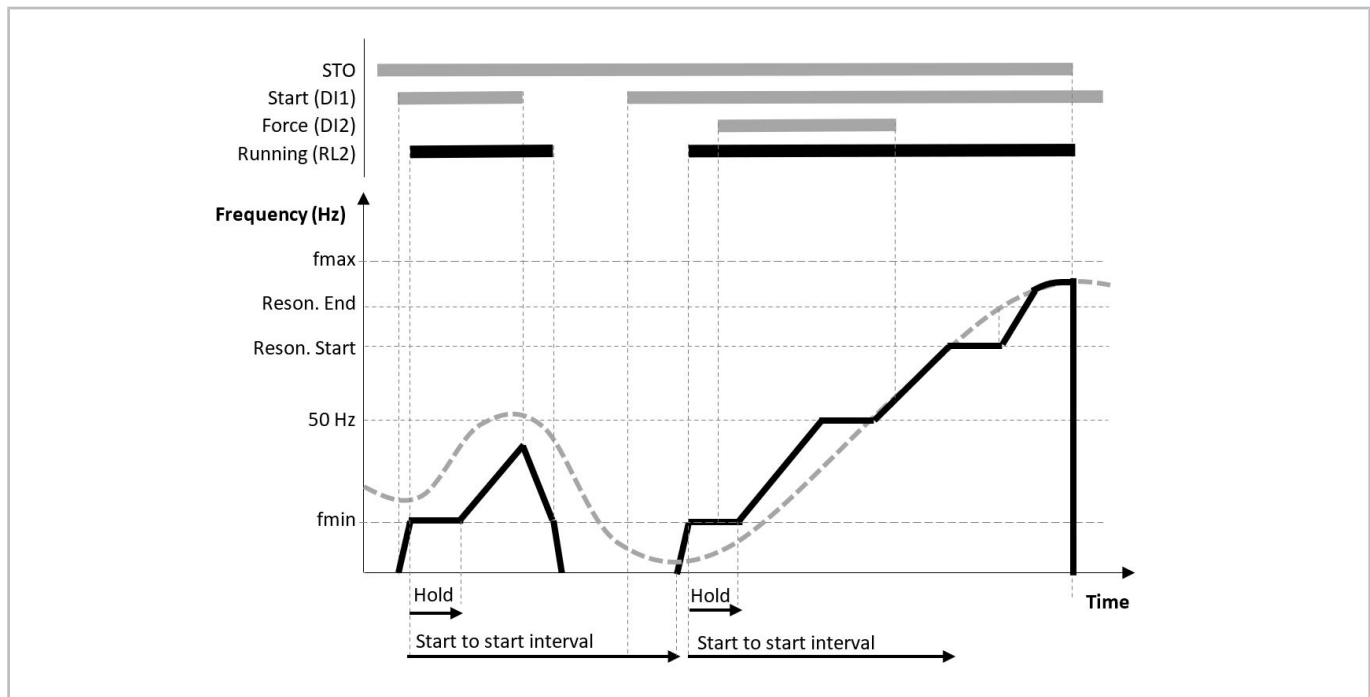


Abb. 20: Grafische Darstellung der allgemeinen Steuerfunktionen

## 6.1 Erweiterungsmodul zur Druckregelung

Grafische Erklärungen der im Folgenden beschriebenen Steuer- und Regelfunktionen des Erweiterungsmoduls zur Druckregelung siehe Abbildung 21, Seite 73.

### Basisfunktion und Mindesteinstellungen

Ist das Erweiterungsmodul zur Druckregelung mit dem VARIPACK Frequenzumrichter verbunden, kann per BEST SOFTWARE oder über Display Parameter P1-12 der Betriebsmodus "Druckregelung" ausgewählt werden. Durch diese Konfiguration werden die relevanten Parameter für die Druckregelung freigeschaltet.

Neben den Grundeinstellungen müssen für die direkte Regelung zusätzlich mindestens folgende Parameter eingestellt werden:

- Kältemittel
- Verdampfungstemperatur

- Verdampfungstemperaturbegrenzer (Pump Down)
- Verflüssigungstemperatur

Die Steuerung des Verdichters basiert auf der sogenannten Pump-down-Logik. Der Digitaleingang zum Anlauf des Verdichters (DI1) muss dazu dauerhaft geschlossen werden oder es kann zur Freigabe ein Steuerschalter eingesetzt werden. Der Verdichter wird eingeschaltet wenn die Verdampfungstemperatur den Sollwert überschreitet und gestoppt wenn die Verdampfungstemperatur die eingestellte Pump-Down Abschalttemperatur unterschreitet.

Im Betrieb regelt der Frequenzumrichter die eingestellte Verdampfungstemperatur durch Regelung der Verdichterfrequenz und An/Aus-Schalten des unregulierten Verdichters (Relais auf dem Erweiterungsmodul, Klemme 5+6). Je nach Bedarf kann die Geschwindigkeit der Regelung über die Einstellung des P-Bandes (P3-06) und I-Bandes (P3-07) angepasst werden.



Mithilfe des Analogausgangs AO1 (Anschluss eines drehzahlveränderbaren Verflüssigungerventilators) kann über das 0 .. 10 V Signal die eingestellte Verflüssigungstemperatur geregelt werden. Um einen möglichst effizienten Betrieb zu gewährleisten, wird empfohlen, die Soll-Verflüssigungstemperatur gemäß der minimal zulässigen Verflüssigungstemperatur der Verdichter einzustellen, sofern dies die Anlage zulässt. Überschreitet die Verflüssigungstemperatur den Sollwert wird die Drehzahl der Ventilatoren entsprechend erhöht. Durch Einstellen des P-Bandes (P3-13) und I-Bandes (P3-14) auf die Trägheit der Anlage kann die Qualität der Regelung optimiert werden. Zudem lässt sich, falls erforderlich, eine minimale Ventilatordrehzahl einstellen.

### "Verdampfungstemperatur-Sollwert 2" (P3-03)

Durch Schalten des Eingangs DI4 (Erweiterungsmodul Klemme 1) wird der Verdampfungstemperatur-Sollwert 2 aktiviert.

### "Verflüssigungstemperatur-Sollwert 2" (P3-09)

Durch Schalten des Eingangs DI5 (Erweiterungsmodul Klemme 2) wird der Verflüssigungstemperatur-Sollwert 2 aktiviert. Dieser kann beispielsweise als Sollwert für die Wärmerückgewinnung verwendet werden.

### "Verflüssigungstemperatur-Begrenzer" (P3-11)

Der Verflüssigungstemperatur-Begrenzer reduziert die Frequenz des Verdichters bei Überschreiten der einge-

stellten Verflüssigungstemperatur. In vielen Fällen lässt sich damit eine Hochdruckabschaltung vermeiden, da durch Absenken der Frequenz die Last am Verflüssiger reduziert wird.

### "Elektronischer Niederdruckschalter" (P3-05)

Die Niederdruckschalter-Funktion schaltet den Verdichter bei Unterschreiten des eingestellten Druckwerts ab. Anders als bei der Pump-Down Abschaltung wird der Verdichter bei Erreichen dieses Grenzwerts sofort abgeschaltet und nicht über die Rampe herunter gefahren. Zudem wird eine Störung im Störspeicher des Frequenzumrichters gespeichert. Der Wiederanlauf des Verdichters erfolgt bei Überschreiten des Verdampfungstemperatur-Sollwerts.

### "Elektronischer Hochdruckschalter" (P3-12)

Die Hochdruckschalter-Funktion schaltet den Verdichter bei Überschreiten des eingestellten Druckwerts ab. Die Standardeinstellung sowie der maximal einstellbare Wert entspricht dem maximalen Betriebsdruck des Verdichters. Das Entriegeln des Hochdruckschalter erfolgt bei unterschreiten der eingestellten Temperatur des Verflüssigungstemperatur-Begrenzers.

**i Information**  
Die elektronische Hochdruckschalter-Funktion ersetzt nicht den nach EN378 vorgeschriebenen baumustergeprüften Hochdruckschalter!

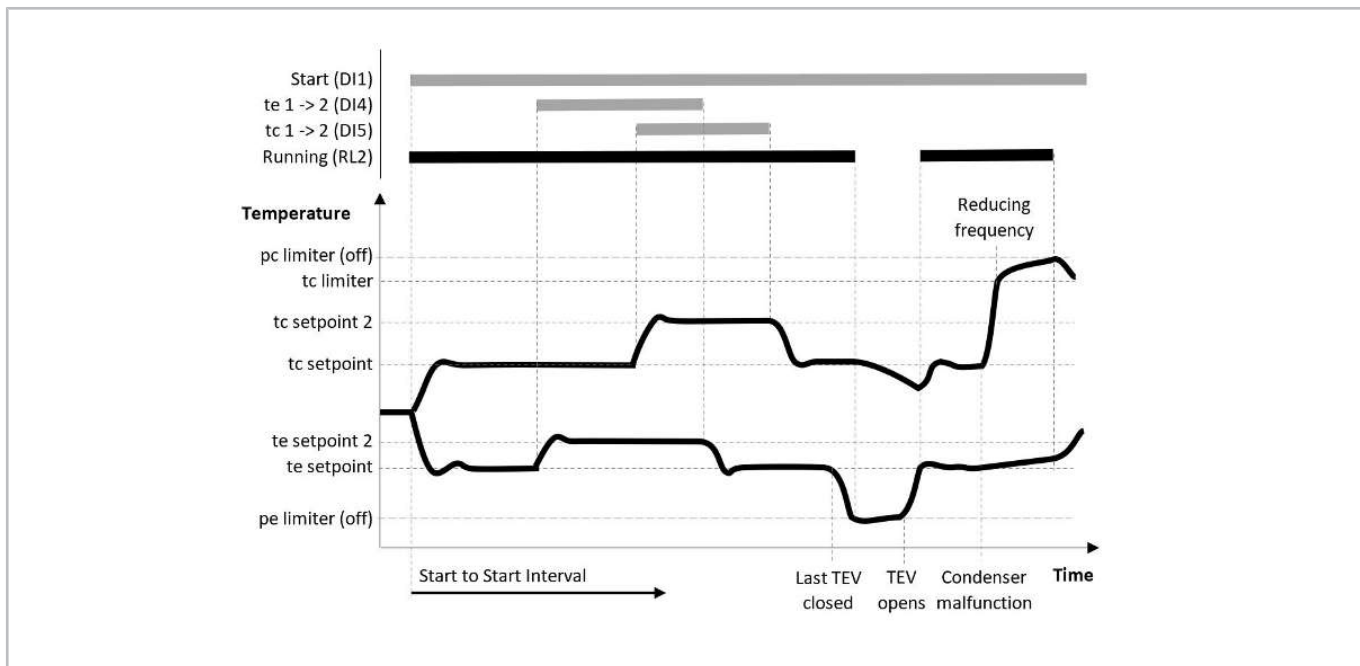
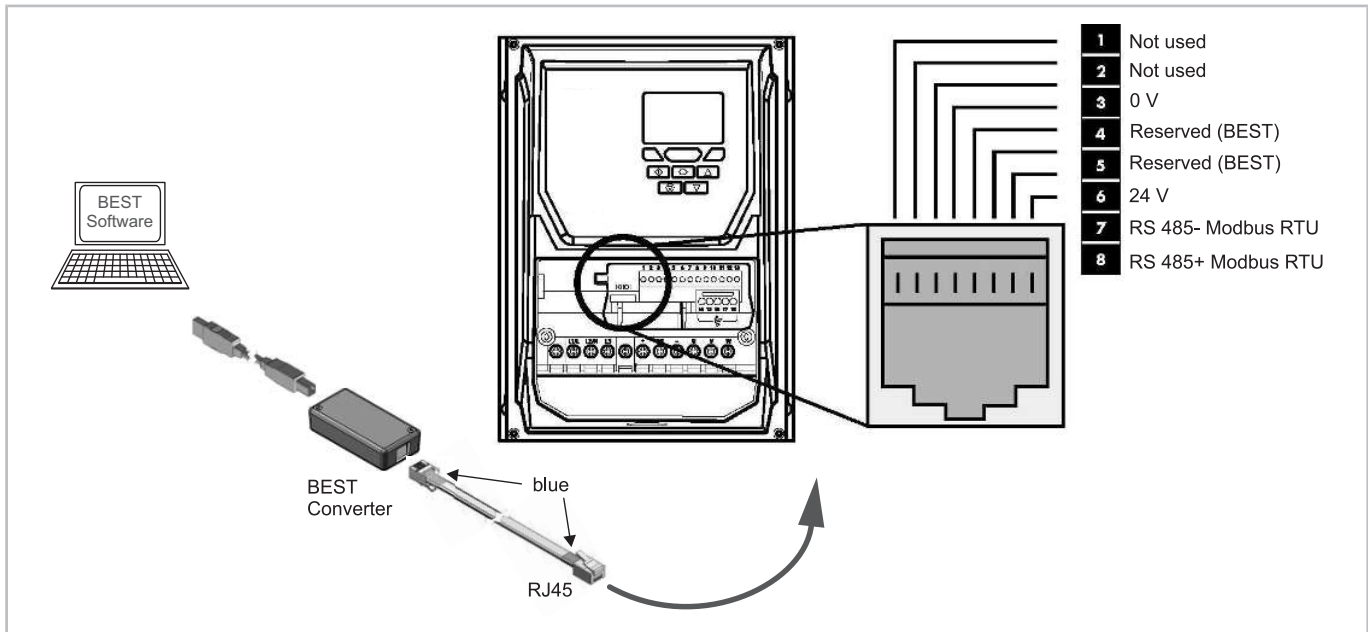


Abb. 21: Grafische Darstellung der allgemeinen Steuerfunktionen des Erweiterungsmoduls

## 7 Inbetriebnahme

### Kommunikation über BEST SOFTWARE

Den FU über den BEST Schnittstellenkonverter und das blau gekennzeichnete RJ45-Adapterkabel an einen PC anschließen.



#### HINWEIS

Hierbei handelt es sich nicht um eine Ethernet-Verbindung. Nicht direkt an eine Ethernet-Schnittstelle anschließen.



#### Information

Bei Verwendung des Modbus-RTU darauf achten, dass das Signal 0V (Pin 3) auch verwendet wird, um Kommunikationsfehler und potenziell schädigende Gleichtaktspannungen zu vermeiden.

Siehe BEST - VARIPACK Registerkarte Dokumentation - Modbus.

#### Kommunikation mit der BEST SOFTWARE für Windows herstellen (siehe Abbildung oben)

- FU muss unter Netzspannung stehen.
- Starten Sie die BEST SOFTWARE.
- Die Schaltfläche NEU anklicken.
- VARIPACK auswählen.
- Die Schaltfläche VERBINDEN anklicken.

Der Anschluss des VARIPACK-Frequenzumrichters am PC ist abgeschlossen.

#### VARIPACK konfigurieren

- Leistungsregelung des Verdichters in Abhängigkeit eines externen Sollwert-Signals:

- Die Schaltfläche KONFIGURATION anklicken.
- Den Parameter VERDICHTERTYP anklicken und den Verdichter, einschließlich des Motorcodes und der Motoranschlussart, auswählen
- Das entsprechende Kältemittel auswählen.
- Den "Analog-Sollwerteingang" (AI1: 0 .. 10 V / AI2: 4 .. 20 mA) auswählen.
- Die Sollwert-Steuercharakteristik "Min .. Max" oder "0 .. Max" auswählen.
- Auf den Parameter ÜBERTRAGEN klicken, auswählen und dann auf BENUTZEREINSTELLUNG ZUM GERÄT ÜBERTRAGEN klicken.

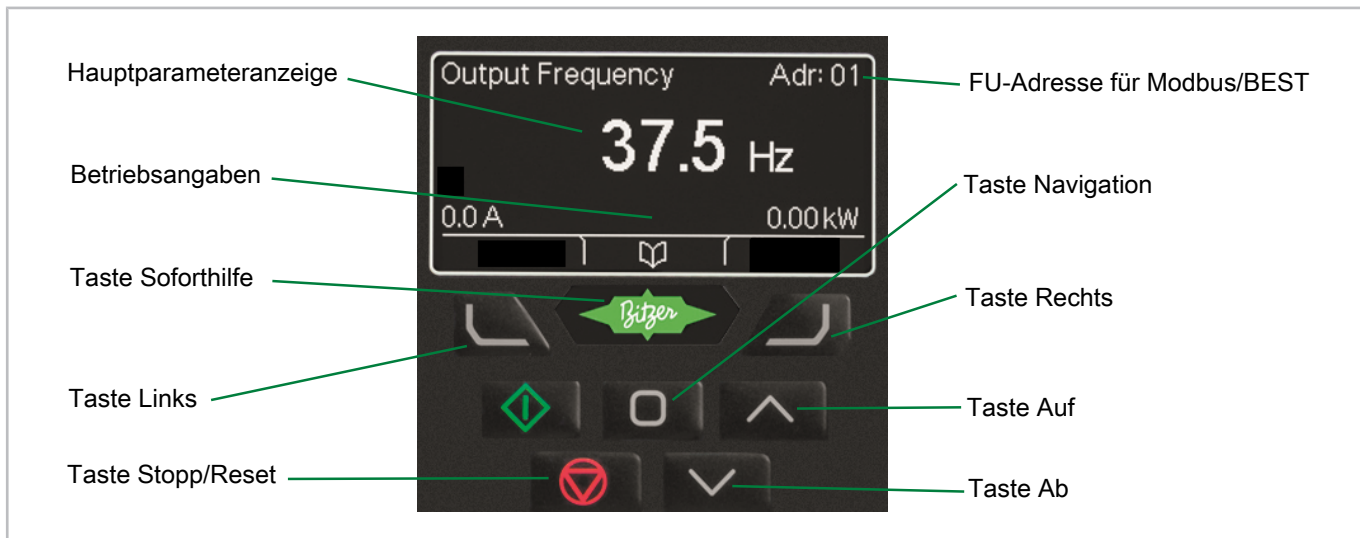
Die Basiskonfiguration ist damit abgeschlossen.

- Leistungsregelung des Verdichters in Abhängigkeit des Verdampfungsdrucks mit dem Erweiterungsmodul zur Druckregelung (Option, Teilenummer: 34797202):
  - Die gleiche Vorgehensweise wie oben.
  - Den Parameter BETRIEBSART anklicken und "Druckregelung" auswählen.
  - Falls nötig, die Temperatur- und Druckeinstellungen anpassen.
  - Den Parameter ÜBERTRAGEN klicken, auswählen und dann auf BENUTZEREINSTELLUNG ZUM GERÄT ÜBERTRAGEN klicken.

Die Basiskonfiguration ist damit abgeschlossen.

## 8 Betrieb

### Einstellungen über das Tastenfeld



**Hauptparameteranzeige** Hier wird der aktuell ausgewählte Parameter angezeigt, z. B. Motorfrequenz, Motorstrom usw.

**Betriebsangaben** Anzeige der wichtigsten Betriebsangaben in Echtzeit, z. B. Ausgangsstrom und -leistung

**Taste Soforthilfe:** Hiermit kann auf eine Kurzbeschreibung der angezeigten Meldungen zugegriffen werden.

**Taste Links:** Der Cursor bewegt sich eine Stelle nach links.

**Taste Stopp/Reset:** Zum Entriegeln eines FU aus der Fehlerabschaltung.

**FU-Adresse:** Die in Parameter P5-01 eingestellte serielle Kommunikationsadresse des FU.

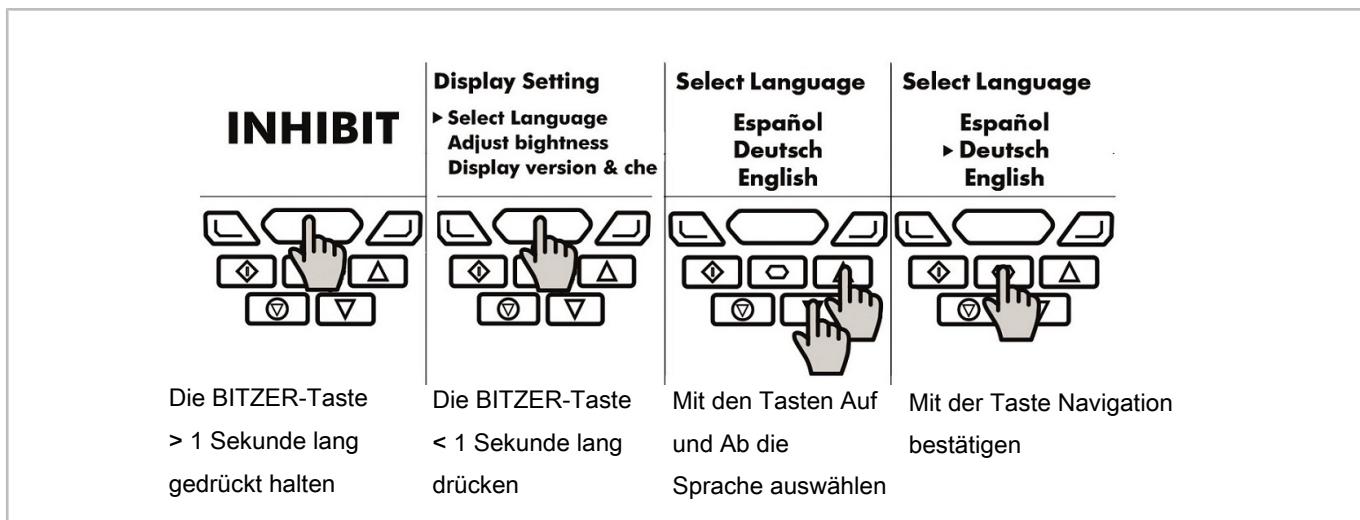
**Taste Navigation:** Hiermit werden Informationen in Echtzeit angezeigt, der Parametermodus aufgerufen und geschlossen sowie Parameteränderungen gespeichert.

**Taste Rechts:** Der Cursor bewegt sich eine Stelle nach rechts.

**Taste Auf** Hiermit werden die Parameterwerte im Modus Parameterbearbeitung erhöht.

**Taste Ab:** Hiermit werden die Parameterwerte im Modus Parameterbearbeitung abgesenkt.

### Sprachauswahl



### Zusätzliche Displayinformationen

<b>SF↓</b> 23.7Hz 15.3A	<b>ML</b> 23.7Hz 15.3A 6.9kW	<b>OL</b> 23.7Hz 15.3A 6.9kW	<b>STOP</b> 15kW 400V 3Ph
Die Schaltfrequenz wurde aufgrund der hohen Kühlkörpertemperatur reduziert	Die ankommende Netzspannung wurde unterbrochen	Zeigt einen Überlastungszustand an. Der Ausgangsstrom überschreitet den Motornennstrom	Start zu Start Verzögerung noch nicht abgelaufen

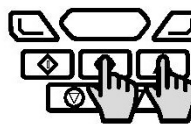
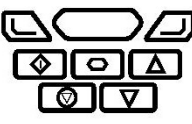
### Parameter ändern

<b>Stop</b> 15kW 400V 3Ph	<b>P1-01</b> 50.0Hz	<b>P1-01</b> 50.0Hz	<b>30.0</b> ⬆️⬇️ ↑30.0 ↓3.0	<b>30.0</b> ⬆️⬇️ ↑30.0 ↓3.0
Die Taste Navigation > 2 Sekunden lang gedrückt halten	Mit den Tasten Auf und Ab den erforderl. Parameter auswählen	Die Taste Navigation < 1 Sekunde lang drücken	Den Wert mit den Tasten Auf und Ab anpassen	Der Cursor bewegt sich eine Stelle nach links.

<b>P1-08</b> 30.0A	<b>Stop</b> 15kW 400V 3Ph
Durch Drücken der Taste Navigation < 1 Sekunde lang gelangen Sie wieder in das Menü Parameter	Durch Drücken der Taste Navigation > 2 Sekunden lang gelangen Sie wieder in die Betriebsanzeige

### Auswahl der Parametergruppen

Zur Aktivierung des Zugriffs auf erweiterte Parameter in Parameter P1-14 das Passwort „8670“ eingeben. Dadurch werden zusätzliche Parametergruppen sichtbar und können nach folgendem Verfahren schnell ausgewählt werden.

<b>P1-01</b>	<b>P2-01</b>
50.0Hz	5.0Hz
	
<p>Während Sie sich im Auswahlmenü Parameter befinden, die Tasten Navigation und Auf oder Navigation und Ab gleichzeitig drücken.</p>	<p>Dadurch wird die nächst höhere bzw. niedrigere zugängliche Parametergruppe ausgewählt.</p>

### Parametergruppen

- P0 - Überwachung
- P1 - Verdichtersteuerung (Betriebsfrequenz, Rampen, Steuerungsart und Benutzerzugriffsebene)
- P2 - Verschiedenes und Resonanzvermeidung
- P3 - Druck-/Temperatursteuerung
- P5 - Kommunikation Modbus-RTU
- P8 - Verbundsteuerung (2. Verdichter)

## Menüaufbau

Visible		Menu structure and default configuration		Anzeige
Eterne Regelung	Druck- Regelung			
Bediener		P0		Überwachung
Bediener		P0-01	AI1 Sollwert / Niederdruck X.X %	0.. 10 V Setpoint oder ND (AI1)
Bediener		P0-02	AI2 Sollwert / Hochdruck X.X %	4.. 20 mA Setpoint oder HD (AI2)
Bediener		P0-03	Status Digitaleingänge XXXX	DI7 / DI6 / DI5 / DI4 / DI3 / DI2 / DI1
Bediener		P0-04	Leistungsregelungs-Sollwert X.X Hz	Sollfrequenz
Bediener		P0-05	Niederdruck X.XX bar	Niederdruckwert
Bediener		P0-06	Hochdruck X.XX bar	Hochdruckwert
Bediener		P0-07	Niederdruck Abschalttemp. XX.X °C	Sattdampf Temperatur des Niederdruckschalter- Abschaltwerts
Bediener		P0-08	Hochdruck Abschalttemp. XX.X °C	Sattdampf Temperatur des Hochdruckschalter- Abschaltwerts
Bediener		P0-11	Motorspannung XXX V	Motorspannung
Bediener		P0-12	Motordrehmoment X.X %	Motormoment
Bediener		P0-13	Letzte 4 Störungen XX	Letzte 4 Störungen mit FU Betriebsstunden
Bediener		P0-16	Kühlkörpertemperatur XX.X °C	Kühlkörpertemperatur
Bediener		P0-17	Start zu Start Verzögerung XXX s	Verbleibende Verzögerungszeit
Bediener		P0-19	Laufzeit XXX h	Betriebsstunden des 2. Verdichters
Bediener		P0-20	Zwischenkreisspannung XXX V	Zwischenkreisspannung
Bediener		P0-21	Zwischenkreisspannung (ripple) XXX V	Welligkeit der Zwischenkreisspannung
Bediener		P0-25	Verdichtersfrequenz X.X Hz	Verdichtersfrequenz
Bediener		P0-26	Energiezähler (kWh) XXX kWh	Energiezähler
Bediener		P0-27	Energiezähler (MWh) XXX MWh	Energiezähler
Bediener		P0-28	Firmware-version X.XX	Firmware-Version
Bediener		P0-29	Umrichtertyp XXXX	Umrichter Informationen
Bediener		P0-30	Umrichter Seriennummer XXXXXXXXXXXXXXXXXXXX	Frequenzumrichter Seriennummer
Bediener		P0-31	Betriebsstunden Verdichter x h xx m xx s	Betriebsstunden Verdichter
Bediener		P0-32	Laufzeit seit Fehler 1 x h xx m xx s	Betriebszeit seit Fehlerabschaltung 1
Bediener		P0-33	Laufzeit seit Fehler 2 x h xx m xx s	Betriebszeit seit Fehlerabschaltung 2
Bediener		P0-34	Laufzeit seit Freigabe x h xx m xx s	Betriebsstunden seit der letzten Freigabe
Bediener		P0-35	Laufzeit Lüfter xx h	Betriebsstunden Lüfter
Bediener		P0-41	Zähler Überstrom XX	Zähler Überstromfehler
Bediener		P0-42	Zähler Überspannung XX	Zähler Überspannungsfehler
Bediener		P0-43	Zähler Unterspannung XX	Zähler Unterspannungsfehler

Abb. 22: Menüaufbau Teil 1

Bediener	P0-44	Zähler Kühlkörper-Übertemp. XX	Zähler Kühlkörpertemperaturfehler
Bediener	P0-46	Zähler Steuerkarten-Übertemp. XX	Zähler Steuerkartentemperaturfehler
Bediener	P0-49	Zähler Modbusfehler XX	Zähler Modbus-Kommunikationsfehler
Bediener	P0-50	Verdichterinformationen XX	Verdichter Informationen
Bediener	P0-59	Verdampfungstemperatur XX.X °C	Verdampfungstemperatur (Taupunkt)
Bediener	P0-60	Verflüssigungstemperatur XX.X °C	Verflüssigungstemperatur (Taupunkt)
Bediener	P0-61	Anzahl Zeitgesteuerter Resets XX	Verbleibende Wiederanläufe
Bediener	P0-62	Intervall Zeitgesteuerte Resets X S	Verbleibende Wiederanlaufzeit
Bediener	P0-65	Betriebsstunden Freq.-umrichter X h XX m XX s	Betriebsstunden Frequenzumrichter
Bediener	P0-70	Modulkennung X	Erweiterungsmodul-ID
Bediener	P0-72	Temperatur der Steuerkarte XX °C	Temperatur Steuerkarte
Bediener	P0-74	L1 Eingangsspannung XXX V	Eingangsspannung L1
Bediener	P0-75	L2 Eingangsspannung XXX V	Eingangsspannung L2
Bediener	P0-76	L3 Eingangsspannung XXX V	Eingangsspannung L3
Bediener	P1		Verdichter-Regelung
Techniker	P1-01	Maximale Frequenz XX.X HZ	Maximale Frequenz
Techniker	P1-02	Minimale Frequenz XX.X HZ	Minimale Frequenz
Techniker	P1-03	Rampe hoch X.X S	Rampe hoch in s / 50Hz
Techniker	P1-04	Rampe runter X.X S	Rampe runter in s / 50Hz
Techniker	P1-12	Betriebsmodus X	Betriebsmodus
Techniker	P1-13	Analog Eingangsfunktion X	Analogeingangsquelle
Bediener	P1-14	Zugriff Erweitertes Menü XXXX	Zugriff Erweitertes Menü
Techniker	P2		Diverses und Resonanzvermeidung
Techniker	P2-03	Force-Frequenz XX.X HZ	Force Frequenz
Techniker	P2-04	Haltefrequenz nach Start XX.X HZ	Haltefrequenz nach Start
Techniker	P2-05	Frequenzbereich 1: Ende XX.X HZ	Frequenzbereich 1: Ende
Techniker	P2-06	Frequenzbereich 1: Anfang XX.X HZ	Frequenzbereich 1: Start
Techniker	P2-07	Frequenzbereich 2: Ende XX.X HZ	Frequenzbereich 2: Ende
Techniker	P2-08	Frequenzbereich 2: Anfang XX.X HZ	Frequenzbereich 2: Start
Techniker	P2-15	Logik des Relais 1 (RL1) 0	Logik des Relais DD1
Techniker	P2-21	Start zu Start Verzögerung XXX S	Start zu Start Verzögerung
Techniker	P2-26	Wartezeit auf Haltefreq. X.X S	Haltezeit nach dem Start bei "Haltefrequenz nach Start"

Abb. 23: Menüaufbau Teil 2

Techniker	P2-27	Steuercharakteristik x	Sollwert-Steuercharakteristik
Techniker	P2-37	Timed Reset Intervall xxx s	Intervall für Zeitgesteuerte Resets
Techniker	P3		Druck-/Temperaturregelung
Techniker	P3-01	Maßeinheiten x	Maßeinheiten
Techniker	P3-02	Verdampfungstemperatur xx.x °C	Verdampfungstemperatur
Techniker	P3-03	Verdampfungstemp. Sollwert 2 xx.x °C	Verdampfungstemperatur-Sollwert 2 (DI4), z.B. für Nachtbetrieb mit verringerter Verdampfungstemperatur
Techniker	P3-04	Pump-down Abschalttemperatur xx.x °C	Pump-down Abschalttemperatur
Techniker	P3-05	Niederdruckschalter x.xx bar	Niederdruckschalter
Techniker	P3-06	P-Verstärkung des Reglers x.x	Ein höherer Verstärkungsfaktor führt zu einer schnelleren Ausregelung des Sollwerts
Techniker	P3-07	I-Verstärkung des Reglers x.x	Maximale Ventilatorumdrehzahl
Techniker	P3-08	Verflüssigungstemperatur xx.x °C	Verflüssigungstemperatur
Techniker	P3-09	Verflüssigungstemp. Sollwert 2 xx.x °C	Verflüssigungstemperatur-Sollwert 2 (DI5)
Techniker	P3-11	Verflüssigungstemp.- Begrenzer xx.x °C	Verflüssigungstemperatur-Begrenzer (Verdichterfrequenz wird reduziert)
Techniker	P3-12	Hochdruckschalter xx.xx bar	Hochdruckschalter
Techniker	P3-13	P-Verstärkung des Reglers x.x	Ein höherer Verstärkungsfaktor führt zu einer schnelleren Ausregelung des Sollwerts
Techniker	P3-14	I-Verstärkung des Reglers x.x	I-Verstärkung des Reglers
Techniker	P3-15	Maximale Ventilatorumdrehzahl xx %	Maximale Ventilatorumdrehzahl
Techniker	P3-16	Minimale Ventilatorumdrehzahl xx %	Minimale Ventilatorumdrehzahl
Techniker	P5		Modbus RTU Kommunikation
Techniker	P5-01	Modbus RTU: Adresse x	Modbus RTU: Adresse
Techniker	P5-03	Modbus RTU: Baudrate x	Modbus RTU: Baudrate
Techniker	P5-04	Modbus RTU: Parität/Stopbits x	Modbus RTU: Parität und Stopbits
Techniker	P5-05	Modbus RTU: Zeitüberschreitung x	Modbus RTU: Zeitüberschreitung
Techniker	P5-06	Modbus RTU: Zeitüber.-funktion x	Modbus RTU: Zeitüberschreitungsfunktion
Techniker	P8		Verbundregelung
Techniker	P8-04	Einschaltverzögerung xx s	Einschaltverzögerung für den Festdrehzahlverdichter
Techniker	P8-05	Abschaltverzögerung xx s	Abschaltverzögerung für den Festdrehzahlverdichter

Abb. 24: Menüaufbau Teil 3



## 9 Störmeldungen und Überwachungsfunktionen

### Beschreibung der Störtypen:

Zeitgesteuerte Entriegelung:

- "Timed reset"-Störungen entriegeln sich bis zu 5-mal selbsttätig. Wenn die Störung nicht mehr aktiv ist und die darauf folgende parametrisierte Zeitverzögerung abgelaufen ist, kann der Verdichter wieder anlaufen. Die Werkseinstellung für das "Intervall für Zeitgesteuerte Resets" beträgt 300 s. Kürzere Intervalle sollten nur in Anlagen mit einem übergeordneten Regler eingestellt werden, der über ein Alarmmanagement verfügt. Jede "Zeitgesteuerte-Reset"-Störung erhöht den Zähler für die zeitgesteuerten Entriegelungen um 1.
- Jede Betriebsstunde des Verdichters wird der Zähler der zeitgesteuerten Entriegelungen um 1 reduziert. Beim Erteilen eines Entriegelungs-Befehls (Reset-Taste auf dem Display, Digitaleingang DI3, Modbus, FU Neustart) wird der Zähler auf 0 gesetzt.

"External resets":

- Störungen des Typs "External reset" werden entriegelt wenn die Störung nicht mehr aktiv ist und ein Entriegel-Befehl empfangen wird. Der Entriegel-Befehl kann mit der roten Taste auf dem Bedienteil, über den Digitaleingang (DI3) oder über Modbus erfolgen.

Für eine Auflistung der möglichen Ursachen einer Störung sowie Anleitungen zur Problembehandlung, siehe BEST SOFTWARE.

## 10 Wartung



### GEFAHR

Lebensgefährliche Spannungen im Frequenzumrichtergehäuse!



Berühren kann zu schweren Verletzungen oder Tod führen.

FU-Gehäuse niemals im Betrieb öffnen! Hauptschalter ausschalten und gegen Wiedereinschalten sichern.

Mindestens 10 Minuten warten bis alle Kondensatoren entladen sind!

Vor Wiedereinschalten FU-Gehäuse schließen.

### Autorisiertes Fachpersonal

Wartungsarbeiten dürfen nur von Elektrofachkräften ausgeführt werden. Für die Qualifikation und Sachkunde der Fachkräfte gelten die jeweils gültigen Richtlinien.



### Information

Aus Gründen der Garantie, der Zuverlässigkeit und der Qualität darf nur qualifiziertes Fachpersonal Reparaturen an diesem Gerät vornehmen. Sofern nicht anders angegeben, dürfen VARIPACK Frequenzumrichter nicht zerlegt werden.

### Regelmäßige und vorbeugende Wartungsarbeiten

Im Zuge regelmäßiger Wartungsarbeiten an der Anlage:

- Die Lüfter des Kühlkörpers (falls montiert) sollten sich problemlos drehen lassen und staubfrei sein.
- Bei einer Montage in einem Schaltschrank: Schaltschrank-Filtermatten überprüfen, ggf. reinigen oder austauschen.



### VORSICHT

Im Betrieb wird der Kühlkörper des Frequenzumrichters heiß.



Gefahr von Verbrennungen bei Berührung! Vor Arbeiten am Frequenzumrichter, Stromversorgung trennen und mindestens 15 Minuten warten bis der Kühlkörper abgekühlt ist.

## Sommaire

<b>1</b>	<b>Introduction</b> .....	<b>83</b>
<b>2</b>	<b>Sécurité</b> .....	<b>83</b>
2.1	Personnel spécialisé autorisé .....	83
2.2	Risques résiduels .....	83
2.3	Équipement de protection individuelle.....	83
2.4	Indications de sécurité .....	83
2.4.1	Indications de sécurité générales .....	84
<b>3</b>	<b>Caractéristiques techniques</b> .....	<b>85</b>
<b>4</b>	<b>Montage</b> .....	<b>86</b>
4.1	Transport et stockage .....	87
4.2	Aération .....	87
4.3	Croquis cotés.....	88
<b>5</b>	<b>Raccordement électrique</b> .....	<b>89</b>
5.1	Eco-Design IEC61800-9-2.....	90
5.2	Sections de câbles, couples de serrage et fusibles.....	91
5.3	Retirer les couvercles des raccords.....	92
5.4	Raccordement de mise à la terre.....	92
5.5	Informations relatives à la conformité UL .....	92
5.6	Raccordements de puissance (câble d'alimentation en tension et câble moteur).....	93
5.7	Raccordements de commande (entrées et sorties).....	94
5.8	Modes de service.....	95
5.8.1	Sélection de l'entrée de la valeur de consigne .....	95
5.8.2	Régulation de la puissance du compresseur en fonction d'un signal de valeur de consigne externe (P2-27).....	96
5.8.3	Régulation de puissance du compresseur en fonction de la pression d'évaporation .....	97
5.9	Compatibilité électromagnétique (CEM) .....	97
5.9.1	Analyse des ondes harmoniques.....	99
5.10	Désactivation sûre du couple (STO).....	100
5.11	Schémas de principe .....	103
<b>6</b>	<b>Fonctions de commande et de régulation</b> .....	<b>111</b>
6.1	Module d'extension pour la régulation de la pression.....	112
<b>7</b>	<b>Mise en service</b> .....	<b>115</b>
<b>8</b>	<b>Commande</b> .....	<b>116</b>
<b>9</b>	<b>Messages de défaut et fonctions de contrôle</b> .....	<b>122</b>
<b>10</b>	<b>Maintenance</b> .....	<b>122</b>

## 1 Introduction

Les convertisseurs de fréquences VARIPACK ont été conçus pour une utilisation dans le domaine de la réfrigération, et plus particulièrement pour la régulation de puissance des compresseurs BITZER. Outre la régulation de vitesse, les convertisseurs de fréquences VARIPACK se chargent également des fonctions de commande et de régulation de l'installation frigorifique.

Ces instructions de service décrivent les convertisseurs de fréquences BITZER VARIPACK pour les compresseurs frigorifiques. Pour plus d'informations sur la programmation de l'interface Modbus RTU, voir BEST SOFTWARE.

Les convertisseurs de fréquences VARIPACK ont été conçus selon le stade actuel de la technique et satisfont aux réglementations en vigueur. La sécurité des utilisateurs a été particulièrement prise en considération. Ces instructions de service CB-111 doivent être conservées à proximité immédiate du convertisseur de fréquences VARIPACK !

## 2 Sécurité

### 2.1 Personnel spécialisé autorisé

L'ensemble des travaux sur les convertisseurs de fréquences ne peuvent être exécutés que par un personnel spécialisé ayant été formé et initié de façon adéquate. Les qualifications et compétences des personnels spécialisés sont décrites dans les réglementations et directives nationales.

### 2.2 Risques résiduels

Des risques résiduels inévitables sont susceptibles d'être causés par les produits, les accessoires électroniques et d'autres composants de l'installation. C'est pourquoi toute personne qui travaille sur cela est tenue de lire attentivement ce document ! Doivent absolument être prises en compte :

- les normes et prescriptions de sécurité applicables
- les règles de sécurité généralement admises
- les directives européennes
- les réglementations et normes de sécurité nationales

Exemples de normes applicables: EN378, EN60204, EN60335, EN ISO14120, ISO5149, IEC60204, IEC60335, ASHRAE 15, NEC, normes UL.

### 2.3 Equipement de protection individuelle

Pour tous les travaux sur des installations et leurs composants : Porter des chaussures de travail, des vêtements de protection et des lunettes de protection. Porter également des gants de protection contre le froid lorsque travailler sur le circuit frigorifique ouvert et sur les composants susceptibles de contenir des fluides frigorigènes.



Fig. 1: Porter l'équipement de protection individuelle !

### 2.4 Indications de sécurité

Indications de sécurité sont des instructions pour éviter de vous mettre en danger. Respecter avec soins les indications de sécurité !



#### AVIS

Indication de sécurité pour éviter une situation qui peut endommager un dispositif ou son équipement.



#### ATTENTION

Indication de sécurité pour éviter une situation potentiellement dangereuse qui peut provoquer des lésions mineures ou modérées.



#### AVERTISSEMENT

Indication de sécurité pour éviter une situation potentiellement dangereuse qui peut entraîner la mort ou des blessures graves.



#### DANGER

Indication de sécurité pour éviter une situation immédiatement dangereuse qui peut provoquer la mort ou des blessures graves.

### 2.4.1 Indications de sécurité générales



#### **DANGER**

Tensions très dangereuses à l'intérieur du corps du convertisseur de fréquences !



Tout contact peut provoquer des blessures graves ou la mort.

Ne jamais ouvrir le corps du CF en cours de fonctionnement ! Mettre l'interrupteur principal hors circuit et le sécuriser contre toute remise en marche.

Attendre au moins 10 minutes jusqu'à ce que tous les condensateurs soient déchargés !

Avant la remise en marche, fermer le corps du CF.



#### **DANGER**

Une mise à la terre incorrecte ou insuffisante peut, en cas de contact avec le convertisseur de fréquences, causer des chocs électriques extrêmement dangereux !



Mettre le convertisseur de fréquences complet à la terre de façon permanente et contrôler régulièrement les contacts de terre !

Avant chaque intervention sur l'appareil, contrôler si l'ensemble des raccordements de tension est correctement isolé !



#### **AVIS**

Risque de défaillance du convertisseur de fréquences due à une surtension !

Déconnecter toujours le convertisseur de fréquences du circuit à tester avant les essais de haute tension ou les essais d'isolation des câbles pendant le fonctionnement !



#### **ATTENTION**

En fonctionnement, le dissipateur de chaleur du convertisseur de fréquences devient chaud.

Risque de brûlures en cas de contact !



Avant tout travail sur le convertisseur de fréquences, couper l'alimentation électrique et attendre au moins 15 minutes que le dissipateur de chaleur ait refroidi.

### 3 Caractéristiques techniques

<b>Convertisseur de fréquences VARIPACK</b>	
Tension de service	380 .. 480 V +/- 10% (alimentation des réseaux TN et TT), 50 .. 60 Hz +/-5%  Fonctionnement sur réseaux IT sur demande. Afin d'atteindre une compatibilité avec ce type de réseau et la surveillance de réseau installée, il est nécessaire de désactiver les filtres CEM intégrés et d'utiliser des filtres externes spécifiques.  Fonctionnement sur des générateurs, des groupes de secours et des réseaux avec compensation de la puissance réactive uniquement après concertation avec BITZER.
Courant de fuite	< 10 mA
Asymétrie de phases autorisée	Maximum 3%
Degré de protection	Degré de protection du corps – IP55 et IP66 (NEMA 4X) Catégorie de surtension III
Stockage	-40°C .. +60°C
Lieu d'emplacement :	<ul style="list-style-type: none"> <li>• Température ambiante autorisée : -10°C .. +50°C. À partir de 40°C de température ambiante, diminution de la puissance par degré Celsius de 1,5% pour IP55 et de 2,5% pour IP66 (déclassement). Cela peut être directement pris en compte lors de la conception dans BITZER SOFTWARE.</li> <li>• Humidité relative de l'air autorisée : max. 95%, sans condensation (EN60721-3-3 classes 3S3 et 3C3).</li> <li>• Altitude maximale au-dessus du niveau de la mer : 4000 m. À partir d'une altitude de 1000 m au-dessus du niveau de la mer, diminution de la puissance de 1% tous les 100 m (déclassement). Cela peut être directement pris en compte lors de la conception dans BITZER SOFTWARE.</li> <li>• IP55 : Environnement suivant EN60664-4 : degré de pollution 2, ininflammable, non corrosif. IP66 : Environnement suivant EN60664-4 : degré de pollution 4, ininflammable, non corrosif.</li> </ul>
Vibrations	Test selon EN 60068-2-6 (Fc), 10 cycles par axe sur chacun des trois axes à angle droit les uns par rapport aux autres : <ul style="list-style-type: none"> <li>• 10 Hz &lt; f &lt; 57 Hz, sinusoïdal, 0,075 mm d'amplitude.</li> <li>• 57 Hz &lt; f &lt; 150 Hz, sinusoïdal, 1 g.</li> </ul>
Désactivation sûre du couple (STO)	La désactivation sûre du couple est une fonction de sécurité pour l'actionneur électrique, Désactivation sûre du couple (STO).
CEM	Le compresseur avec convertisseur de fréquences (CF) est conforme à la directive 2014/30/UE sur la compatibilité électromagnétique, voir chapitre Compatibilité électromagnétique (CEM), page 97.

La sélection et l'affectation des convertisseurs de fréquences VARIPACK aux compresseurs BITZER se fait dans BITZER SOFTWARE via le bouton Accessoires.

Tableau des valeurs nominales

380 ... 480V (+/- 10%), entrée triphasée, sortie triphasée

Type	Poids	Puissance nominale		Courant d'entrée nominal	Courant de sortie nominal	Caractéristiques spécifiques
	kg	kW	HP	A	A	Filtre CEM C2
FMY+6-4	4,8	2,2	3	4,7	5,8	Intégré
FMY+10-4	4,8	4	5	7,7	9,5	Intégré
FMY+14-4	4,8	5,5	7,5	11,4	14	Intégré
FNY+18-4	7,7	7,5	10	15	18	Intégré
FNY+24-4	7,7	11	15	20,5	24	Intégré
FNY+30-4	7,7	15	20	25,3	30	Intégré
FOY+39-4	9,5	18,5	25	35,2	39	Intégré
FOY+46-4	9,5	22	30	42,2	46	Intégré
FPW+61-4	23	30	40	52,3	61	Intégré
FPW+72-4	23	37	50	62,5	72	Intégré
FPW+90-4	23	45	60	79,5	90	Intégré
FQW+110-4	55	55	75	126,4	110	Externe*
FQW+150-4	55	75	100	164,7	150	Externe*
FQW+180-4	55	90	150	192,1	180	Externe*
FRW+202-4	89	110	175	210,8	202	Externe*
FRW+240-4	89	132	200	241	240	Externe*
FRW+302-4	89	160	250	299	302	Externe**

\* Filtre CEM externe pour la limite CEM C2 : Numéro de pièce : 347 955 02, désignation : FN 3359-250-28

\*\* Filtre CEM externe pour la limite CEM C2 : Numéro de pièce : 347 955 03, désignation : FN 3359-320-99

#### 4 Montage

- Le convertisseur de fréquences ne peut être monté qu'en position verticale.
- L'installation doit être effectuée sur un support plat approprié, résistant aux flammes. N'installer aucun matériau combustible à proximité du CF.
- L'emplacement de montage doit être conforme aux caractéristiques techniques.
- L'emplacement de montage doit être exempt de vibrations.
- Ne pas monter le CF en présence d'humidité excessive, de matériaux corrosifs ou de particules de poussière en suspension potentiellement dangereuses.
- Ne pas le monter à proximité de sources de chaleur.
- Le CF ne doit pas être monté dans un endroit exposé à la lumière directe du soleil. Si nécessaire, installer une protection solaire adaptée.
- Ne pas obstruer le flux d'air à travers le dissipateur de chaleur du CF. La chaleur produite dans le CF doit être dissipée naturellement. Le dégagement minimum spécifié autour du CF doit être respecté.

## 4.1 Transport et stockage



### AVIS

Risque d'endommagement du convertisseur de fréquences !

Ne pas soulever le convertisseur de fréquences par les raccords et ne pas le poser sur ces derniers.

Ne poser le CF que sur une surface propre, plane et sèche.

Ne stocker le CF que dans des endroits bien aérés et protégés contre les températures élevées, l'humidité, la poussière et les particules métalliques !



### Information

Si la durée de stockage du CF (séries FQW et FRW) dépasse 2 ans, les condensateurs de liaison CC doivent être reformés.

Température de stockage : -40°C .. +60°C.

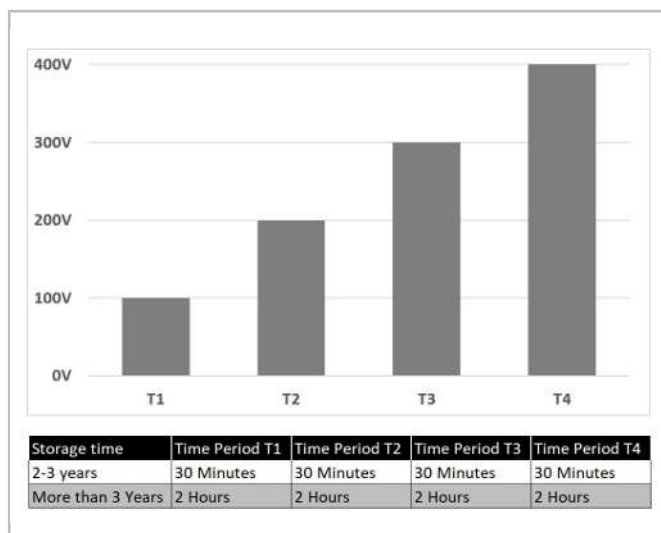


Fig. 2: Reformage

## 4.2 Aération



### AVIS

En fonctionnement, les convertisseurs de fréquences dégagent de la chaleur.

Une circulation et une arrivée d'air insuffisantes, voire bloquées au niveau du dissipateur de chaleur du convertisseur de fréquences peut conduire à une défaillance pour cause de surchauffe !

Respecter les espaces libres minimum pour la ventilation !

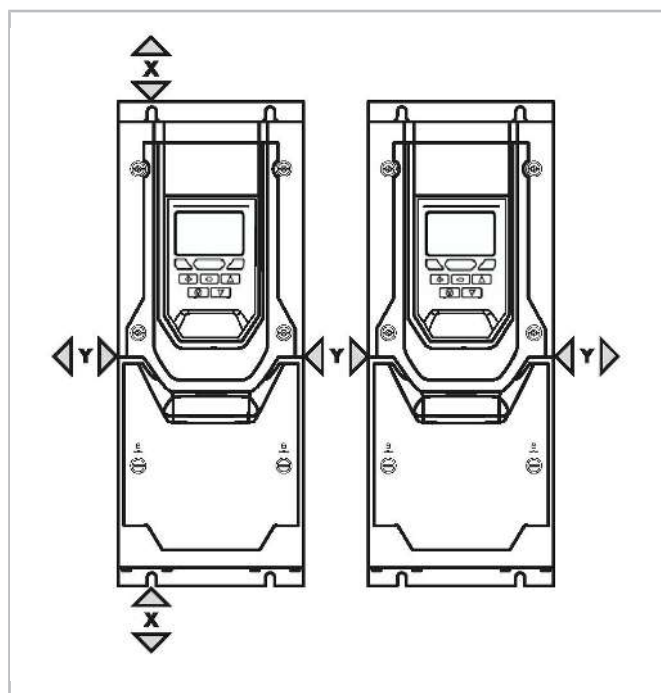


Fig. 3: Espaces de ventilation minimum IP55, IP66

Espaces de ventilation minimum		
	X	Y
	mm	mm
F.Y	200	10
F.W	200	10

### 4.3 Croquis cotés

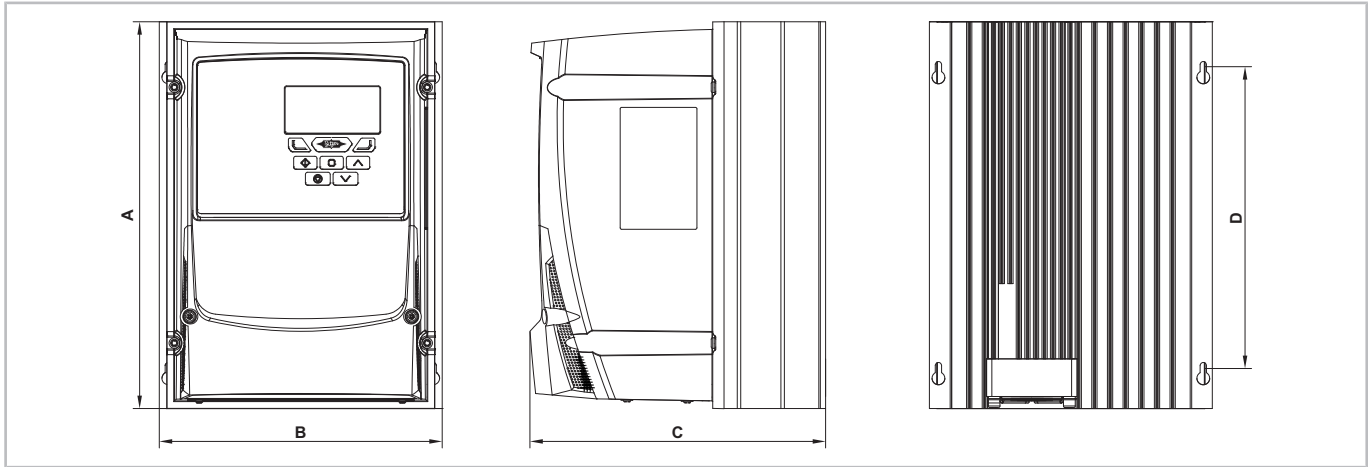


Fig. 4: IP66

	A	B	C	D	E
	mm	mm	mm	mm	mm
FMY+6-4, FMY+10-4	257	188	172	200	176
FMY+14-4	257	188	196	200	176
FNY+18-4, FNY+24-4, FNY+30-4	310	211	225	252	198
FOY+39-4, FOY+46-4	360	240	260	300	227

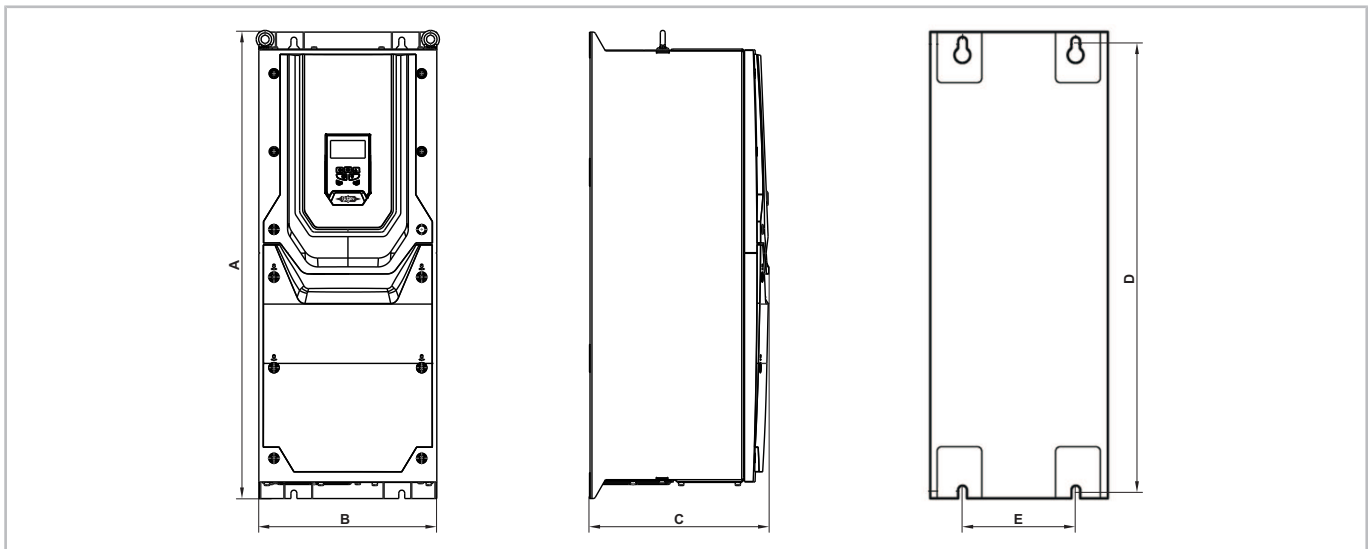


Fig. 5: IP55

	A	B	C	D	E
	mm	mm	mm	mm	mm
FPW+61-4, FPW+72-4, FPW+90-4	540	235	270	520	175
FQW+110-4, FQW+150-4, FQW+180-4	865	330	330	840	200
FRW+202-4, FRW+240-4, FRW+302-4	1280	330	360	1255	200



## 5 Raccordement électrique

Avant tout travail sur le système électrique :



### **DANGER**

Tensions très dangereuses à l'intérieur du corps du convertisseur de fréquences !



Tout contact peut provoquer des blessures graves ou la mort.

Ne jamais ouvrir le corps du CF en cours de fonctionnement ! Mettre l'interrupteur principal hors circuit et le sécuriser contre toute remise en marche.

Attendre au moins 10 minutes jusqu'à ce que tous les condensateurs soient déchargés !

Avant la remise en marche, fermer le corps du CF.



### **DANGER**

Dès que le convertisseur de fréquences est sous tension, les condensateurs de liaison CC sont chargés.



À partir de ce moment, tous les composants électriques du convertisseur de fréquences présentent un risque !

Pour le fonctionnement du convertisseur de fréquences, les raccordements électriques suivants sont nécessaires :

- Raccordement de mise à la terre
- Raccordement de puissance (câbles électriques et moteur).
- Raccordement de commande.

Le dimensionnement des sections de câbles, les couples de serrage des raccords de mise à la terre, de puissance et de commande ainsi que les types de fusibles sont répertoriés dans le tableau chapitre Sections de câbles, couples de serrage et fusibles, page 91. Il faut utiliser des fusibles de type gG (IEC 60269) ou des fusibles UL de type J, T ou CC ou des disjoncteurs de surcharge présentant les caractéristiques correspondantes.

Selon la norme IEC 61800-5-1, il est nécessaire de prévoir une installation fixe avec un dispositif de déconnexion adapté, installé entre le convertisseur de fréquences et la source d'alimentation CC. Le dispositif de déconnexion doit être conforme aux réglementations locales en matière de sécurité (par exemple, en Europe, EN 60204-1 – Sécurité des machines).

## 5.1 Eco-Design IEC61800-9-2

### IP55

VARIPACK puissance dissipée selon IEC61800-9-2											
Type	Puissance apparente (kVA)	IE Classe	45 Hz	45 Hz	25 Hz	25 Hz	25 Hz	0 Hz	0 Hz	0 Hz	Veille Watts
			100% Charge	50% Charge	100% Charge	50% Charge	25% Charge	100% Charge	50% Charge	0% Charge	
			Pertes %	Pertes %	Pertes %	Pertes %	Pertes %	Pertes %	Pertes %	Pertes %	W
VARIPACK IP55, Entrée 3Ph., Sortie 3Ph., 380-480V 50/60Hz, Filtre RFI, Écran TFT											
FPW+61-4	42,26	IE2	1,6	0,9	1,8	1,1	0,8	1,8	1,1	0,9	15,3
FPW+72-4	49,88	IE2	1,7	0,9	1,9	1,1	0,8	1,9	1,1	0,8	15,3
FPW+90-4	62,35	IE2	1,8	1,4	2,1	1,1	0,8	1,9	1,1	0,8	15,3
FQW+110-4	76,21	IE2	1,6	0,8	1,3	0,7	0,7	1,1	0,7	0,7	31
FQW+150-4	103,92	IE2	1,6	0,8	1,5	0,8	0,5	1,2	0,7	0,5	31
FQW+180-4	124,71	IE2	1,7	0,9	1,7	0,8	0,5	1,5	0,8	0,5	31
FRW+202-4	139,95	IE2	1,7	0,9	1,6	0,7	0,5	0,1	0,6	0,4	38
FRW+240-4	166,28	IE2	1,6	0,9	1,4	0,8	0,5	1,1	0,6	0,4	38
FRW+302-4	209,23	IE2	1,7	0,9	1,5	0,7	0,5	1,2	0,6	0,5	38

### IP66

VARIPACK puissance dissipée selon IEC61800-9-2											
Type	Puissance apparente (kVA)	IE Classe	45 Hz	45 Hz	25 Hz	25 Hz	25 Hz	0 Hz	0 Hz	0 Hz	Veille Watts
			100% Charge	50% Charge	100% Charge	50% Charge	25% Charge	100% Charge	50% Charge	0% Charge	
			Pertes %	Pertes %	Pertes %	Pertes %	Pertes %	Pertes %	Pertes %	Pertes %	W
VARIPACK IP66, Entrée 3Ph., Sortie 3Ph., 380-480V 50/60Hz, Filtre RFI, Écran TFT											
FMY+6-4	4,02	IE2	2,1	1,6	2,3	1,8	1,7	2,1	1,6	1,6	15,7
FMY+10-4	6,58	IE2	2,1	2,9	2,2	1,7	1,5	2,1	1,7	1,5	17,1
FMY+14-4	9,70	IE2	1,9	1,1	2	1,3	1,3	1,9	1,1	1,3	18,8
FNY+18-4	12,47	IE2	2,4	1,3	2,2	1,4	1,2	1,9	1,4	1,2	10
FNY+24-4	16,63	IE2	2,5	1,6	3	2	1,7	2,5	1,6	1,7	10,9
FNY+30-4	20,78	IE2	2,7	1,5	3	1,9	1,5	2,7	1,5	1,5	9,4
FOY+39-4	27,02	IE2	1,6	1	1,7	1,1	0,9	1,6	1	0,9	12
FOY+46-4	31,87	IE2	1,8	1	1,9	1,2	1	1,8	1,2	1	11,5

## 5.2 Sections de câbles, couples de serrage et fusibles

Taille du CF	Courant d'entrée nominal	Section maximale des câbles et couples de serrage (en Nm)				Fusibles			
		Raccordements de commande		Raccordements de puissance		Raccordements de mise à la terre		Courant nominal max. du fusible (A)	
	A	mm <sup>2</sup>	Nm	mm <sup>2</sup>	Nm	mm <sup>2</sup>	Nm	Non-UL	UL
FMY+6-4	4,7	1,5	0,5	8	0,8	Cosse de câble annulaire M4	2	6	6
FMY+10-4	7,7							10	10
FMY+14-4	11,4							16	15
FNY+18-4	15							25	20
FNY+24-4	20,5							25	25
FNY+30-4	25,3							32	35
FOY+39-4	35,2			16	2	50	45		
FOY+46-4	42,2							63	60
FPW+61-4	52,3			35	4	35	4	63	70
FPW+72-4	62,5							80	80
FPW+90-4	79,5							100	100
FQW+110-4	126,4			150	15	150	15	160	175
FQW+150-4	164,7							200	200
FQW+180-4	192,1							250	250
FRW+202-4	210,8							315	300
FRW+240-4	241							315	300
FRW+302-4	299	400	400						



### Information

Les sections de câbles spécifiées sont les tailles maximales pouvant être raccordées au CF. Sélectionner les câbles en fonction des règles de câblage ou des réglementations locales sur le site d'installation.

### 5.3 Retirer les couvercles des raccords

Tourner les vis de fixation du couvercle du raccord dans le sens inverse des aiguilles d'une montre et retirer le couvercle.

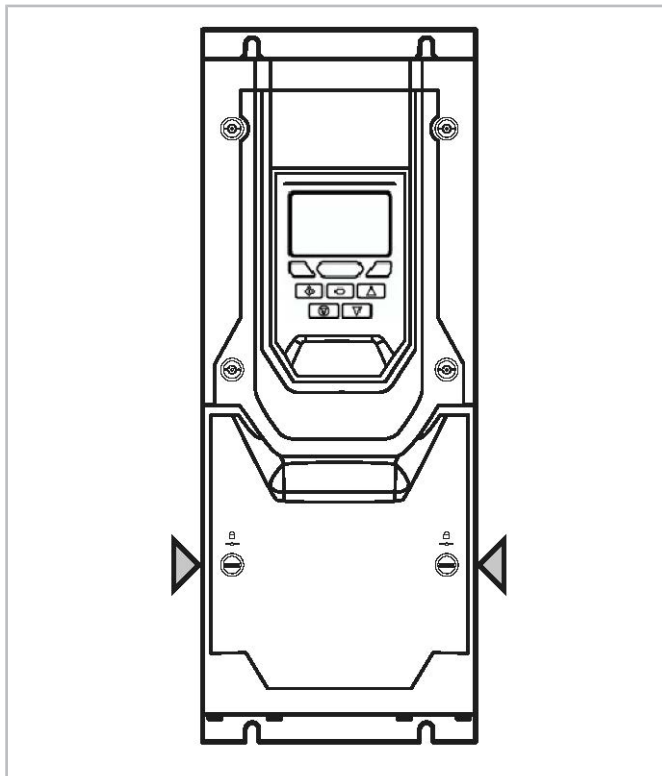


Fig. 6: Vis de fixation du couvercle du raccord

### 5.4 Raccordement de mise à la terre

- IP66 : Cosse de câble annulaire M4, fixation à la base
- IP55 : Cosse de câble normale

Les normes EN 61800-5-1 (Norme de produit pour les systèmes d'entraînement électriques à vitesse variable) et DIN EN 50178 DIN VDE 0160 (Équipement électronique utilisé dans les installations de puissance) imposent des exigences particulières en matière de mise à la terre dès que le courant de fuite à la terre dépasse 3,5 mA.

- En version simple, la section du conducteur de protection doit être de 10 mm<sup>2</sup> pour les conducteurs de phases (L1, L2, L3) ayant des sections inférieures à 16 mm<sup>2</sup> ; en version double, la section du conducteur de protection doit être plus grande en conséquence.
- Si les conducteurs de phase (L1, L2, L3) sont  $\geq 16$  mm<sup>2</sup> et  $\leq 35$  mm<sup>2</sup>, le conducteur de protection doit être de 16 mm<sup>2</sup>.

- Si les conducteurs de phase (L1, L2, L3) sont  $> 35$  mm<sup>2</sup>, la section du conducteur de protection doit être supérieure ou égale à 50% des conducteurs de phase (L1, L2, L3) utilisés.

Tous les éléments métalliques exposés du convertisseur de fréquences VARIPACK sont protégés par une isolation de base et mis à la terre.



#### AVERTISSEMENT

Les convertisseurs de fréquences VARIPACK peuvent générer un courant continu dans le conducteur de protection.



Risque de choc électrique en cas de contact !

Si pour vous protéger en cas de contact direct ou indirect, vous utilisez un dispositif de protection contre les courants de fuite (RCD) ou un dispositif de surveillance de courant de fuite (RCM), le côté alimentation électrique de ce produit ne peut accepter qu'un RCD ou un RCM de type B (selon la norme IEC/EN 60755) !

#### Disjoncteur différentiel (RCD ou disjoncteur FI)

- N'utiliser qu'un disjoncteur FI (RCD) de type B sensible à tous les courants qui soit également capable de détecter les courants continus résiduels.
- Prévoir un RCD distinct pour chaque CF en fonction de la configuration du système et des conditions environnementales.

### 5.5 Informations relatives à la conformité UL

Le convertisseur de fréquences est conçu pour répondre aux exigences de la norme UL. Pour une liste actuelle des produits conformes aux exigences UL, se reporter à la liste UL NMMS.E475976. Les points suivants doivent être respectés pour assurer une conformité totale.

#### Exigences concernant l'alimentation électrique

Tension	380 .. 480 V +/- 10% (réseau électrique TN et TT)
Fréquence	50 .. 60 Hz +/- 5%
Puissance de court-circuit	Tous les convertisseurs de fréquences peuvent être utilisés dans un circuit capable de fournir un courant de court-circuit maximal de 100 kA symétrique par rapport à la tension d'alimentation maximale s'ils sont protégés par des fusibles de classe J.

### Exigences concernant l'installation mécanique

Toutes les unités CF sont prévues pour une installation dans un environnement contrôlé qui respecte les limites indiquées dans la section des caractéristiques techniques figurant dans le présent guide de démarrage rapide.

Pour les unités IP55, l'installation dans un environnement avec un degré de contamination 2 est autorisée.

Pour les unités IP66 (Nema 4X), l'installation dans un environnement avec un degré de contamination 4 est autorisée.

### Exigences concernant l'installation électrique

Sélectionner des câbles électriques et des câbles moteur appropriés selon les données indiquées dans la section des caractéristiques techniques figurant dans ce guide de démarrage rapide et le code national d'électricité américain (NEC) ou d'autres codes locaux applicables.

Un câble moteur en cuivre pour au moins 75°C doit être utilisé.

La protection intégrée contre les courts-circuits par semi-conducteur n'assure pas de protection des circuits de dérivation. Les circuits de dérivation doivent être protégés conformément au code national d'électricité et aux autres codes locaux supplémentaires. Les caractéristiques sont indiquées dans la section des caractéristiques techniques du présent guide de démarrage rapide.

Pour les installations au Canada, un dispositif de suppression des surtensions transitoires doit être installé côté réseau de cet équipement et doit avoir une caractéristique assignée de 480 V (phase-terre), 480 V (phase-phase) ; il doit être adapté à la catégorie de surtension III et fournir une protection pour une pointe de tension nominale de 2,5 kV.

Utiliser des cosses de câble conformes aux exigences de la norme UL pour tous les rails de bus et bornes de mise à la terre.



#### AVERTISSEMENT

Le déclenchement du dispositif de protection des circuits de dérivation peut signifier qu'un courant de défaut a été interrompu. Pour réduire le risque d'incendie ou de choc électrique, les pièces conductrices et les autres composants du contrôleur doivent être vérifiés et remplacés s'ils sont endommagés. Si l'élément conducteur du relais de surcharge grille, le relais de surcharge entier doit être remplacé.



### 5.6 Raccordements de puissance (câble d'alimentation en tension et câble moteur)



#### DANGER

Une mise à la terre incorrecte ou insuffisante peut, en cas de contact avec le convertisseur de fréquences, causer des chocs électriques extrêmement dangereux !



Mettre le convertisseur de fréquences complet à la terre de façon permanente et contrôler régulièrement les contacts de terre !

Avant chaque intervention sur l'appareil, contrôler si l'ensemble des raccordements de tension est correctement isolé !

#### Préparer le passage des câbles

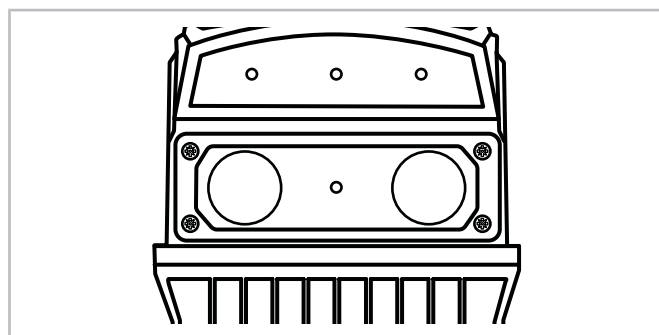


Fig. 7: Plaque d'entrée de câbles IP66



#### Information

Les trous des passe-câbles à vis pour l'alimentation en tension, les câbles de commande et les câbles moteur (CEM) doivent être percés dans la plaque d'entrée de câbles. Les passe-câbles à vis pour les câbles de commande et câbles de bus peuvent également être installés dans le couvercle supérieur en plastique (IP66). La plaque d'entrée de câbles doit être retirée avant de percer les trous pour éviter que la poussière ou les particules produites lors du perçage ne pénètrent dans le corps.

L'utilisation d'un système de presse-étoupe approprié est nécessaire pour maintenir le classement IP / NEMA approprié.

- IP55 : Dévisser la plaque d'entrée de câbles, percer des trous pour les câbles d'alimentation en tension, les câbles moteur et les conduites de commande et monter les passe-câble à vis dans les trous d'entrée des câbles. Revisser ensuite la plaque.
- IP66 : Dévisser la plaque d'entrée de câbles et monter les passe-câble à vis dans les trous prévus à cet effet. Un trou séparé doit être percé pour le câble de commande et équipé d'un passe-câble à vis. Revisser ensuite la plaque.

## Tailles des presse-étoupes

Taille du CF	Taille de trou	Presse-étoupe PG recommandé	Presse-étoupe métrique alternatif
M, N	27	PG21	M25
O	37	PG29	M32
P, Q, R	Non prévu	-	-

## Raccorder les câbles

Faire passer le câble d'alimentation et le câble moteur blindé par les passe-câbles à vis dans le convertisseur de fréquences VARIPACK et les raccorder aux bornes d'alimentation. Respecter les couples de serrage des bornes voir chapitre Sections de câbles, couples de serrage et fusibles, page 91!

- Raccordement des câbles d'alimentation en tension aux bornes L1, L2, L3 et à la borne du conducteur de protection. L'ordre des phases n'est pas important.
- Raccordement du câble moteur aux bornes U, V, W et à la borne du conducteur de protection.
- Tenir compte des remarques relatives à la compatibilité électromagnétique (CEM) voir chapitre Compatibilité électromagnétique (CEM), page 97 !

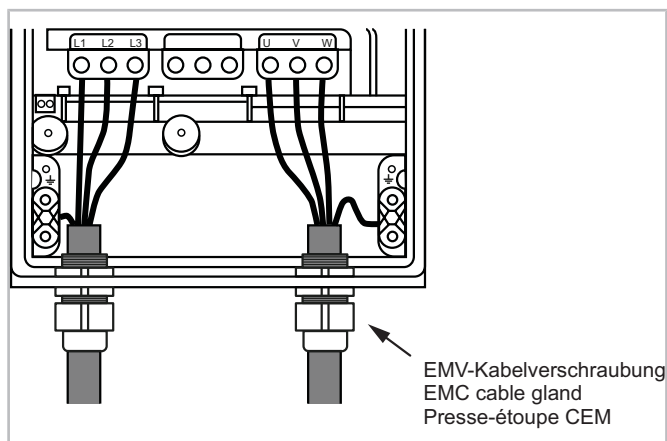


Fig. 8: Raccordement de puissance (câble d'alimentation en tension et câble moteur)

## 5.7 Raccordements de commande (entrées et sorties)



### Information

L'ensemble du câblage externe doit être homologué pour la tension du système la plus élevée !

Toutes les bornes de commande et de signalisation garantissent de très basses tensions de sécurité (TBTS), autrement dit, elles sont protégées par une double isolation.

Spécification des raccordements de commande :

- Câbles avec embouts isolés ou non isolés : 0,25 .. 1,5 mm<sup>2</sup>.

### Entrées numériques

- Fonction
  - 2 : DI1 (Start)  
Commande de démarrage du compresseur.
  - 3 : DI2 (Force)  
Fonctionnement du compresseur avec une fréquence configurable (50 Hz réglage d'usine).
  - 4 : DI3 (Reset)  
Déverrouillage de défauts.
- Caractéristiques techniques
  - État :  
Arrêt : 0 .. 7 V CC  
Marche : 8 .. 30 V CC
  - Tension d'entrée max. : +30 V CC
  - Impédance d'entrée : 10 kΩ.

### Entrées analogiques

- Fonction
  - 6 : AI1 (V / p0)  
Régulation externe : valeur de consigne comme signal de 0 .. 10 V.  
Avec module d'extension (régulation de pression) : entrée pour le transmetteur de basse pression.
  - 7 : 0 V
  - 10 : AI2 (mA / pc)  
Régulation externe : valeur de consigne comme signal de 4 .. 20 mA.

Avec module d'extension (régulation de pression) : entrée pour le transmetteur de haute pression.

- Caractéristiques techniques
  - Signal d'entrée : 0 .. 10 V ou 4 .. 20 mA
  - Courant d'entrée max. :  $\leq 20$  mA (signal de courant)
  - Tension d'entrée max. : +30 V CC (signal de tension)
  - Impédance d'entrée :
    - Plage de tension : 86 k $\Omega$
    - Plage de courant : 500  $\Omega$

### Sorties analogiques

- Fonction
  - 8 : AO1 (Fan)
    - Régulation externe : sans fonction.
    - Avec module d'extension (régulation de pression) : asservissement du ventilateur de condenseur 0 .. 10 V.
  - 11 : AO2
    - Réserve.
- Caractéristiques techniques
  - Signal de sortie : 0 .. 10 V.
  - Courant de sortie max. : 20 mA, avec protection contre les courts-circuits.
  - Impédance de sortie : Plage de tension 86 k $\Omega$ .

### Relais

- Fonction
  - 14 : RL1-In  $\rightarrow$  15 : RL1-NO
    - Les fonctions « Aucun défaut » (réglage d'usine) ou « Aucun défaut et aucune temporisation » ou « Aucun défaut, aucune temporisation et démarrage » sont configurables via le paramètre « Logique du relais 1 (RL1) » P2-15. .
  - 17 : RL2-A  $\rightarrow$  18 : RL2-B
    - Compresseur en marche.
- Caractéristiques techniques
  - Relais libre de potentiel.
  - Plage de courant de commutation maximale : 5 A (250 V CA / 30 V CC)

- Plage de courant de commutation minimale : 20 mA (min. 24 V CA / 24 V CC)
- La protection contre les charges inductives ou capacitives doit être fournie par des mesures externes.



#### Information

L'entrée STO doit être activée pour permettre le démarrage du compresseur !

### STO

- Fonction Désactivation sûre du couple (STO)
  - 12 : STO
    - Entrée STO (désactivation sûre du couple).
  - 13 : Common
- Caractéristiques techniques
  - État :
    - Arrêt : < 18 V CC
    - Marche : 18 .. 30 V CC
  - Tension d'entrée max. : +30 V CC

### 5.8 Modes de service

Le convertisseur de fréquences VARIPACK peut fonctionner selon deux modes de service :

- Régulation de puissance du compresseur en fonction d'un signal de valeur de consigne externe (voir chapitre Sélection de l'entrée de la valeur de consigne, page 95).
- Régulation de puissance du compresseur en fonction de la pression d'évaporation ; pour ce faire, le module d'extension optionnel pour la régulation de pression est nécessaire (voir chapitre Régulation de puissance du compresseur en fonction de la pression d'évaporation, page 97).

En plus de la régulation directe par la pression d'évaporation, il est possible de réguler le ventilateur du condenseur via un signal de sortie de 0 .. 10 V et de mettre en marche un deuxième compresseur.

#### 5.8.1 Sélection de l'entrée de la valeur de consigne

En modifiant les paramètres (P1-13), les convertisseurs de fréquences VARIPACK peuvent être contrôlés par un signal de 0 .. 10 V (réglage d'usine) ou de 4 .. 20 mA.

### 5.8.2 Régulation de la puissance du compresseur en fonction d'un signal de valeur de consigne externe (P2-27)

- Si la caractéristique de commande « Min .. Max » est activée, le compresseur démarre lorsque la commande de démarrage DI1 est transmise. Le signal de la valeur de consigne commande la fréquence de façon linéaire entre les fréquences minimale et maximale du compresseur.

- Si un signal 0 .. 10 V est utilisé, le raccorder à l'entrée AI1 (6).
- Si un signal 4 .. 20 mA est utilisé, le raccorder à l'entrée AI2 (10).

Explication graphique de la caractéristique de commande « Min .. Max » voir figure 9, page 96.

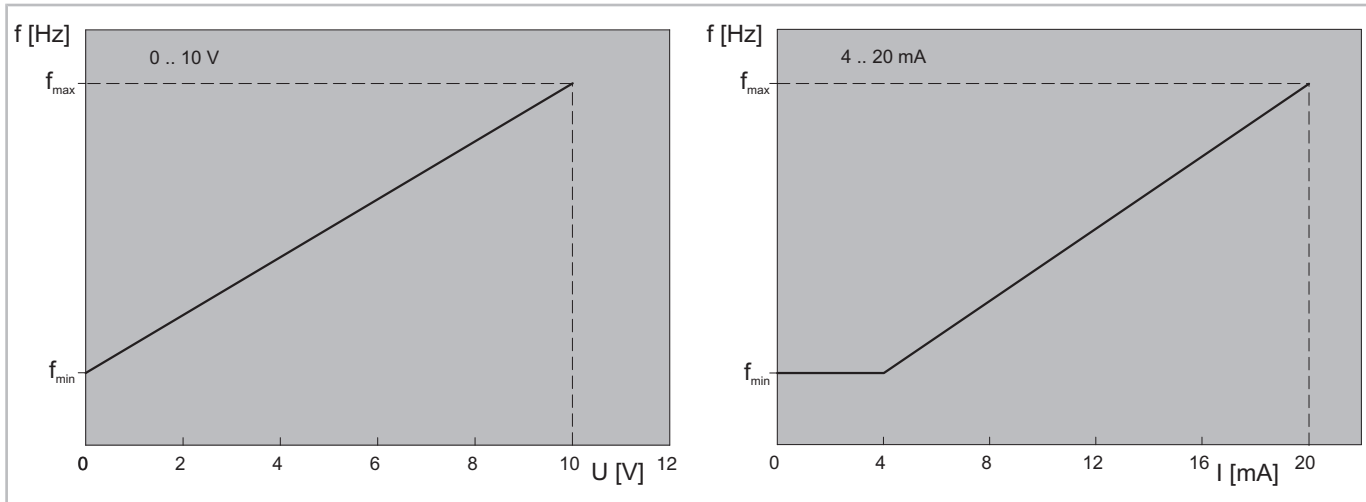


Fig. 9: Caractéristique de commande « Min .. Max »

#### Caractéristique de commande « 0 .. Max »

Une autre possibilité est de modifier les paramètres pour remplacer la caractéristique de commande « Min .. Max » par la caractéristique « 0 .. Max ».

- Pour que le compresseur démarre si la caractéristique de commande utilisée est « 0 .. Max », il est nécessaire qu'un signal de valeur de consigne > 1%

(0,1 V) soit envoyé en plus de la commande de démarrage DI1 (2). Le signal de la valeur de consigne détermine la fréquence entre 0 Hz et la fréquence maximale. Si le signal est > 1% mais inférieur à la fréquence minimale du compresseur, ce dernier fonctionne à fréquence minimale.

Explication graphique de la caractéristique de commande « 0 .. Max » voir figure 10, page 96.

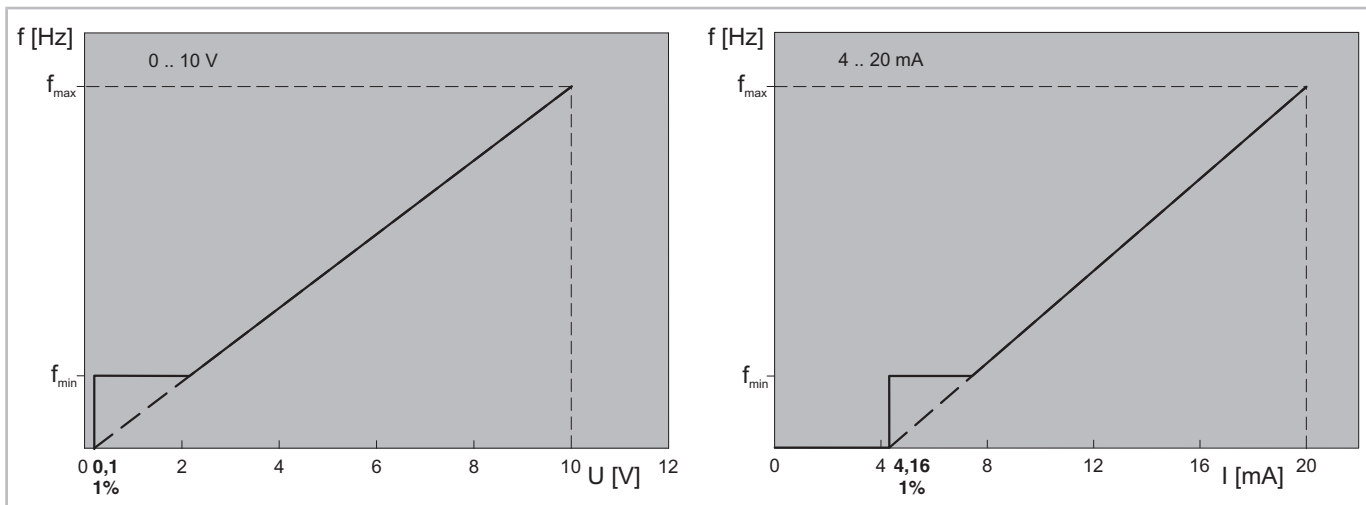


Fig. 10: Caractéristique de commande « 0 .. Max »



### 5.8.3 Régulation de puissance du compresseur en fonction de la pression d'évaporation

Pour réguler la puissance du compresseur en fonction de la pression d'évaporation, il faut utiliser le module d'extension optionnel de régulation de pression.

Assembler le kit de montage pour module d'extension (numéro de pièce 34797202) :

- Enfoncer le module d'extension dans le logement d'extension du CF et serrer les deux vis à l'aide d'un tournevis T10.
- Transmetteur de pression
  - Installer le transmetteur de pression marqué « TA-12, 8SS » côté basse pression.
  - Installer le transmetteur de pression marqué « TA-34, 5SS » côté haute pression.
  - Si des vannes Schrader sont présentes, installer le transmetteur de pression sans son joint d'étanchéité en cuivre pour assurer une ouverture sécurisée (moment de force max. 15 Nm).

Câblage du module d'extension voir chapitre Schémas de principe, page 103.



Fig. 11: Module d'extension

### Fonctionnement et caractéristiques techniques du module d'extension

#### Entrées numériques

- Fonction
  - Borne 1  
Commutation de la valeur de consigne de température d'évaporation de 1 à 2.
  - Borne 2

Commutation de la valeur de consigne de température de condensation de 1 à 2.

- Caractéristiques techniques
  - État : Arrêt : 0 .. 7 V CC, Marche : 8 .. 30 V CC
  - Tension d'entrée max. : +30 V CC
  - Impédance d'entrée : 10 kΩ

#### Relais

- Fonction
  - Bornes 5 et 6  
Relais libre de potentiel pour le démarrage du 2ème compresseur.

Tension max. : 250 V CA / 30 V CC

La protection contre les charges inductives ou capacitatives doit être fournie par des mesures externes.

Courant max. : 6 A (250 V CA) / 5 A (30 V CC) de charge ohmique.

Courant min. : 20 mA (24 V CA) / 24 V CC de charge ohmique.

### 5.9 Compatibilité électromagnétique (CEM)

Vue d'ensemble voir chapitre Analyse des ondes harmoniques, page 99.

Les convertisseurs de fréquences VARIPACK satisfont aux directives de l'UE sur la compatibilité électromagnétique 2014/30/UE et 2004/108/CE.


La norme de produit EN61800-3 porte sur l'immunité aux signaux parasites des convertisseurs de fréquences. Les convertisseurs de fréquences répondent aux exigences du premier et du deuxième environnement.


L'émission parasite des convertisseurs de fréquences est régulée selon la norme produit EN61800-3, qui distingue entre les catégories C1 à C4. Comparée aux normes spécialisées de base, la catégorie C2 selon EN61800-3:2004 correspond à la norme EN61000-6-4:2007+A1:2011. La catégorie C3 n'est pas transmissible. La section suivante se limite à la description des catégories C.

Exigences CEM générales pour satisfaire à la catégorie C2 :

- Utilisation d'un câble blindé entre le CF et le moteur (câble moteur), voir figure 8, page 94.
  - Poser le blindage des deux côtés.

- Acheminer le câble blindé dans l'armoire électrique jusqu'au VARIPACK et le faire passer correctement par un passe-câble à vis CEM.
- Le câble moteur
  - ne doit pas croiser d'autres câbles. En cas de croisement, toujours croiser avec un angle de 90° !
  - devrait être posé autant que possible séparément du câble d'alimentation et des conduites de commande. Si une pose en parallèle est inévitable, conserver un espace d'au moins 0,25 m.


 **AVERTISSEMENT**  
Des interférences CEM à fréquence élevée sont à attendre sur le réseau.  
FMY+64 .. FMY+14-4 sont classés comme des dispositifs à usage professionnel selon la norme EN61000-3-2:2014.  
Avant tout raccordement au réseau public d'alimentation basse tension, il faut obtenir une autorisation de l'entreprise fournisseur en énergie.

 **Information**  
Les types FMY+18-4 .. FPW +72-4 satisfont à toutes les exigences de la norme EN61000-3-12:2011 (voir chapitre Analyse des ondes harmoniques, page 99).

**FMY+6-4 .. FPW+90-4:**


- Ces types sont équipés en standard d'un filtre CEM pour la catégorie C2.

Si les exigences CEM satisfaites suffisent pour atteindre la catégorie C3, la longueur de câble maximale admissible entre le CF et le moteur est de 25 m.

 **AVERTISSEMENT**  
Des interférences CEM à fréquence élevée sont à attendre sur le réseau !  
En environnement résidentiel, des interférences CEM à fréquence élevée peuvent se produire, rendant l'antiparasitage nécessaire.

**FQW+110-4 .. FRW-302-4 :**

- Ces types sont équipés d'un filtre CEM pour la catégorie C3. Pour répondre aux exigences de la catégorie 2, un filtre CEM doit être installé à l'entrée du convertisseur de fréquences :  
FQW+110-4 .. FRW-240-4 :  
numéro de pièce 34795502,  
désignation FN 3359-250-28 ;  
FRW+302-4 :  
numéro de pièce 34795503,  
désignation FN 3359-320-99.

 **AVERTISSEMENT**  
Sans utilisation d'un filtre CEM externe, des interférences CEM haute fréquence du réseau de tension peuvent se produire !  
Cette constellation d'entraînement n'est pas conçue pour fonctionner dans un réseau basse tension public qui alimente des zones d'habitation.

Taille du CF	Degré de protection	Longueur maximale du câble moteur		
		C1 <sup>①</sup>	C2	C3
M, N, O	IP66	1 m	5 m	25 m
P	IP55	1 m	5 m	25 m
Q, R	IP55	-	5 m <sup>②</sup>	25 m

① la conformité n'est atteinte qu'avec les émissions conduites de la catégorie C1

② avec filtre externe

### 5.9.1 Analyse des ondes harmoniques

Frequency inverter type	FMY+6-4	FMY+10-4	FMY+14-4	FNY+18-4	FNY+24-4	FNY+30-4	FOY+39-4	FOY+46-4
rated Power (kW)	2.2	4	5.5	7.5	11	15	18.5	22
Harmonic No.	RMS Current (A)							
1	4,650	7,590	10,700	13,800	18,900	24,500	28,500	35,400
3	0,031	0,065	0,039	0,088	0,199	0,045	0,305	0,283
5	0,940	1,530	2,200	2,980	3,970	5,150	7,200	8,190
7	0,706	1,110	1,540	1,930	2,580	3,380	3,190	4,070
9	0,028	0,061	0,025	0,043	0,142	0,029	0,121	0,147
11	0,399	0,657	0,969	1,260	1,570	2,180	3,430	3,020
13	0,434	0,667	0,917	1,220	1,690	2,100	0,893	2,560
15	0,016	0,032	0,020	0,037	0,165	0,046	0,134	0,115
17	0,292	0,470	0,738	1,030	1,210	1,840	1,490	2,060
19	0,284	0,410	0,602	0,812	1,040	1,290	1,110	1,710
21	0,050	0,065	0,037	0,067	0,190	0,057	0,093	0,075
23	0,254	0,337	0,643	0,940	0,942	1,450	1,260	1,750
25	0,207	0,325	0,435	0,463	0,793	0,820	0,790	0,918
27	0,040	0,084	0,055	0,065	0,267	0,082	0,108	0,267
29	0,219	0,319	0,543	0,804	0,944	1,210	0,988	1,330
31	0,170	0,288	0,344	0,424	0,646	0,677	0,753	0,471
33	0,036	0,065	0,043	0,102	0,311	0,046	0,139	0,196
35	0,177	0,264	0,472	0,656	0,831	1,010	1,020	0,920
37	0,140	0,210	0,220	0,250	0,498	0,487	0,663	0,379
39	0,042	0,073	0,013	0,058	0,270	0,063	0,277	0,140
40	0,006	0,012	0,017	0,026	0,069	0,089	0,111	0,084
Total RMS Current (A)	1,46	2,32	3,35	4,46	5,87	7,63	9,14	10,66
THD (I) %	29,73%	29,12%	23,73%	30,31%	29,33%	29,44%	23,14%	22,87%

Fig. 12: Tableau d'analyse des ondes harmoniques FMY+6-4 .. FOY+46-4

FMY+6-4 .. FMY+14-4 sont classés comme des dispositifs à usage professionnel selon la norme EN61000-3-2.

Frequency inverter type	FPW+61-4	FPW+72-4	FPW+90-4	FQW+110-4	FQW+150-4	FQW+180-4	FRW+202-4	FRW+240-4	FRW+302-4
rated Power (kW)	30	37	45	55	75	90	110	132	160
Harmonic No.	RMS Current (A)								
1	47,469	59,481	75,400	98,809	130,194	153,528	162,745	194,336	241,996
3	0,330	1,073	0,728	5,866	5,576	4,887	3,731	4,944	5,675
5	13,279	12,268	16,700	41,762	49,101	55,584	87,375	98,009	116,705
7	4,252	7,371	9,760	20,184	21,967	24,527	51,666	53,411	58,399
9	0,554	0,528	0,475	0,850	0,592	0,994	3,951	5,314	5,108
11	5,116	5,545	7,570	7,896	10,345	12,758	9,807	9,053	8,397
13	1,705	4,979	5,410	5,604	5,915	5,836	6,448	7,854	11,480
15	0,383	0,157	0,207	0,578	0,728	0,960	0,784	2,094	3,698
17	1,440	3,228	4,800	3,431	4,703	5,439	7,089	6,647	5,416
19	2,088	3,220	3,600	3,525	4,542	5,292	2,384	4,265	6,008
21	0,295	0,186	0,195	0,518	0,552	0,703	0,971	0,695	0,399
23	1,728	2,606	3,450	1,939	2,892	3,447	4,817	6,131	5,353
25	1,356	1,537	2,520	2,675	3,699	4,376	2,087	1,582	4,726
27	0,279	0,115	0,169	0,429	0,516	0,693	0,965	0,830	0,577
29	1,208	1,616	2,900	1,731	2,501	2,957	2,302	4,111	5,250
31	0,979	1,146	1,890	1,886	2,656	3,262	2,031	1,573	1,894
33	0,159	0,350	0,151	0,358	0,447	0,561	0,646	0,942	0,581
35	0,406	1,007	2,460	1,275	1,878	2,264	1,728	2,069	3,723
37	1,158	1,120	1,460	1,427	2,037	2,490	1,612	1,516	0,836
39	0,432	0,178	0,134	0,420	0,555	0,704	0,574	0,591	0,824
40	0,050	0,167	0,089	0,267	0,382	0,473	0,138	0,159	0,104
Total RMS Current (A)	15,48	17,27	23,15	48,24	56,16	63,52	102,82	113,09	132,17
THD (I) %	30,81%	28,10%	29,31%	45,97%	40,91%	37,58%	52,58%	49,51%	47,44%

Fig. 13: Tableau d'analyse des ondes harmoniques FPW+61-4 .. FRW+302-4

FPW+18-4 .. FRW+302-4 satisfont à toutes les exigences de la norme EN61000-3-12:2011.

Les produits VARIPACK sont conformes à la norme CEI 61000-3-12 sans qu'il soit nécessaire de recourir à des inductances de ligne, à condition que la puissance de court-circuit  $S_{SC}$  soit supérieure ou égale à  $S_{SC(min)}$  au point d'interface entre l'alimentation de l'utilisateur et le système public. Il incombe à l'installateur ou à l'utilisateur de l'équipement de s'assurer, en consultant si nécessaire le gestionnaire du réseau de distribution, que l'équipement n'est raccordé qu'à une alimentation dont la puissance de court-circuit  $S_{SC}$  est supérieure ou égale à  $S_{SC(min)}$  calculé comme :  $S_{SC(min)} = 320 \times V_n \times I_n$

Où  $V_n$  est la tension nominale du variateur (entre phases) et  $I_n$  est le courant nominal du variateur (par phase).

### 5.10 Désactivation sûre du couple (STO)

Les convertisseurs de fréquences VARIPACK sont équipés en version standard d'une fonction d'arrêt, la fonction de désactivation sûre du couple (STO). La fonction STO permet de se passer du contacteur principal en amont ou en aval du convertisseur de fréquences.

### Responsabilités

L'ingénieur système est responsable de l'évaluation des risques pour l'ensemble du système, de la définition et du respect des exigences du système de gestion technique de sécurité intégrant le convertisseur de fréquences ainsi que de la vérification complète de la fonction de sécurité. La fonction STO doit être vérifiée avant la mise en service du CF.

À cette fin, le concepteur du système doit effectuer une analyse complète des risques et des dangers afin de déterminer les risques potentiels, les catégories de risques et les mesures possibles pour les réduire. La fonction STO est évaluée pour s'assurer de son adéquation avec la catégorie de risque en question.

### Bénéfices de la fonction STO

La fonction STO empêche le moment de force d'être généré dans le moteur par le convertisseur en l'absence du signal d'entrée STO (bornes 12 et 13). Cela permet d'intégrer le dispositif dans un système de gestion de sécurité complet tout en respectant toutes les exigences de la fonction STO.



#### AVERTISSEMENT

La fonction STO n'empêche pas un redémarrage inattendu du compresseur. Le redémarrage automatique devient possible au moment où l'entrée STO reçoit le signal correspondant. Cette fonction ne doit donc pas être utilisée pour effectuer des travaux non électriques de courte durée (tels que les travaux de nettoyage ou de maintenance).

La fonction STO élimine généralement le besoin d'interrupteurs électromécaniques combinés à des contacts auxiliaires pour vérification, ce qui est normalement nécessaire pour de telles fonctions de sécurité.

Ce CF est équipé en standard de la fonction STO, répondant ainsi à l'exigence de « désactivation sûre du couple » prescrite par la norme IEC 61800-5-2:2016.

La fonction STO correspond également à un arrêt non contrôlé conformément à la catégorie 0 (arrêt d'urgence) définie dans la norme IEC 60204-1. Cela signifie que le moteur effectue un arrêt au ralenti lorsque la fonction STO est activée. Il convient de vérifier que cette méthode est adaptée au système particulier entraîné par le moteur.

La fonction STO est considérée comme une méthode infallible même lorsqu'aucun signal STO n'est présent et qu'un seul défaut s'est produit dans le convertisseur. L'adéquation du CF avec cette méthode est confirmée par le respect des normes de sécurité suivantes :

EN 61800-5-2	
SIL (Safety Integrity Level = niveau d'intégrité de sécurité)	2
PFHD (Probability of dangerous Failures per Hour = Probabilité de défaillance dangereuse par heure)	1,23E-09 1/h (0,12% de SIL 2)
SFF (Safe failure fraction % = Proportion de défaillances en sécurité %)	50
Durée de service attendue	20 ans

EN ISO 13849-1	
PL (Performance Level = niveau de performance)	PL d
CCF (%) (Common Cause Failure = Défaillance de cause commune)	1
MTTFd	4525a
Catégorie	3

EN 62061	
SILCL	SILCL 2

Il se peut que les valeurs ci-dessus ne soient pas atteintes si les conditions environnementales spécifiées pour le CF ne sont pas respectées.



#### AVERTISSEMENT

Couper l'alimentation électrique avant toute intervention sur le CF. La fonction STO ne protège pas contre les tensions au niveau des connecteurs d'alimentation du CF. Lors de l'utilisation de moteurs à aimant permanent, et dans le cas peu probable où plusieurs dispositifs de puissance de sortie tomberaient en panne simultanément, l'arbre du moteur peut effectivement tourner de 180/p degrés (« p » étant le nombre de paires de pôles du moteur).

### Fonctionnement STO

Lorsque l'entrée STO est alimentée, la fonction STO est à l'état de repos. Si le CF reçoit ensuite une commande de démarrage, le compresseur démarre et fonctionne normalement.

Lorsque l'entrée STO n'est pas alimentée, la fonction STO est activée et arrête le CF (moteur en marche à vide). Le CF se trouve alors en mode « Safe Torque Off » ou « désactivation sûre du couple ».

## État et surveillance de la fonction STO

### Affichage CF :

Si l'entrée STO est hors tension (fonction STO activée) en fonctionnement normal du CF (alimenté en courant alternatif secteur, compresseur non en marche), le message « INHIBIT » est affiché sur l'écran du CF. Si le CF s'est mis en sécurité suite à un problème, un message correspondant s'affiche à la place de « INHIBIT ». Si l'entrée STO est énergisée et que l'affichage indique toujours "INHIBIT", il y a un défaut dans l'entrée STO.

### Relais de sortie du CF :

Si l'entrée STO est hors tension, le relais 1 du CF s'ouvre.

### Code d'erreur :

Code d'erreur	Numéro de code	Description
STO-F	29	<ul style="list-style-type: none"> <li>Le circuit de sécurité s'est ouvert pendant le fonctionnement.</li> <li>Erreur interne du circuit de sécurité d'entrée.</li> </ul>

### Temps de réponse de la fonction STO

Il s'agit là du délai entre l'apparition d'un événement pertinent pour la sécurité et le rétablissement de l'état de sécurité après la réaction de tous les composants. (Catégorie d'arrêt 0 selon IEC 60204-1).

- Le temps de réponse entre l'état hors tension de l'entrée STO et un état du CF où aucun moment de force n'est généré dans le moteur (STO activé) est inférieur à 1 ms.
- Le temps de réponse entre l'état hors tension de l'entrée STO et le changement d'état de surveillance est inférieur à 20 ms.
- Le temps de réponse entre la détection d'un défaut dans le circuit STO par le CF et la signalisation du défaut via l'affichage/le relais de sortie est inférieur à 20 ms.

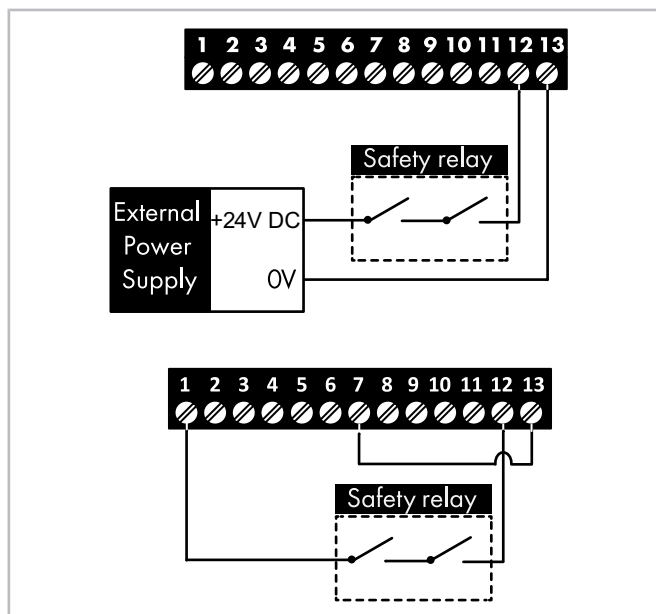
### Raccordement électrique du circuit STO



#### AVERTISSEMENT

Les lignes du circuit STO doivent être protégées contre les courts-circuits involontaires ou toute manipulation qui pourrait entraîner une erreur du signal d'entrée STO.

Outre les instructions de connexion du circuit STO figurant ci-dessous, il convient également de respecter une installation conforme aux exigences CEM. Le CF doit être raccordé comme indiqué ci-dessous. La tension du signal (24 V CC) appliquée à l'entrée STO peut être fournie par l'alimentation 24 V CC du CF ou par une alimentation 24 V CC externe.



#### Information

La longueur maximale du câble entre la source de tension et les bornes du convertisseur ne doit pas dépasser 25 mètres.

### Spécifications pour une alimentation électrique externe

Tension nominale	24 V CC
Logique STO « état haut »	18 ... 30 V CC (STO en mode veille)
Consommation électrique (maximum)	100 mA

### Spécifications pour le relais de sécurité

Le concepteur du système doit s'assurer que l'ensemble du système a fait l'objet d'une évaluation des risques et que les exigences en matière de gestion de la sécurité ont été pleinement respectées.

Si un relais de sécurité est nécessaire, celui-ci doit être sélectionné de sorte à répondre au moins aux normes de sécurité du convertisseur.

Exigences standard	SIL2 ou PLd SC3 ou niveaux de sécurité supérieurs (avec des contacts à guidage forcé)
Nombre de contacts de sortie	2, indépendant
Tension de commutation	30 V CC
Courant de commutation	100 mA

### Test de la fonction STO

Le bon fonctionnement de la fonction STO doit toujours être vérifié avant la mise en service du système :

- Avec le moteur arrêté et une commande d'arrêt envoyée au CF :
  - Mettre hors tension l'entrée STO (le CF affiche « INHIBIT »).
  - Donner la commande de démarrage et vérifier que le CF affiche « INHIBIT ».
- Avec le compresseur en opération normale (via le CF) :
  - Mettre hors tension l'entrée STO (le compresseur s'arrête et le CF affiche « STO-F »).

La fonction STO doit faire partie de la maintenance de routine du système de commande et doit être vérifiée régulièrement (au moins une fois par an) et après toute modification apportée au système de sécurité ou après des travaux de maintenance.

### 5.11 Schémas de principe

Raccorder le convertisseur de fréquences VARIPACK conformément aux schémas de principe. Monter les commutateurs de commande S1 à S4 dans l'armoire électrique.

Le raccordement du moteur du compresseur se fait individuellement en fonction de la variante et du dimensionnement du moteur. Pour plus de détails sur le raccordement moteur, voir les données sur la face interne de la boîte de raccordement du compresseur.

#### Compresseur à piston:

Les schémas de principe intègrent un contrôle d'huile optionnel. Sans un tel dispositif de contrôle, l'élément Delta-PII ou OLC-K1 et les composants S04 et P04 sont supprimés. Dans ce cas, le relais auxiliaire K19 et les pressostats B10 et B11 doivent être intégrés sur le chemin 7 au raccord 14 du B01 (SE-B\*).

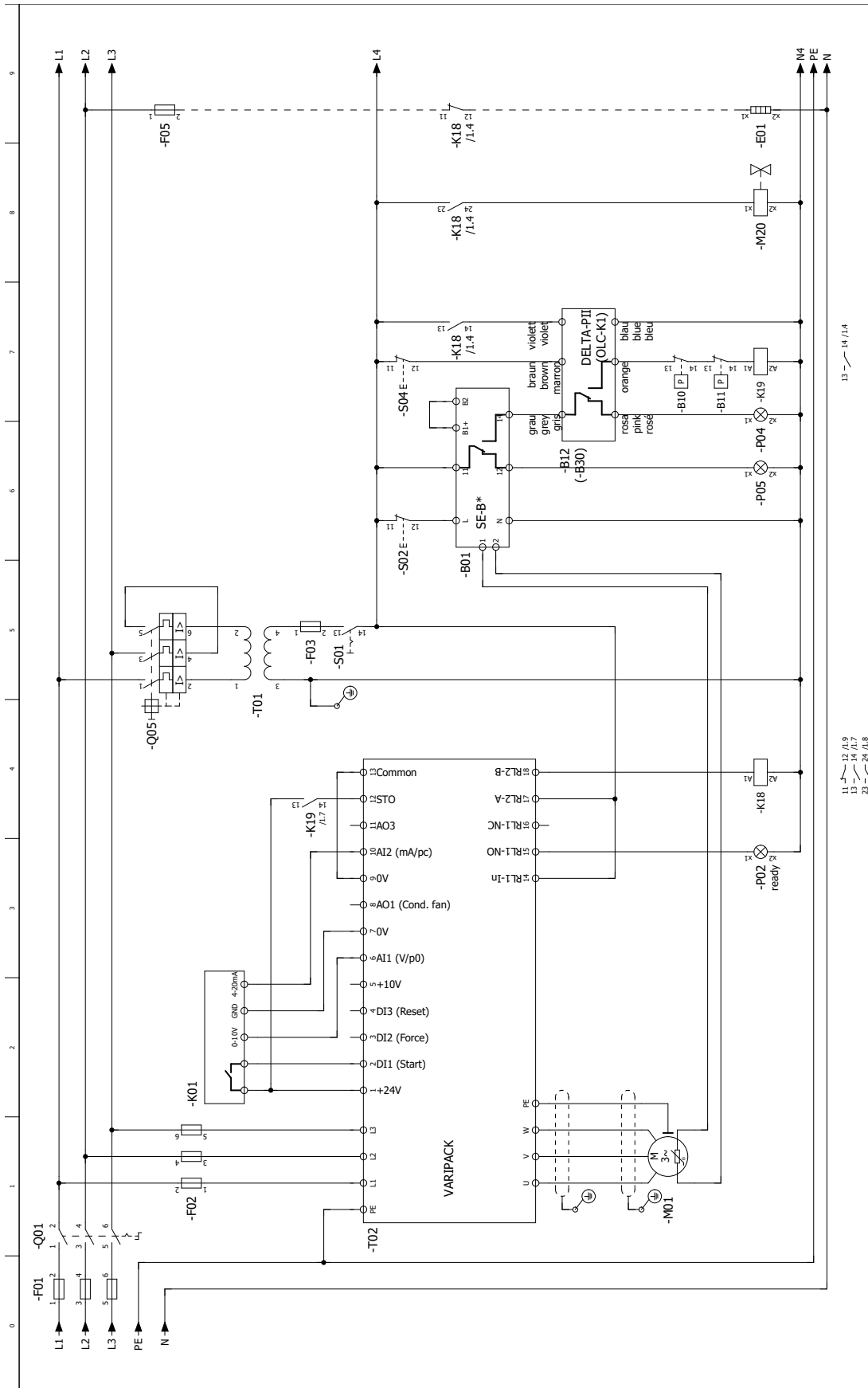


Fig. 14: Schéma de principe du compresseur à piston sans module d'extension.



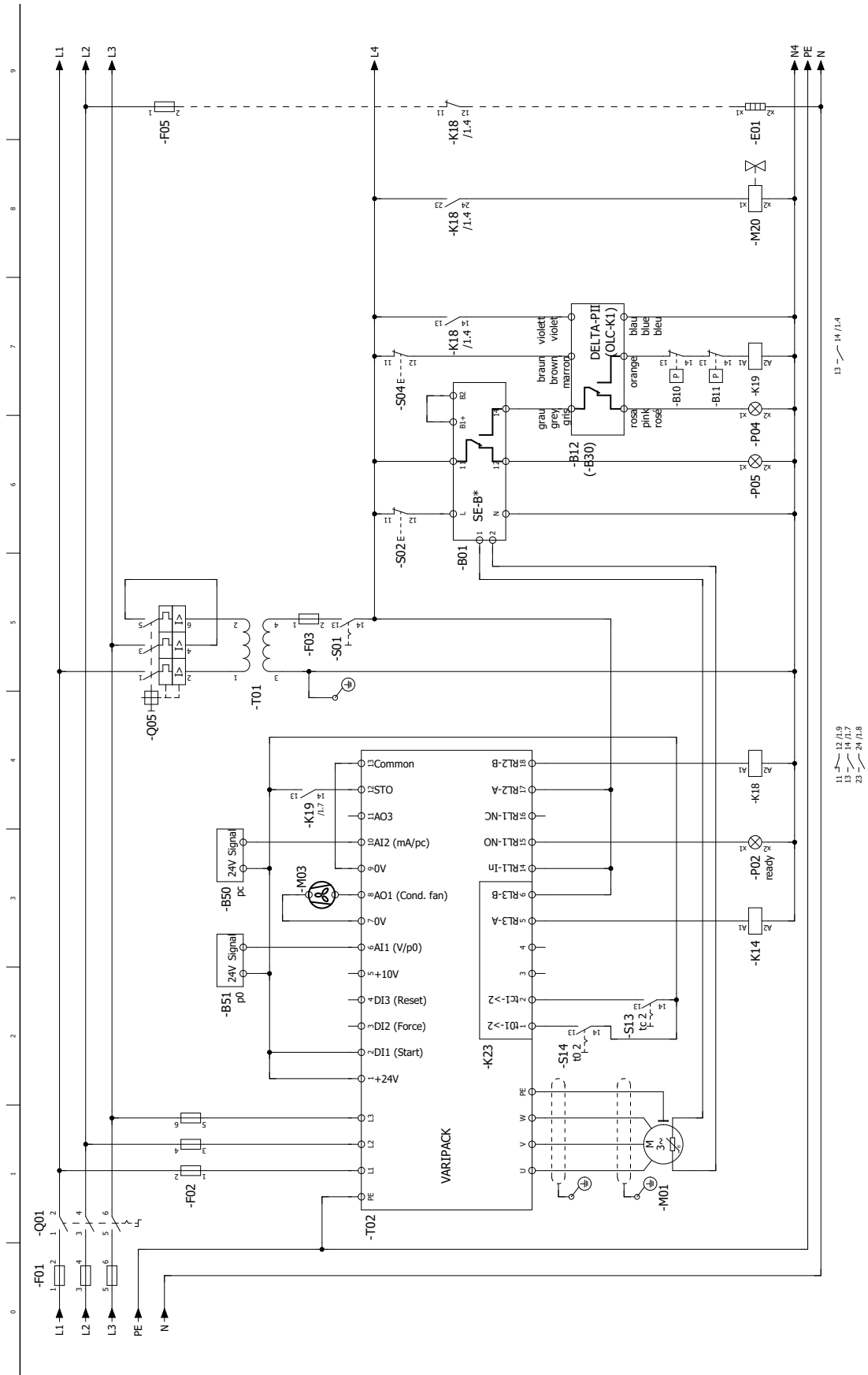


Fig. 15: Schéma de principe du compresseur à piston avec module d'extension.

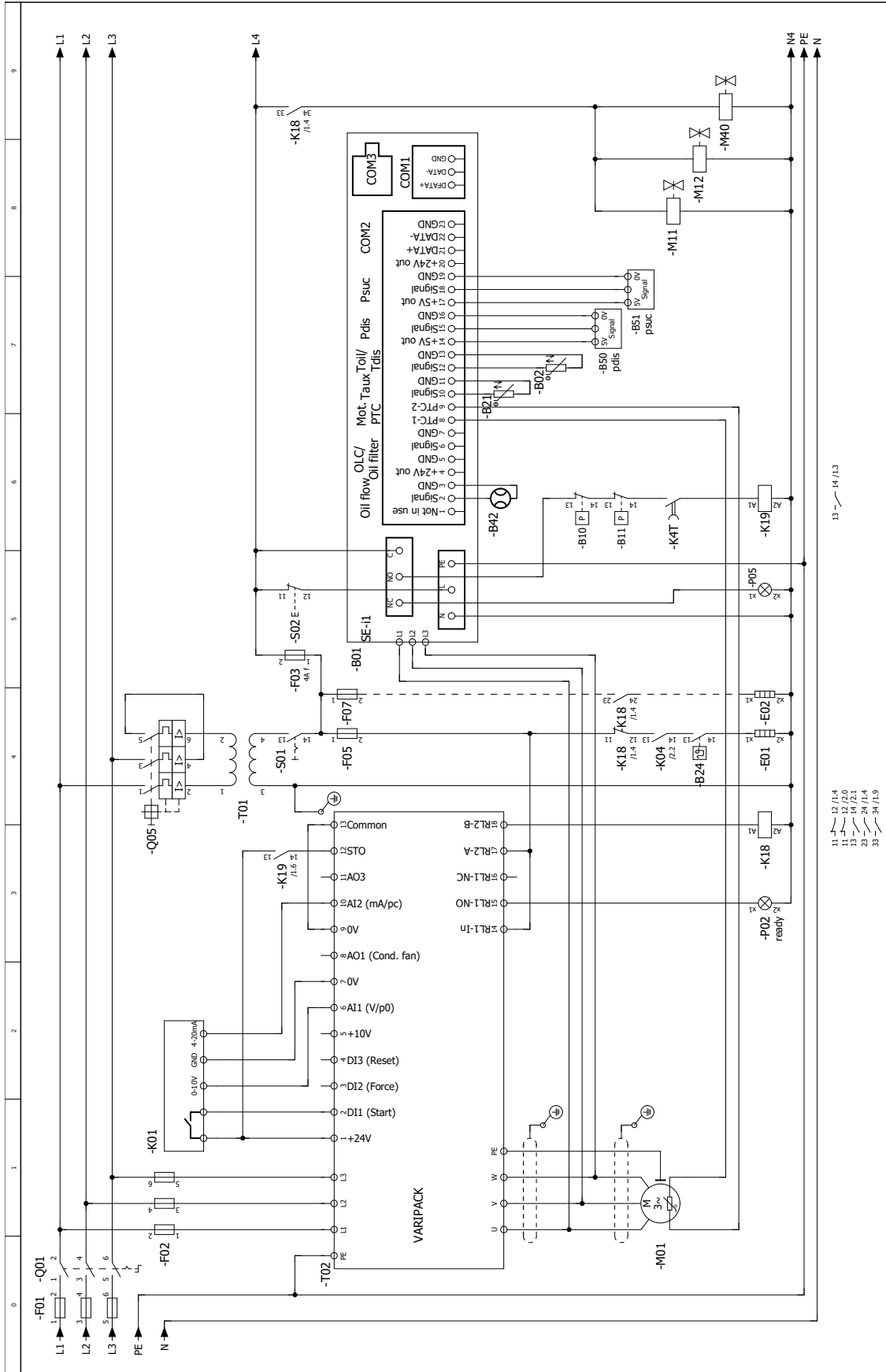


Fig. 16: Compresseurs à vis HS.53 .. HS.74 sans module d'extension (K23)

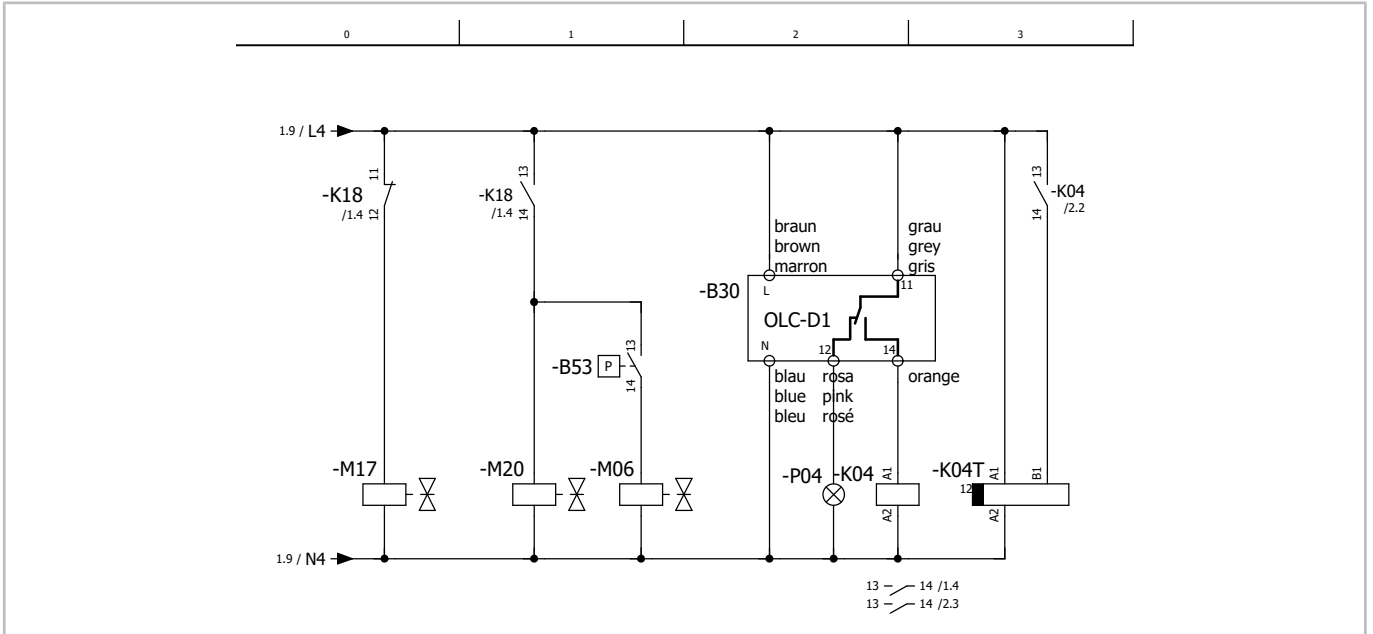


Fig. 17: Contrôle d'huile pour compresseurs à vis HS.53 .. HS.74

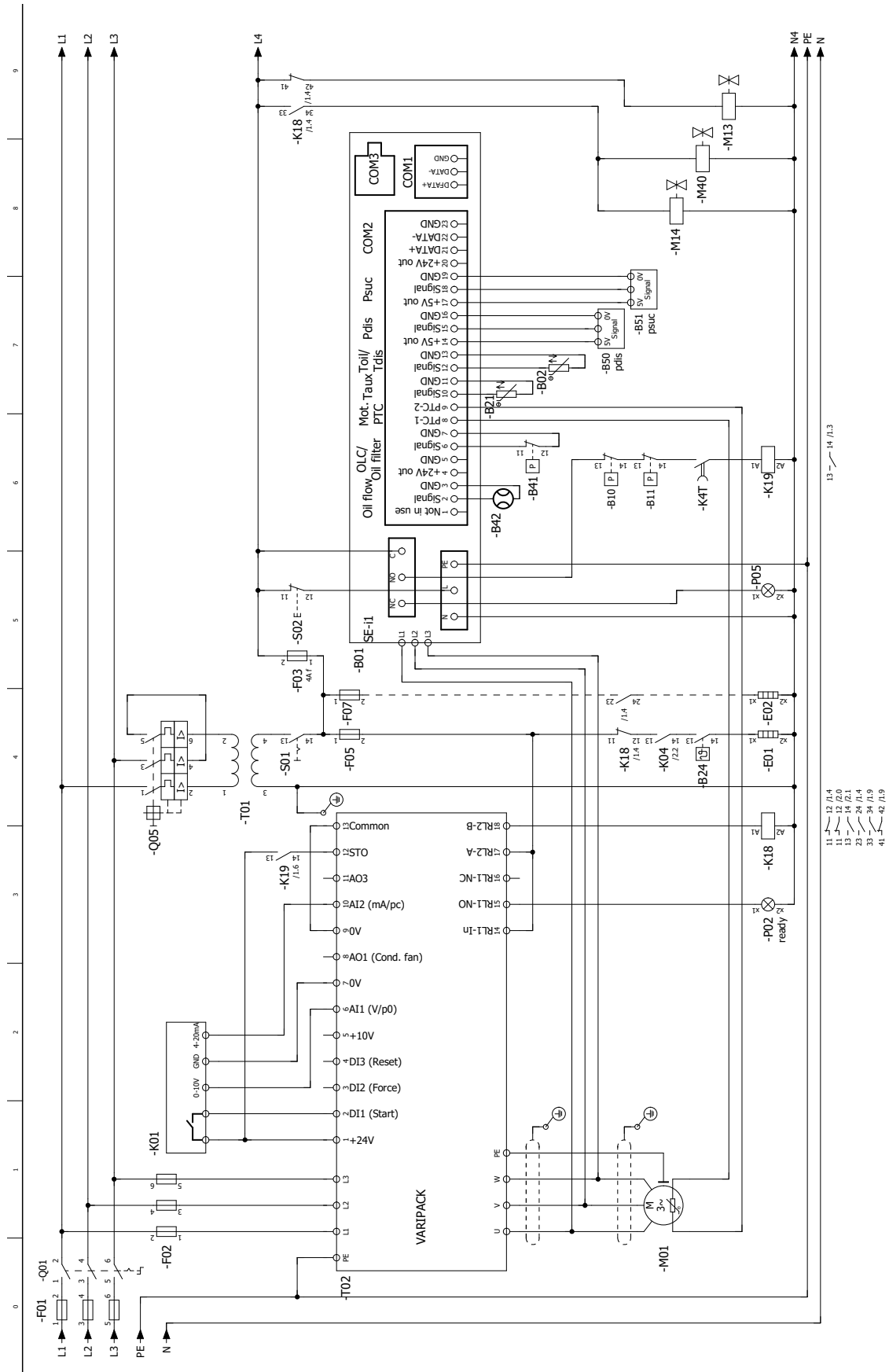


Fig. 18: Compresseurs à vis HS.85 sans module d'extension

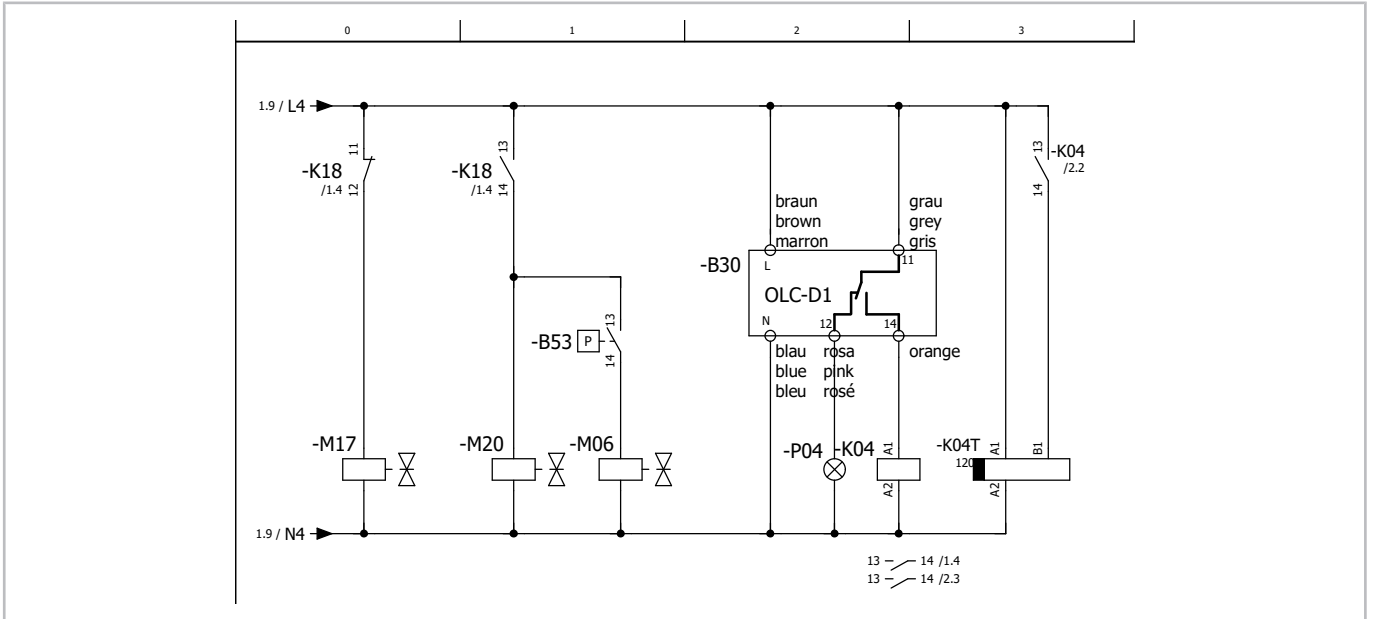


Fig. 19: Contrôle d'huile pour compresseurs à vis HS.85

Abbr.	Composant
B01	Dispositif de protection du compresseur
B02	Sonde de température du gaz de refoulement / d'huile
B10	Pressostat haute pression
B11	Pressostat basse pression
B12	Pressostat différentiel d'huile
B21	Sonde de température optionnelle
B24	Thermostat d'huile
B30	Contrôleur de niveau d'huile
B41	Contrôle du filtre à l'huile
B42	Contrôleur du débit d'huile
B50	Transmetteur de haute pression
B51	Transmetteur de basse pression
B53	Mise en marche d'ECO
E01	Réchauffeur d'huile
E02	Chauffage de la boîte de raccordement
F01	Fusible principal
F02	Fusible du compresseur
F03	Fusible du circuit de commande
F05	Fusible du réchauffeur d'huile
F07	Fusible de chauffage de la boîte de raccordement
K01	Régulateur supérieur
K04	Relais auxiliaire pour contrôle d'huile
K04T	Relais temporisé pour contrôleur de niveau d'huile
K14	Relais auxiliaire
K18	Relais auxiliaire : CF émet tension de puissance/champ tournante pour moteur
K19	Relais auxiliaire : chaîne de sécurité est activée
K23	Module d'extension
M01	Moteur du compresseur
M03	Ventilateur 1
M06	VM pour économiseur (ECO)
M11	VM pour régulateur de puissance 1, CR1, CR+, CRII-2 ou démarrage à vide
M12	VM pour régulateur de puissance 2, CR2, CR- ou CRII-1
M13	VM pour régulateur de puissance 3, CR3 ou CRII-3
M14	VM pour régulateur de puissance CR4
M17	VM pour bipasse d'arrêt
M20	VM pour conduite de liquide
M40	VM pour injection d'huile

Abbr.	Composant
P02	Luminaire : compresseur est prêt à fonctionner
P04	Luminaire : défaut d'alimentation d'huile
P05	Luminaire : défaut du compresseur
Q01	Interrupteur principal
Q05	Fusible du transformateur de commande
S01	Commutateur de commande (marche/arrêt)
S02	Déverrouillage du chaîne de sécurité du compresseur
S04	Déverrouillage du contrôle d'huile
S13	Température de condensation : commutation à la deuxième valeur de consigne
S14	Température d'évaporation : commutation à la deuxième valeur de consigne
T01	Transformateur de commande (exemple pour 230 V, requis suivant à EN60204-1)
T02	Convertisseur de fréquences (CF)

## 6 Fonctions de commande et de régulation

Explications en images des fonctions de commande et de régulation décrites ci-après voir figure 20, page 112.

### Démarrage du compresseur et STO

Pour que le compresseur puisse démarrer, il doit être débloqué (entrée STO fermée), la commande de démarrage doit être active (DI1 fermé) et le « délai entre deux démarrages » (minuteur P0-17) et le « délai entre arrêt et démarrage » (minuteur P0-18) (5 s) du compresseur doivent être expirés.

En cas de régulation au moyen d'un signal de valeur de consigne externe et d'une caractéristique de commande « 0 .. Max », il faut en outre que la valeur de consigne active soit > 1%.

Dès que la commande de démarrage (DI1) est annulée, le compresseur est mis à l'arrêt via les rampes.

Par contre, si le déblocage (STO) est supprimé, il est directement mis à l'arrêt.

### « Rampes »

Pour optimiser le comportement de fonctionnement, il est possible de régler les rampes de vitesse du compresseur (rampe de montée P1-03 et rampe de descente P1-04). Dans le cas de systèmes lents tels que les groupes refroidisseurs de liquide ou encore les installations frigorifiques avec évaporateur, il est recommandé de sélectionner des temps de rampe suffisamment longs, tandis que pour des centrales frigorifiques, des temps de rampe courts peuvent être nécessaires. En dehors de la limitation de la consigne externe, ces rampes définissent le changement de fréquence pour la fonction « Force ».

Pour le démarrage et l'arrêt du compresseur, autrement dit en dessous de la fréquence minimale, les rampes optimales sont enregistrées en permanence dans le convertisseur de fréquences VARIPACK et garantissent un démarrage sûr et fiable du compresseur.

### « Délai entre deux démarrages » (P2-21) (intervalle entre deux démarrages du compresseur)

Le démarrage du compresseur par un convertisseur de fréquences VARIPACK diminue la charge mécanique et l'échauffement du moteur par rapport à un démarrage direct. Plusieurs démarrages du compresseur par heure sont ainsi possibles. Un nombre excessif de démarrages du compresseur devrait néanmoins être évité.

Le « délai entre deux démarrages » limite le nombre maximal de démarrages du compresseur. Si le temps défini n'est pas encore écoulé depuis le dernier démarrage du compresseur, son nouveau démarrage sera re-

porté. Si le compresseur a fonctionné plus longtemps que le « délai entre deux démarrages », il peut être redémarré directement après l'arrêt. En standard, le compresseur est réglé sur le « délai entre deux démarrages » minimal recommandé. Ce délai peut être augmenté à volonté pour améliorer le comportement de fonctionnement de l'installation et accroître l'efficacité du système en évitant les très courts cycles du fonctionnement. Si nécessaire, il est également possible de configurer des valeurs plus courtes que celles recommandées et pré-réglées.

### Relais « compresseur en fonctionnement » (RL2)

Le relais « compresseur en fonctionnement » indique l'état de fonctionnement du compresseur. Il est par exemple possible de l'utiliser pour mettre hors circuit le réchauffeur d'huile ou mettre en circuit le ventilateur additionnel ou encore comme signal pour le détendeur électronique. Le relais se met en circuit en cas de démarrage du compresseur réussi et après que la fréquence minimale a été atteinte et se met hors circuit en cas de passage sous la fréquence minimale.

### « Temps de maintien à la fréquence de maintien après le démarrage » (P2-04 et P2-26)

Dans les installations dotées d'un compresseur et d'une régulation contrôlée de la température, des épisodes de très basse pression peuvent survenir après le démarrage du compresseur. La raison en est que, si le compresseur a démarré rapidement en raison de l'écart important avec la valeur de consigne, le détendeur n'est pas parvenu à le régler assez rapidement. Pour éviter cela, il est possible de régler un intervalle de temps (P2-26) à respecter par le compresseur après le démarrage à fréquence configurable (P2-04) avant de passer en fonctionnement de régulation normal. Le réglage standard est 0 s.

### Fonctionnement avec fréquence « Force » (P2-03)

Dans le cas de conduites longues ou ascendantes, ou d'une conception non optimale de la conduite du gaz d'aspiration, les longues phases de fonctionnement en charge partielle sont susceptibles de causer un déplacement d'huile. Cependant, si la fréquence, et donc le flux massique, augmentent, l'huile peut être déplacée à nouveau vers sa position de départ, empêchant ainsi le compresseur d'être mis hors circuit. Cela peut être rendu possible par la fonction « Force » du convertisseur de fréquences VARIPACK. Si un manque d'huile dans le réservoir d'huile ou le compresseur est signalé, l'entrée numérique DI2 du convertisseur de fréquences VARIPACK peut être activée pour faire fonctionner le compresseur à la fréquence « Force » configurée. Le réglage standard est 50 Hz.

### « Éviter les résonances » (P2-05 .. P2-08)

Si des vibrations se produisent dans le système à certaines fréquences de fonctionnement qui ne peuvent pas être aisément supprimées, il est possible d'exclure ces fréquences. En outre, il est possible de définir deux plages de fréquences dans lesquelles le compresseur ne peut pas rester. Si la valeur de consigne est supérieure à une valeur de départ définie, la fréquence reste sur cette dernière jusqu'à ce que la valeur de consigne ait dépassé la valeur finale et que la plage de fréquences soit dépassée. **Si la valeur de consigne descend en dessous de la valeur finale définie, la fréquence est maintenue jusqu'à ce que la valeur de consigne soit passée en dessous de la valeur de départ.**

### Limiter automatiquement la fréquence maximale

En cas de fonctionnement dans le domaine de l'affaiblissement du champ, le convertisseur de fréquences limite de lui-même la fréquence de service au moment où le courant de service maximal du compresseur ou du convertisseur de fréquences est atteint. Cela permet une conception peu onéreuse du système compresseur/VARIPACK sans risquer que le convertisseur de fréquences ne subisse une défaillance pour cause de surintensité en cas de conditions de fonctionnement inhabituelles (haute température de condensation, mise en service ou démarrage après un arrêt prolongé).

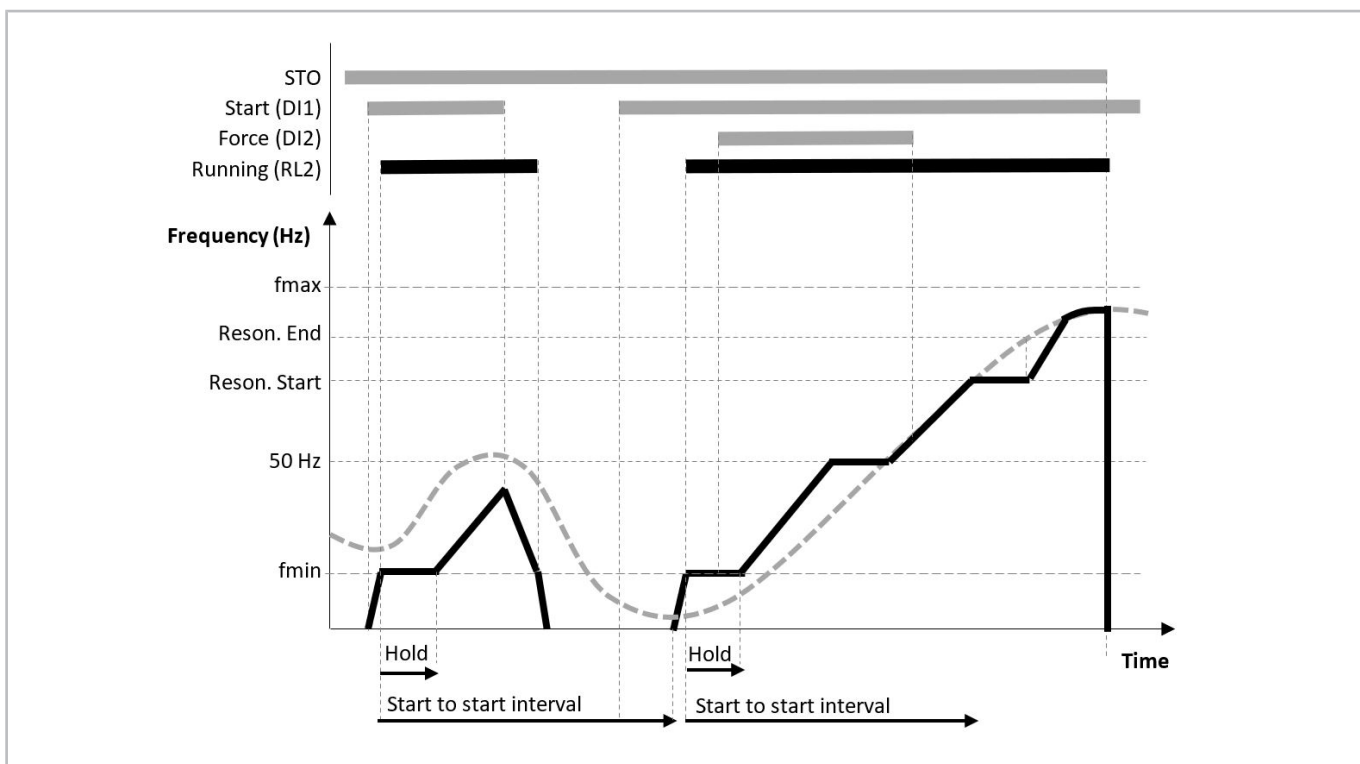


Fig. 20: Représentation graphique des fonctions de commande générales

### 6.1 Module d'extension pour la régulation de la pression

Explications en images des fonctions de commande et de régulation du module d'extension pour la régulation de la pression décrites ci-après voir figure 21, page 114.

#### Fonction de base et réglages minimaux

Si le module d'extension pour la régulation de la pression est relié au convertisseur de fréquences VARIPACK, le mode « régulation de pression » peut être sélectionné via BEST SOFTWARE ou via les para-

mètres P1-12 affichés. Cette configuration permet d'activer les paramètres pertinents pour la régulation de la pression.

Outre les réglages de base, les paramètres suivants doivent être obligatoirement réglés pour permettre une régulation directe :

- Fluide frigorigène
- Température d'évaporation
- Limiteur de température d'évaporation (Pump Down)
- Température de condensation



La commande du compresseur se base sur la logique dite « Pump-Down ». L'entrée numérique pour le démarrage du compresseur (DI1) doit pour cela être fermée en permanence ou un commutateur de commande peut être utilisé pour le déblocage. Le compresseur est mis en circuit quand la température d'évaporation dépasse la valeur de consigne et est en arrêt quand la température d'évaporation passe en dessous de la valeur réglée du limiteur de température d'évaporation (Pump-Down).

En fonctionnement, le convertisseur de fréquences règle la température d'évaporation paramétrée en régulant la fréquence du compresseur ainsi qu'en démarquant/arrêtant le compresseur non contrôlé (relais sur le module d'extension, bornes 5 et 6). En fonction des besoins, la rapidité de la régulation peut être ajusté en réglant la bande P (P3-06) et la bande I (P3-07).

La sortie analogique AO1 (connexion d'un ventilateur de condenseur à vitesse variable) peut être utilisée pour réguler la température de condensation définie via le signal 0 .. 10 V. Pour assurer un fonctionnement aussi efficace que possible, il est recommandé de régler la température de condensation de consigne en fonction de la température de condensation minimale autorisée du compresseur, si l'installation le permet. Si la température de condensation dépasse la valeur de consigne, la vitesse de rotation des ventilateurs est augmentée en conséquence. En ajustant la bande P (P3-13) et la bande I (P3-14) à l'inertie de l'installation, la qualité de régulation peut être optimisée. De plus, si nécessaire, il est possible de régler une vitesse minimale de rotation des ventilateurs.

#### « Valeur de consigne de température d'évaporation 2 » (P3-03)

La commutation de l'entrée DI4 (module d'extension, borne 1) active la valeur de consigne de température d'évaporation 2.

#### « Valeur de consigne de température de condensation 2 » (P3-09)

La commutation de l'entrée DI5 (module d'extension, borne 2) active la valeur de consigne de température

de condensation 2. Cette valeur peut être utilisée, par exemple, comme valeur de consigne pour la récupération de la chaleur.

#### « Limiteur de température de condensation » (P3-11)

Le limiteur de température de condensation réduit la fréquence du compresseur lorsque celui-ci dépasse la température de condensation réglée. Dans de nombreux cas, cela permet d'éviter un arrêt pour cause de haute pression, car la réduction de la fréquence réduit la charge sur le condenseur.

#### « Pressostat électronique basse pression » (P3-05)

La fonction de pressostat basse pression arrête le compresseur s'il passe en dessous de la valeur de pression réglée. Contrairement à l'arrêt par « Pump-Down », il coupe immédiatement le compresseur dès que ce dernier atteint cette valeur limite au lieu de l'éteindre via la rampe. De plus, un défaut est enregistré dans la mémoire de défauts du convertisseur de fréquences. Dès que la consigne de température d'évaporation est dépassée, le compresseur est redémarré.

#### « Pressostat électronique haute pression » (P3-12)

La fonction de pressostat haute pression arrête le compresseur s'il dépasse la valeur de pression réglée. Le réglage standard, qui est également la valeur maximale réglable, correspond à la pression maximale de fonctionnement du compresseur. Le déverrouillage du pressostat haute pression se fait lorsque l'instrument passe en dessous de la température réglée dans le limiteur de température de condensation.



#### Information

La fonction de pressostat électronique haute pression ne remplace pas le pressostat haute pression certifié selon examen de type prescrit par la norme EN378 !

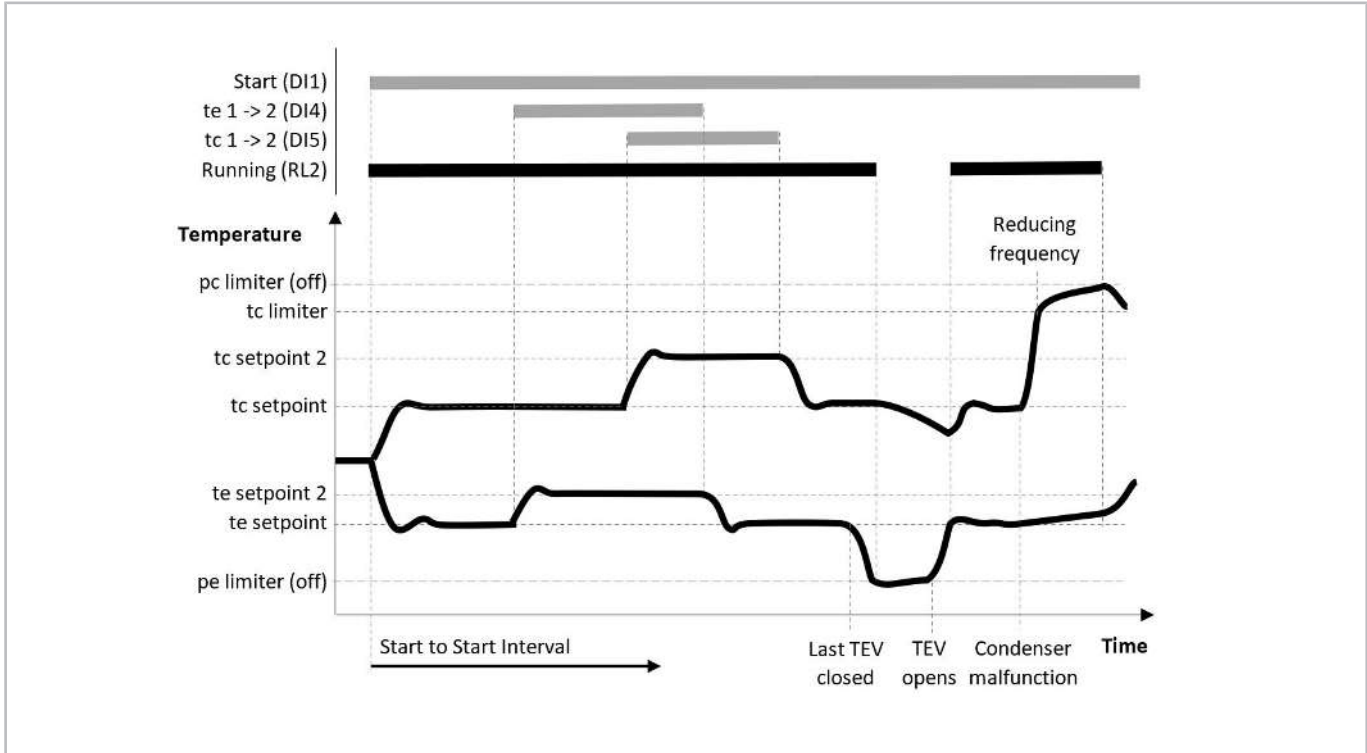
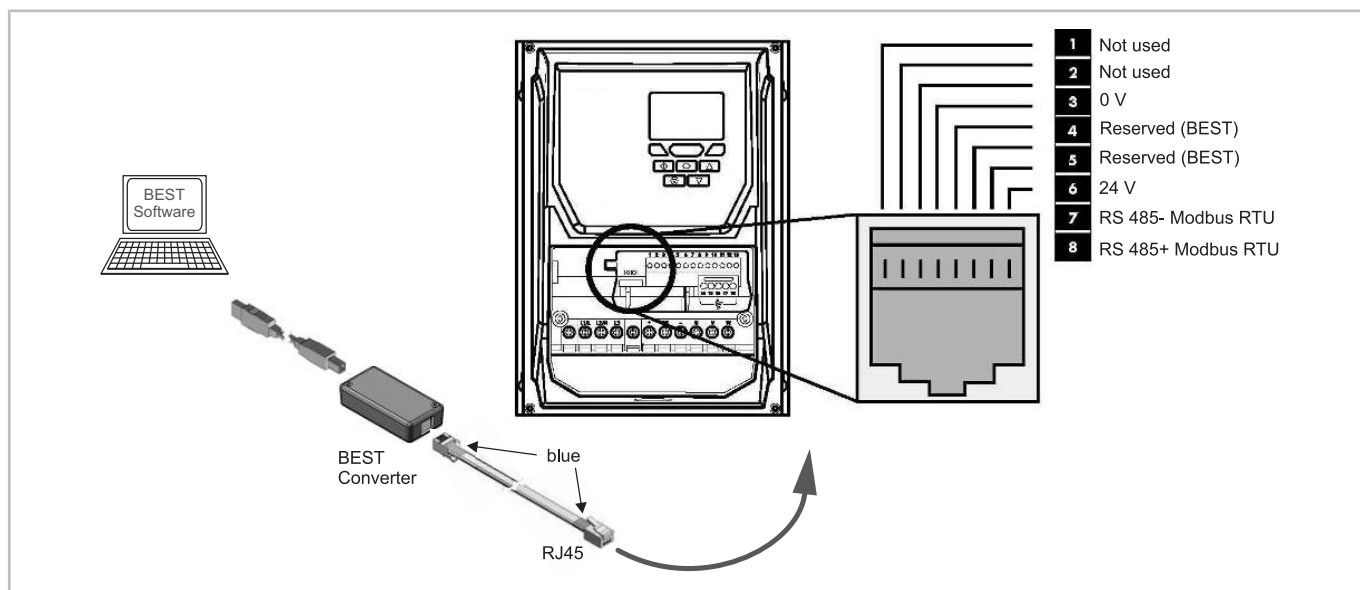


Fig. 21: Représentation graphique des fonctions de commande générales du module d'extension

## 7 Mise en service

### Communication via BEST SOFTWARE

Raccorder le CF à un PC via le convertisseur d'interface BEST et le câble adaptateur RJ45 marqué en bleu.



#### AVIS

Il ne s'agit pas d'une connexion Ethernet. Ne pas le raccorder directement à une interface Ethernet.



#### Information

Si le Modbus RTU est utilisé, s'assurer que le signal 0V (broche 3) est également utilisé pour éviter les erreurs de communication et les tensions de mode commun potentiellement nuisibles.

Voir BEST SOFTWARE, onglet VARIPACK, documentation Modbus

#### Établir la communication avec BEST SOFTWARE pour Windows (voir figure ci-dessus)

- Le CF doit être sous tension de réseau.
- Démarrer BEST SOFTWARE.
- Cliquer sur le bouton NOUVEAU.
- Sélectionner le VARIPACK.
- Cliquer sur le bouton CONNECTER.

La connexion du convertisseur de fréquences VARIPACK au PC est terminée.

#### Configurer le VARIPACK

- Régulation de la puissance du compresseur en fonction d'un signal de valeur de consigne externe :
  - Cliquer sur le bouton CONFIGURATION.

- Cliquer sur le paramètre TYPE DE COMPRESSEUR et sélectionner le compresseur avec le code moteur et le câblage moteur.
- Sélectionner le fluide frigorigène adéquat.
- Sélectionner l'entrée analogique de la valeur de consigne (AI1 : 0 .. 10 V / AI2 : 4 .. 20 mA).
- Sélectionner la caractéristique de commande de la valeur de consigne « Min .. Max » ou « 0 .. Max ».
- Appuyer sur le bouton TRANSFÉRER et sélectionner TRANSFÉRER LES PARAMÈTRES UTILISATEUR VERS LE PÉRIPHÉRIQUE.

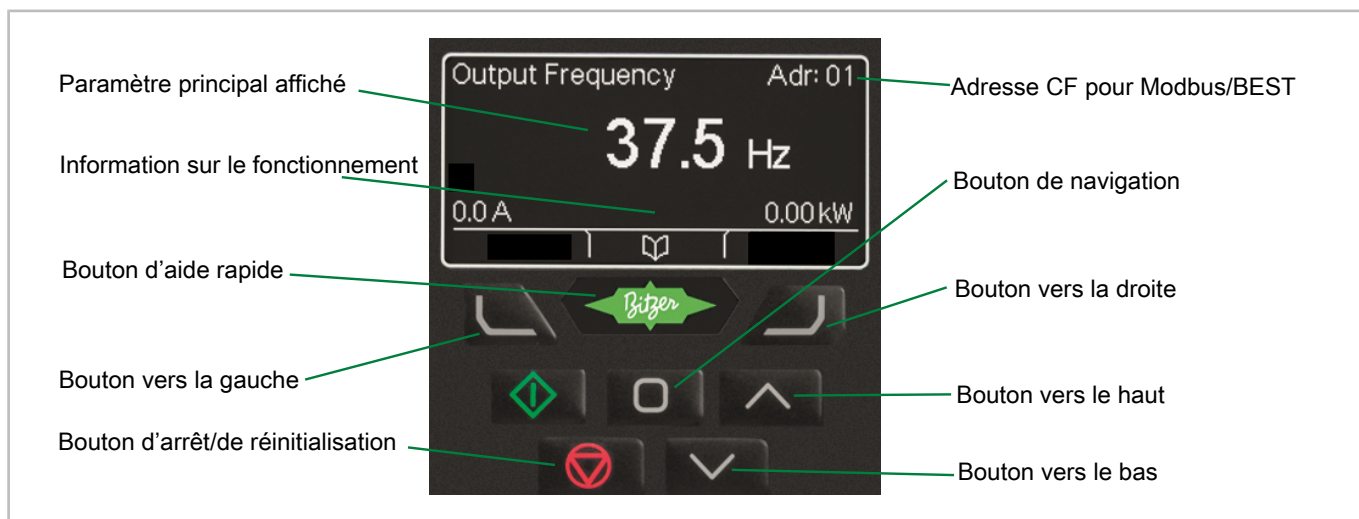
Cela achève la configuration de base.

- Régulation de la puissance du compresseur en fonction de la pression d'évaporation avec le module d'extension pour la régulation de la pression (option) :
  - Procéder comme décrit ci-dessus.
  - Cliquer sur le bouton MODE DE FONCTIONNEMENT et sélectionner « Régulation de pression ».
  - Si nécessaire, ajuster les réglages de température et de pression.
  - Cliquer sur TRANSFÉRER, sélectionner les paramètres, puis cliquer sur TRANSFÉRER LES PARAMÈTRES UTILISATEUR AU DISPOSITIF.

Cela achève la configuration de base.

## 8 Commande

### Réglage via le clavier



**Affichage du paramètre principal** : ce champ affiche le paramètre actuellement sélectionné, par exemple la fréquence du moteur, le courant du moteur, etc.

**Données de fonctionnement** : affichage des principales données de fonctionnement en temps réel, par exemple le courant de sortie et la puissance de sortie.

**Bouton d'aide rapide** : cette fonction permet d'accéder à une brève description des messages affichés.

**Bouton vers la gauche** : le curseur se déplace d'une position vers la gauche.

**Bouton d'arrêt/de réinitialisation** : utilisé pour réinitialiser un CF arrêté suite à un défaut.

**Adresse CF** : adresse de communication sériele du CF définie dans le paramètre P5-01.

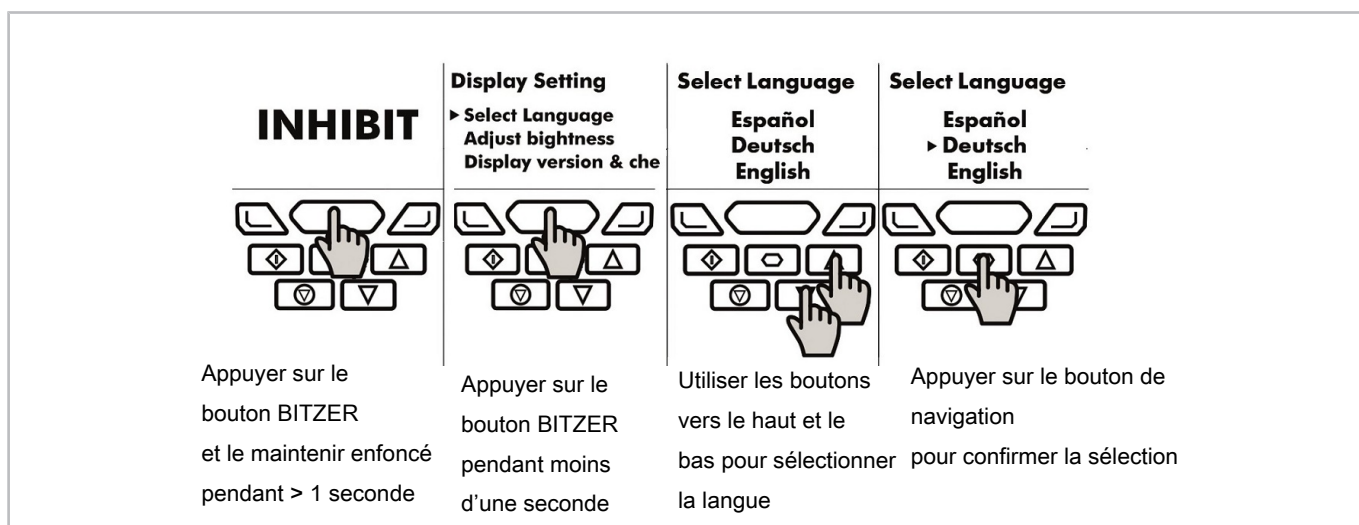
**Bouton de navigation** : permet d'afficher des informations en temps réel, d'accéder au mode paramètres et d'en sortir ainsi que de sauvegarder les modifications des paramètres.

**Bouton vers la droite** : le curseur se déplace d'une position vers la droite.

**Bouton vers le haut** : utilisé pour augmenter les valeurs des paramètres dans le mode de configuration des paramètres.

**Bouton vers le bas** : utilisé pour diminuer les valeurs des paramètres dans le mode de configuration des paramètres.

### Sélection de langue



### Informations supplémentaires affichées

SF↓	23.7Hz	ML	23.7Hz	OL	23.7Hz	STOP
15.3A		15.3A	6.9kW	15.3A	6.9kW	15kW 400V 3Ph
La fréquence de commutation a été réduite en raison de la température élevée du dissipateur de chaleur		La tension du réseau d'alimentation a été coupée		Indique un état de surcharge. Le courant de sortie dépasse le courant nominal du moteur		Le délai entre deux démarrages n'a pas encore expiré


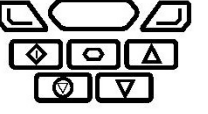
### Modification des paramètres

Stop	P1-01	P1-01	30.0	30.0
15kW 400V 3Ph	50.0Hz	50.0Hz	↑30.0 ↓3.0	↑30.0 ↓3.0
Appuyer sur le bouton de navigation et le maintenir enfoncé pendant > 2 secondes	Utiliser les boutons vers le haut et le bas pour sélectionner le paramètre requis	Appuyer sur le bouton de navigation pendant moins d'une seconde	Ajuster la valeur en utilisant les boutons vers le haut et le bas	Le curseur se déplace d'une position vers la gauche

P1-08	Stop
30.0A	15kW 400V 3Ph
Appuyer sur le bouton de navigation pendant moins d'une seconde pour revenir au menu des paramètres	Appuyer sur le bouton de navigation pendant > 2 secondes pour revenir à l'écran de fonctionnement

### Sélection des groupes de paramètres

Saisir le mot de passe « 8670 » au niveau du paramètre P1-14 pour permettre l'accès aux paramètres avancés. Cela rend visibles des groupes de paramètres supplémentaires qui peuvent être rapidement sélectionnés selon la procédure suivante.

<b>P1-01</b>	<b>P2-01</b>
50.0Hz	5.0Hz
	
<p>Lorsque vous êtes dans le menu de sélection des paramètres, appuyez en même temps sur les boutons de navigation et bouton vers le bas ou sur le bouton de navigation et bouton vers le bas.</p>	<p>Le prochain groupe de paramètres supérieur ou inférieur est sélectionné</p>

### Groupes de paramètres

- P0 - Contrôle
- P1 - Commande du compresseur (fréquence de fonctionnement, rampes, type de commande et niveau d'accès utilisateur)
- P2 - Divers et prévention des résonances
- P3 - Contrôle de la pression/de la température
- P5 - Communication Modbus RTU
- P8 - Commande de centrale frigorifique (2ième compresseur)

## Structure du menu

Visible		Menu structure and default configuration		Notification
Contrôle externe	Régulation de la pression			
Opérateur		P0		Supervision
Opérateur		P0-01	Point de consigne AI1/ BP x.x %	0..10 V Point de consigne ou BP (AI1)
Opérateur		P0-02	Point de consigne AI2/ HP x.x %	4..20 mA Point de consigne ou HP (AI2)
Opérateur		P0-03	État des entrées digitales xxxx	DI7 / DI6 / DI5 / DI4 / DI3 / DI2 / DI1
Opérateur		P0-04	Consigne régl. de puissance x.x Hz	Consigne régl. de puissance
Opérateur		P0-05	Basse pression x.xx bar	Basse pression
Opérateur		P0-06	Haute pression x.xx bar	Haute pression
Opérateur		P0-07	Température coupure BP xx.x °C	Temperature saturé de la valeur de coupure du pressostat basse pression
Opérateur		P0-08	Température coupure HP xx.x °C	Temperature saturé de la valeur de coupure du pressostat haute pression
Opérateur		P0-11	Tension moteur xxx V	Tension moteur
Opérateur		P0-12	Couple de sortie x.x %	Couple de sortie
Opérateur		P0-13	Last 4 Faults wit FI-operat. hours xx	4 derniers défauts avec heures de fonctionnement FI
Opérateur		P0-16	Temp. du module de contrôle xx.x °C	Température du dissipateur thermique
Opérateur		P0-17	Temps entre deux démarrages xxx s	Temps entre deux démarrages
Opérateur		P0-19	Temps de fonctionnement xxx h	Temps de fonctionnement
Opérateur		P0-20	Tension de liaison DC xxx V	Tension de liaison DC
Opérateur		P0-21	Ondulation de tension bus DC xxx V	Ondulation de tension bus DC
Opérateur		P0-25	Fréquence du compresseur x.x Hz	Fréquence du compresseur
Opérateur		P0-26	Compteur d'énergie (kWh) xxx kWh	Compteur d'énergie (kWh)
Opérateur		P0-27	Compteur d'énergie (MWh) xxx MWh	Compteur d'énergie (MWh)
Opérateur		P0-28	Version du firmware x.xx	Version du firmware
Opérateur		P0-29	Drive type xxxx	Drive type
Opérateur		P0-30	Numéro de série du variateur xxxxxxxxxxxxxxxxxxxx	Numéro de série du variateur
Opérateur		P0-31	Temps de fonctionnement comp. x h xx m xx s	Temps de fonctionnement comp.
Opérateur		P0-32	Run time depuis dern. alarme (1) x h xx m xx s	Run time depuis dern. alarme (1)
Opérateur		P0-33	Run time depuis dern. alarme (2) x h xx m xx s	Run time depuis dern. alarme (2)
Opérateur		P0-34	Run time depuis dern. activation x h xx m xx s	Run time depuis dern. activation
Opérateur		P0-35	Tps fonctionnement cooling fan xx h	Tps fonctionnement cooling fan
Opérateur		P0-41	Compteur surintensité xx	Compteur surintensité
Opérateur		P0-42	Compteur surtension xx	Compteur surtension
Opérateur		P0-43	Compteur sous tension xx	Compteur sous tension

Fig. 22: Structure du menu, partie 1

Opérateur	P0-44	Compteur surchauffe dissipateur XX	Compteur surchauffe dissipateur
Opérateur	P0-46	Compteur temp. carte contrôle XX	Compteur temp. carte ontrôle
Opérateur	P0-49	Compteur Modbus comms fault XX	Compteur Modbus comms fault
Opérateur	P0-50	Informations compresseur XX	Informations compresseur
Opérateur	P0-59	Température d'évaporation XX.X °C	Température d'évaporation (Température au point de rosé)
Opérateur	P0-60	Température de condensation XX.X °C	Température de condensation (Température au point de rosé)
Opérateur	P0-61	Nombre de reset temporisé XX	Redémarrages restants
Opérateur	P0-62	Temps de reset automatique X S	Temps de récupération restant
Opérateur	P0-65	Temps de marche variateur X h XX m XX s	Temps de marche variateur
Opérateur	P0-70	ID du module X	ID du module
Opérateur	P0-72	Temp. module de contrôle XX °C	Temp. module de contrôle
Opérateur	P0-74	Tension entrée L1 XXX V	Tension entrée L1
Opérateur	P0-75	Tension entrée L2 XXX V	Tension entrée L2
Opérateur	P0-76	Tension entrée L3 XXX V	Tension entrée L3
Opérateur	P1		Contrôle du compresseur
Technicien	P1-01	Fréquence maximale XX.X HZ	Fréquence maximale
Technicien	P1-02	Fréquence minimale XX.X HZ	Fréquence minimale
Technicien	P1-03	Temps de la rampe de montée X.X S	Temps de la rampe de montée
Technicien	P1-04	Temps de la rampe de descente X.X S	Temps de la rampe de desoente
Technicien	P1-12	Mode de fonctionnement X	Mode de fonctionnement
Technicien	P1-13	Fonction entrée analogique X	Source d'entrée analogique
Opérateur	P1-14	Accès au menu étendu XXXX	Accès au menu étendu
Technicien	P2		Divers et Évitemment des résonances
Technicien	P2-03	Forcer la fréquence XX.X HZ	Forcer la fréquence
Technicien	P2-04	Maintien à la fréq. après dém. XX.X HZ	Maintien à la fréq. après dém.
Technicien	P2-05	Plage de fréquence 1: Fin XX.X HZ	Plage de fréquence 1: Fin
Technicien	P2-06	Plage de fréquence 1: Début XX.X HZ	Plage de fréquence 1: Début
Technicien	P2-07	Plage de fréquence 2: Fin XX.X HZ	Plage de fréquence 2: Fin
Technicien	P2-08	Plage de fréquence 2: Début XX.X HZ	Plage de fréquence 2: Début
Technicien	P2-15	Logique du relai 1 (RL1) 0	Logique du relai D01
Technicien	P2-21	Temps entre deux démarrages XXX S	Temps entre deux démarrages
Technicien	P2-26	Maintien à la fréq. min. après dém X.X S	Maintien à la "Maintien à la fréq. après dém."

Fig. 23: Structure du menu, partie 2



Technicien		P2-27	Type de contrôle de consigne X	Caractéristique de commande du point de consigne
Technicien		P2-37	Temps de reset automatique XXX S	Intervalle de réinitialisation temporisée
Technicien	P3			Contrôle pression/température
Technicien		P3-01	Unités de dimensions X	Unités de dimensions
Technicien		P3-02	Température d'évaporation XX.X °C	Température d'évaporation
Technicien		P3-03	2ème point de consigne évap XX.X °C	Point de consigne 2 de la température d'évaporation (DI4), par ex. Mode nuit
Technicien		P3-04	Coupure pump down XX.X °C	Température de coupure Pump down
Technicien		P3-05	Pressostat BP X.XX bar	Pressostat BP
Technicien		P3-06	P-Gain du contrôleur X.X	Un plus haute P-Gain engendre un contrôle plus rapide.
Technicien		P3-07	I-Gain du contrôleur X.X	Vitesse maximale ventilateur
Technicien		P3-08	Température de condensation XX.X °C	Température de condensation
Technicien		P3-09	Température HP, Consigne 2 XX.X °C	Consigne 2, température de condensation (DI5)
Technicien		P3-11	Limiteur température HP XX.X °C	Limiteur de température de condensation (la fréquence du compresseur va être réduite)
Technicien		P3-12	Pressostat HP XX.XX bar	Pressostat HP
Technicien		P3-13	P-Gain du contrôleur X.X	Un plus haute P-Gain engendre un contrôle plus rapide.
Technicien		P3-14	I-Gain du contrôleur X.X	I-Gain du contrôleur
Technicien		P3-15	Vitesse maximale ventilateur XX %	Vitesse maximale ventilateur
Technicien		P3-16	Vitesse minimale du ventilateur XX %	Vitesse minimale du ventilateur
Technicien	P5			Communication Modbus RTU
Technicien		P5-01	Modbus RTU: adresse X	Modbus RTU: adresse
Technicien		P5-03	Modbus RTU : Baud rate X	Modbus RTU : vitesse de transmission (Baud rate)
Technicien		P5-04	Modbus RTU: Parité / Bit d'arrêt X	Modbus RTU: parité et bit d'arrêt
Technicien		P5-05	Modbus RTU : Temporisation X	Modbus RTU : Temporisation
Technicien		P5-06	Modbus RTU: Fonction de temp. X	Modbus RTU: fonction de temporisation
Technicien	P8			contrôleur de centrale
Technicien		P8-04	Temporisation de démarrage XX S	Temporisation de mise en marche pour le compresseur à vitesse fixe
Technicien		P8-05	Temporisation de mise à l'arrêt XX S	Temporisation de mise à l'arrêt pour le compresseur à vitesse fixe

Fig. 24: Structure du menu, partie 3

## 9 Messages de défaut et fonctions de contrôle

### Description des types de défauts :

Déverrouillage temporisé :

- Les défauts de réinitialisation temporisée se déverrouillent automatiquement jusqu'à 5 fois. Si le défaut n'est plus actif et que la temporisation paramétrée correspondante s'est écoulée, le compresseur peut redémarrer. Le réglage d'usine de « l'intervalle pour les réinitialisations temporisées » est de 300 s. Des intervalles plus courts ne doivent être définis que dans les systèmes dotés d'un régulateur supérieur avec gestion des alarmes. Chaque défaut de « réinitialisation temporisée » augmente le compteur de déverrouillages temporisés de 1.
- Chaque heure de fonctionnement du compresseur, le compteur de déverrouillages temporisés est réduit de 1. Lorsqu'une commande de déverrouillage est donnée (bouton de réinitialisation sur l'afficheur, entrée numérique DI3, Modbus, redémarrage du CF), le compteur est remis à 0.

« External resets » :

- Les défauts du type « External reset » sont réinitialisés quand le défaut n'est plus actif et qu'une commande de déverrouillage est reçue. La commande de déverrouillage peut être exécutée en appuyant sur le bouton rouge du panneau de commande, via l'entrée numérique DI3 ou via Modbus.

Pour une liste des causes possibles d'un défaut et des instructions pour régler le problème, voir BEST SOFTWARE.

## 10 Maintenance



### DANGER

Tensions très dangereuses à l'intérieur du corps du convertisseur de fréquences !



Tout contact peut provoquer des blessures graves ou la mort.

Ne jamais ouvrir le corps du CF en cours de fonctionnement ! Mettre l'interrupteur principal hors circuit et le sécuriser contre toute remise en marche.

Attendre au moins 10 minutes jusqu'à ce que tous les condensateurs soient déchargés !

Avant la remise en marche, fermer le corps du CF.

### Personnel spécialisé autorisé

Les travaux de maintenance ne doivent être effectués que par des personnes qualifiées en électricité. Les directives en vigueur à cet effet déterminent la qualification et la compétence nécessaires du personnel spécialisé.



### Information

Pour des raisons de garantie, de fiabilité et de qualité, les réparations sur ce dispositif ne doivent être effectuées que par un personnel spécialisé qualifié. Sauf indication contraire, les convertisseurs de fréquences VARIPACK ne doivent pas être démontés.

### Travaux de maintenance réguliers et préventifs

Dans le cadre de travaux de maintenance réguliers sur l'installation :

- Vérifier que les ventilateurs du dissipateur de chaleur (s'il est monté) tournent sans à-coups et sont exempts de poussière.
- En cas de montage dans une armoire électrique : Contrôler les éléments filtrants de l'armoire électrique ; si nécessaire, les nettoyer ou les remplacer.



### ATTENTION

En fonctionnement, le dissipateur de chaleur du convertisseur de fréquences devient chaud.

Risque de brûlures en cas de contact !



Avant tout travail sur le convertisseur de fréquences, couper l'alimentation électrique et attendre au moins 15 minutes que le dissipateur de chaleur ait refroidi.

---

**80061601 // 06.2021**

Subject to change  
Änderungen vorbehalten  
Toutes modifications réservées

**BITZER Kühlmaschinenbau GmbH**  
Peter-Schaufler-Platz 1 // 71065 Sindelfingen // Germany  
Tel +49 7031 932-0 // Fax +49 7031 932-147  
[bitzer@bitzer.de](mailto:bitzer@bitzer.de) // [www.bitzer.de](http://www.bitzer.de)